

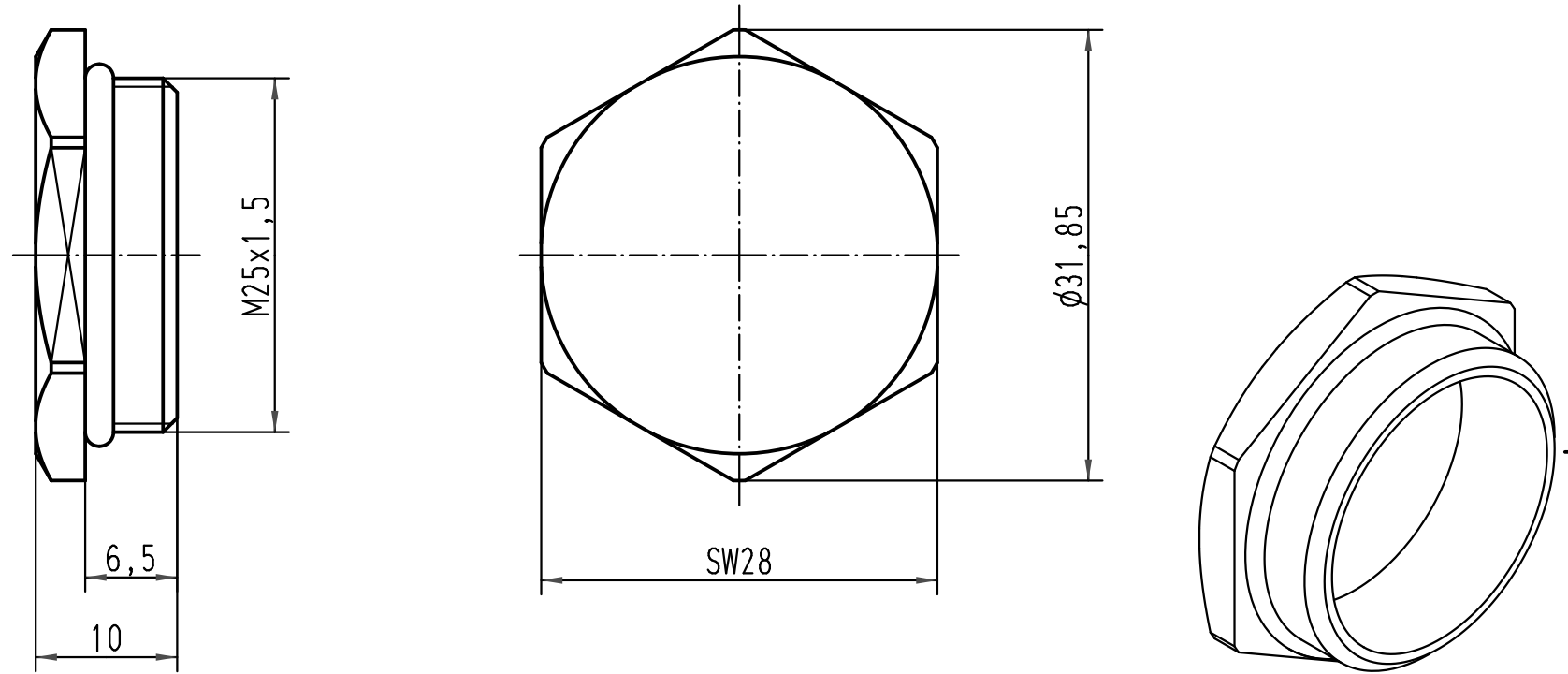
1 2 3 4 5 6

A

B

C

D



		All Dimensions in mm Original Size DIN A 4		Techn. Character.		Nicht tolerierte Maße/ Free size tolerances	
				Dat. 14.04.10	Name Rull	Maßstab/ Scale 2:1	Blindstopfen M25 blanking piece M25
				Insp.	Sch		
				Stand.			
A		HARTING Electric GmbH & Co. KG D-32339 Espelkamp				TB 19 00 000 5071	
Mod.	Dat.	Name			Sub. TB 19 00 000 5071 v. 14.11.03		Blatt/ page

Mouser Electronics

Authorized Distributor

Click to View Pricing, Inventory, Delivery & Lifecycle Information:

[HARTING:](#)

[19000005071](#)