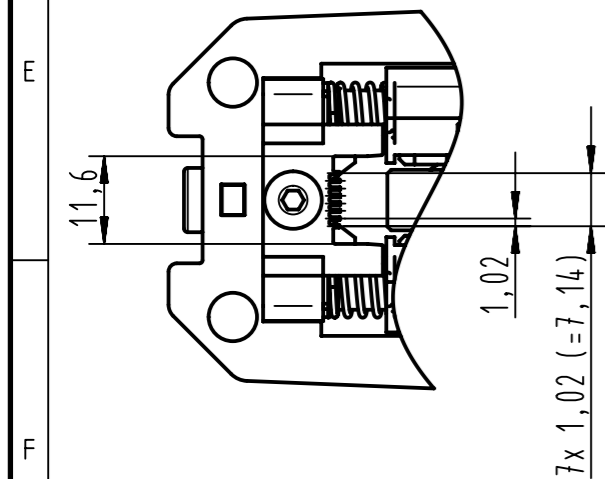


Linearer Hub  
 Straight action principle  
 Entriegelbare Zwangssperre  
 Ratchet release

Anwendungsbereich: 'HARTING RJ Industrial' Gigalink Cat. 6<sub>A</sub> Kompakt-Steckverbinder'  
 Application range: 'HARTING RJ Industrial' Gigalink Cat. 6<sub>A</sub> Compact connectors'

Leiterquerschnitt: AWG 28/7-24/7 (0,10-0,25mm<sup>2</sup>)  
 Cross section range: AWG 28/7-24/7 (0,10-0,25mm<sup>2</sup>)



	All rights reserved	Created by WAERMKER	Inspected by HAERTLING	Standardisation KOHLER	Date 2012-10-10	State Final Release
	Department EC PD - DE	Title RJ45 Gigalink Cat6A Compact Assembly Tool				Doc-Key / ECH-Nr. 100508211/UGD/000/A
HARTING Electronics GmbH D-32339 Espelkamp		Type TB	Number 09458000025		Rev. A	Page 1/1

# Mouser Electronics

Authorized Distributor

Click to View Pricing, Inventory, Delivery & Lifecycle Information:

[HARTING:](#)

[09458000025](#)