

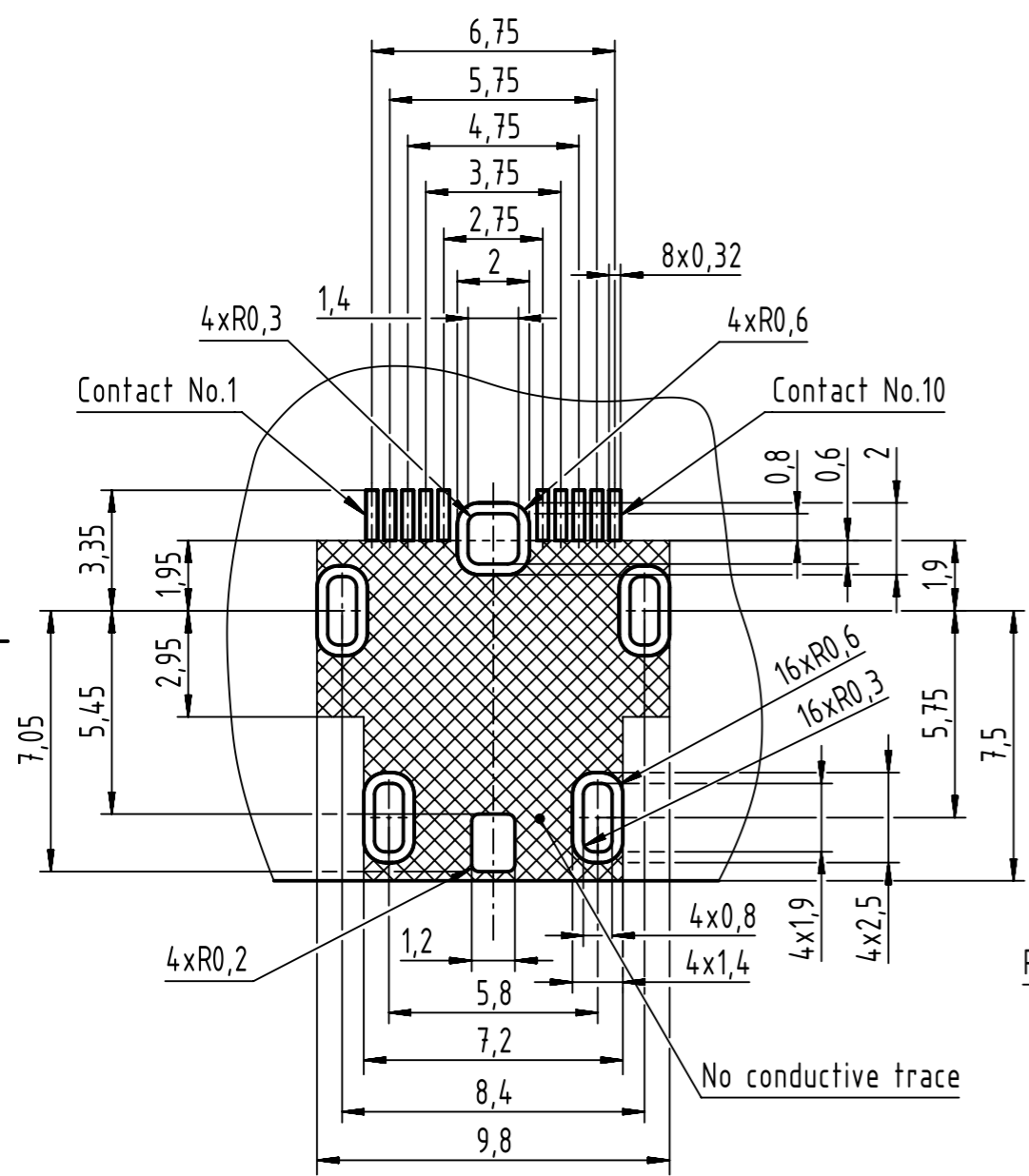
Contact No.	Signal	
	10/100 Mbit/s	1/10 Gbit/s
1	TX+	BI DA+
2	TX-	BI DA-
3	N.C.	GND
4	N.C.	BI DC+
5	N.C.	BI DC-
6	RX+	BI DB+
7	RX-	BI DB-
8	N.C.	GND
9	N.C.	BI DD+
10	N.C.	BI DD-

09452812560: Tape & reel packaging (400 pcs.)
09452812560333: Single packaging (1 pcs.)

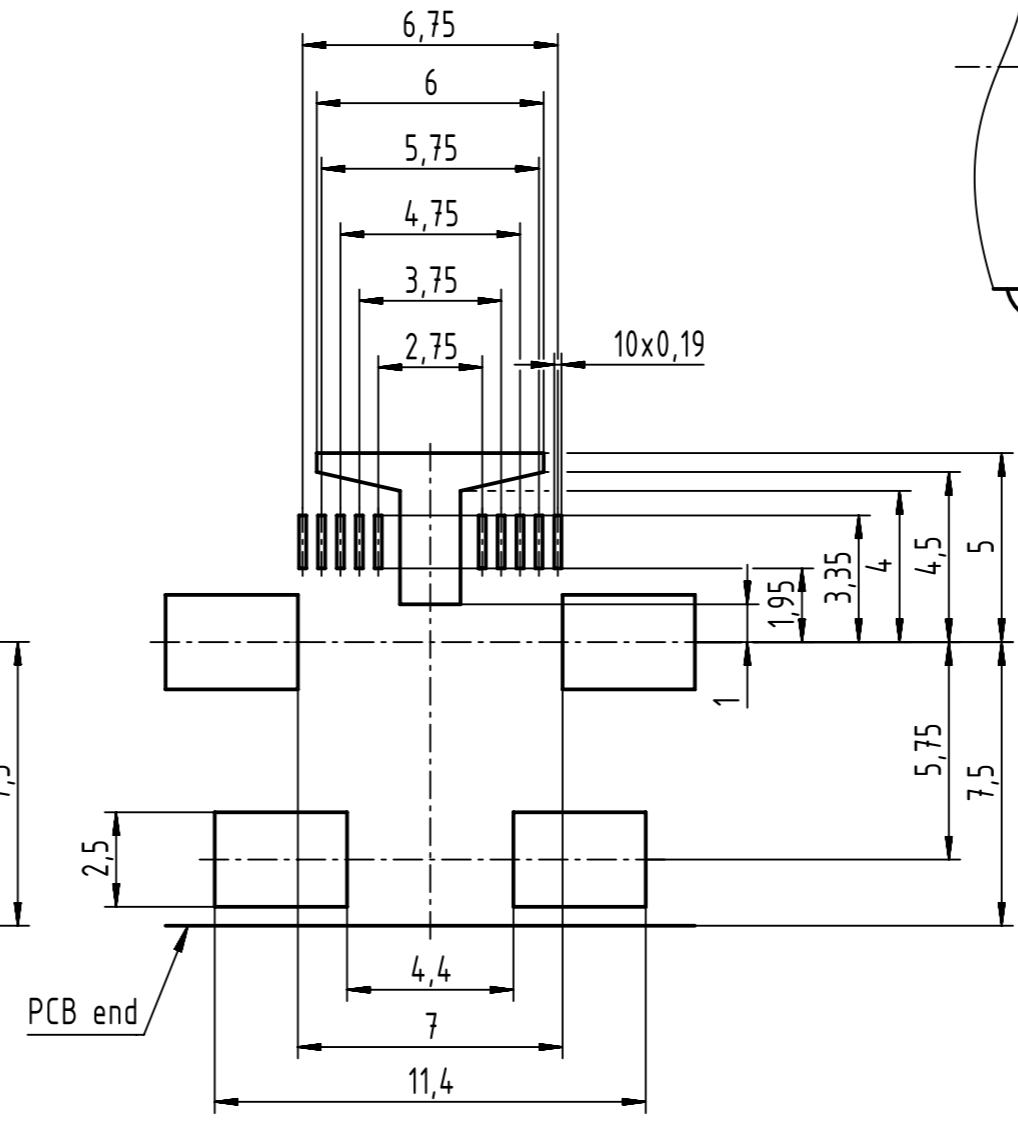
This product is mounted by reflow soldering.
Contact material: copper alloy
Contact area: Gold 0.2µm min.
Lead area: Gold 0.03µm min.
Under plating: Nickel 2µm min.

	All rights reserved	Created by POPESCU	Inspected by PRIESTER	Standardisation HOFFMANN	Date 2018-08-27	State Final Release	Ref. Sub.
	Department EL PD	Title ix Industrial 10A-1 jack AV (T&R400)				Doc-Key / ECM-Nr. 100695472/UGD/000/C 500000138273	
HARTING Electronics GmbH D-32339 Espelkamp		Type TB	Number 09452812560		Rev. C	Page 1/2	

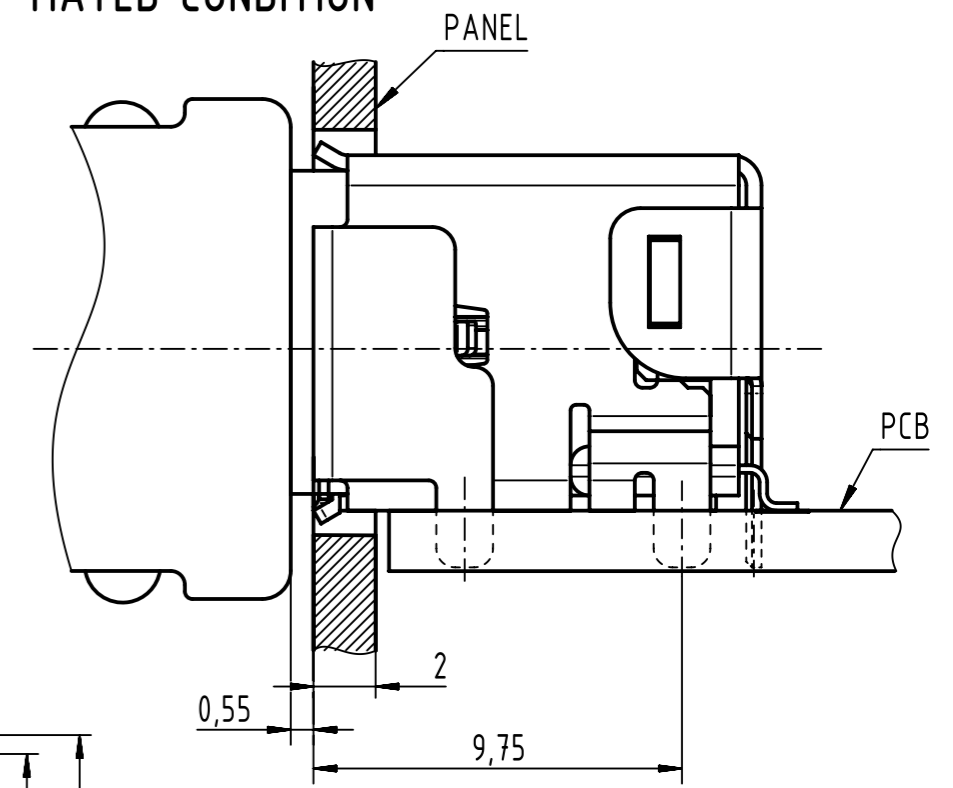
Reference PCB Layout (t=1.6)



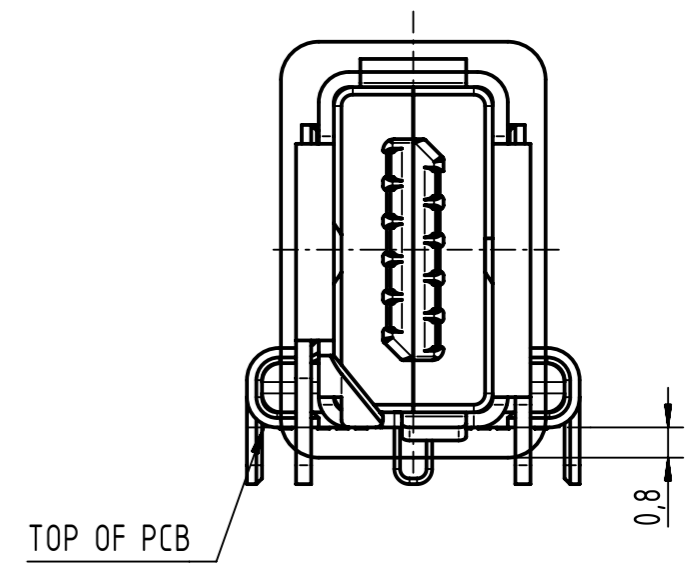
Reference Metal Mask Layout (t=0.15)



MATED CONDITION



REFERENCE DIMENSIONS OF PANEL CUT OUT



	All rights reserved		Created by POPESCU		Inspected by PRIESTER		Standardisation HOFFMANN		Date 2018-08-27		State Final Release		
	Department EL PD		Title ix Industrial 10A-1 jack AV (T&R400)		Doc-Key / ECM-Nr. 100695472/UGD/000/C 500000138273		Rev. C		Page 2/2				
HARTING Electronics GmbH D-32339 Espelkamp		Type TB		Number 09452812560									

Mouser Electronics

Authorized Distributor

Click to View Pricing, Inventory, Delivery & Lifecycle Information:

[HARTING:](#)

[09452812560333](#) [09452812560](#)