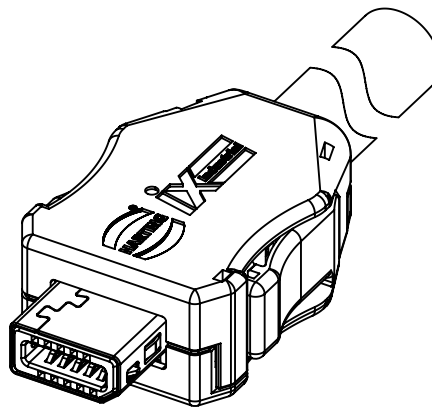
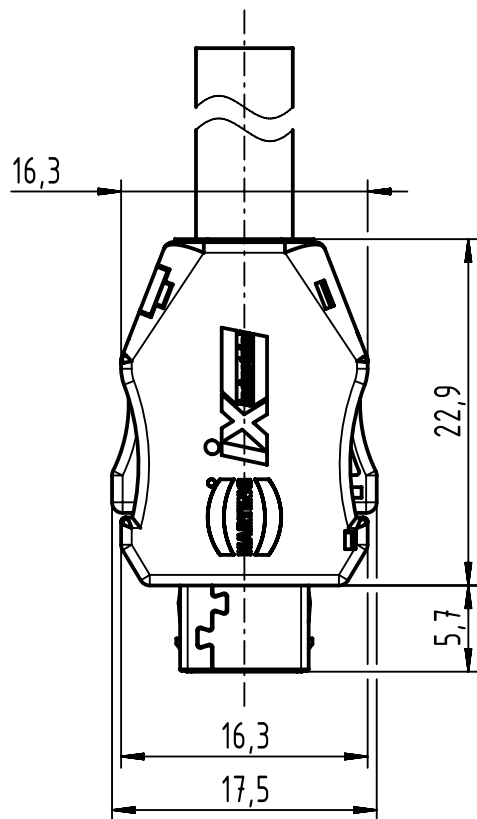



### Applicable cable

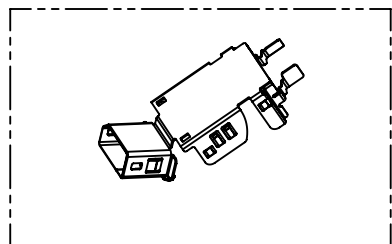
Items	Applicable condition
Conductor size	AWG 24
Insulation O.D.	Ø1.1 to 1.25 mm
Braid Shield	Tin plating
Sheath O.D.	Ø6.3mm - Ø7.2mm



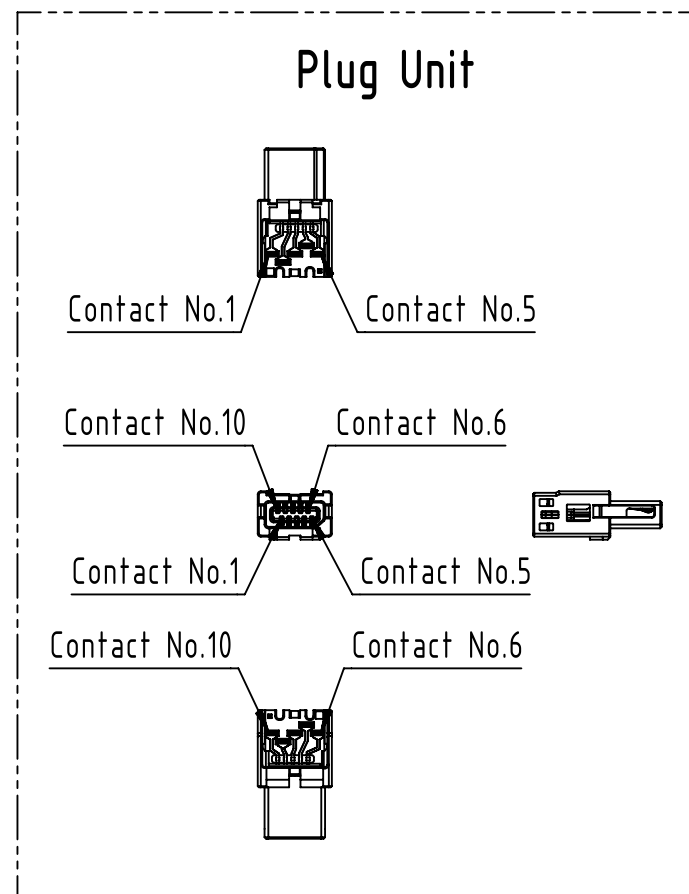
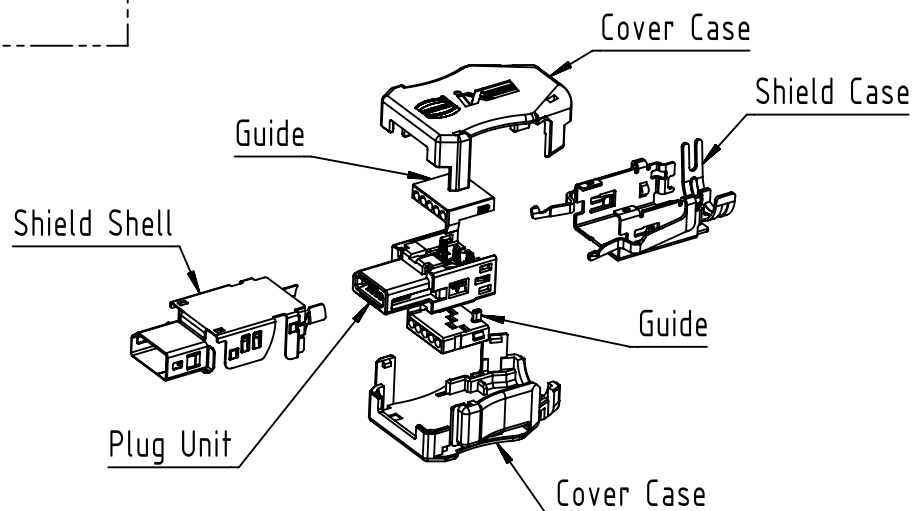
Contact material: copper alloy  
 Contact area: Gold 0.2µm min.  
 Wiring area: Gold 0.03µm min.  
 Under plating: Nickel 2µm min.

	All rights reserved Department EL PD	Created by TAMAS	Inspected by PRIESTER	Standardisation HOFFMANN	Date 2018-06-13	State Final Release	
	Title IDC type Plug B key, Cable guide Ø1.3 (HARTING Logo)					Doc-Key / ECM-Nr. 100791030/UGD/000/A 500000136323	
HARTING Electronics GmbH D-32339 Espelkamp		Type TB	Number 09451819002			Rev. A	Page 1/2

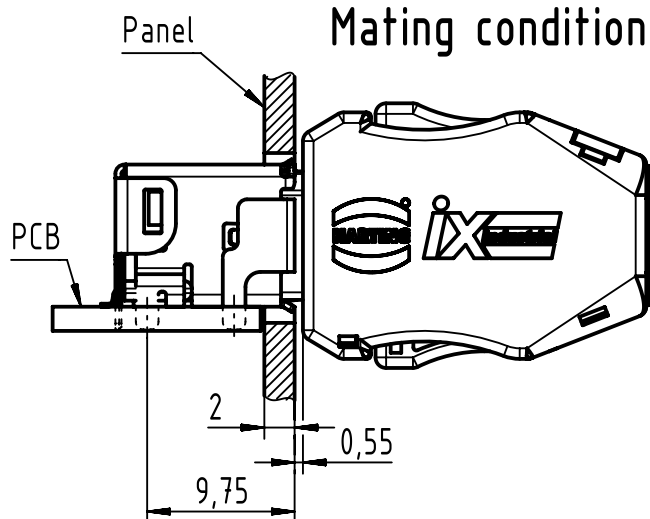
# Shield Shell delivery form



## Product Structure



## Mating condition (2:1)



	All Dimensions in mm Original Size DIN A4		Scale 1:1	Free size tol.		Ref.	
	All rights reserved Department EL PD		Created by TAMAS	Inspected by PRIESTER	Standardisation HOFFMANN	Sub.	
HARTING Electronics GmbH D-32339 Espelkamp		Title IDC type Plug B key, Cable guide Ø1.3 (HARTING Logo)				Date 2018-06-13	State Final Release
		Type TB				Number 09451819002	Doc-Key / ECM-Nr. 100791030/UGD/000/A 500000136323
						Rev. A	Page 2/2

# Mouser Electronics

Authorized Distributor

Click to View Pricing, Inventory, Delivery & Lifecycle Information:

[HARTING:](#)

[09451819002XL](#)