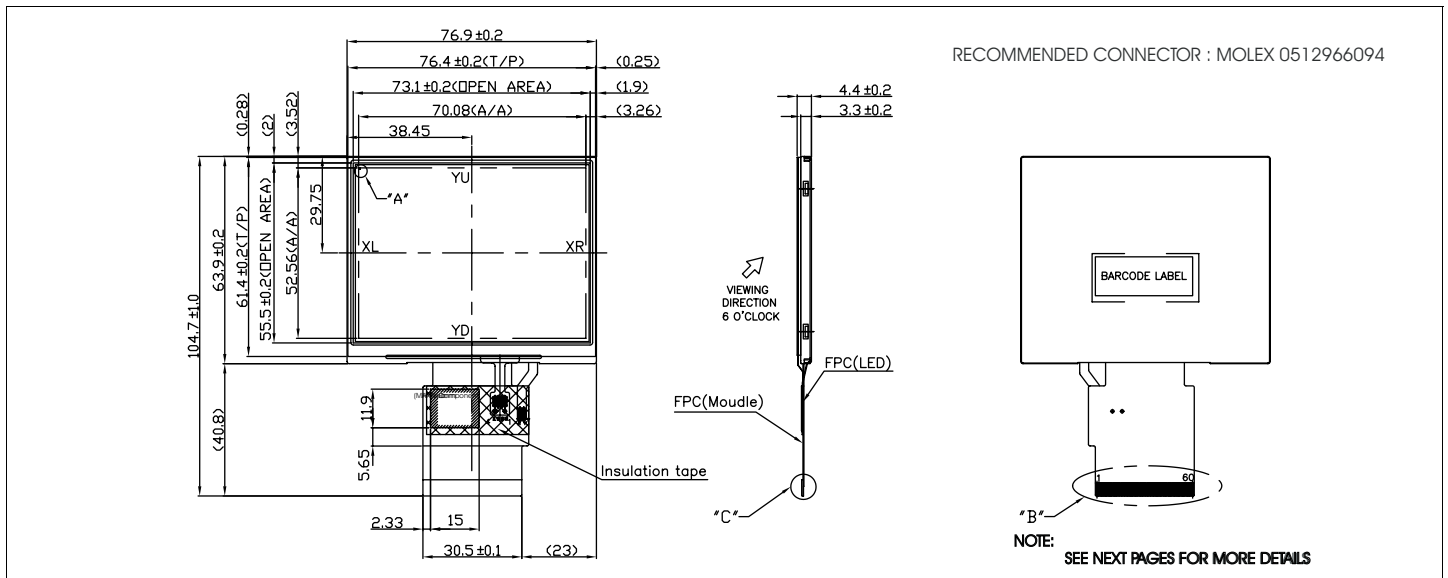


# HDA351T-LV

## Dimensional Drawing

3.5", QVGA (TFT) Color Graphics , Landscape , White LED Backlight



### Features

- Viewing Angle(horizontal)..... 140 degrees
- High Contrast.....350
- Fast Response Time.....50 msec
- Built-in Controller.....none
- Touch Screen.....four wire, analog

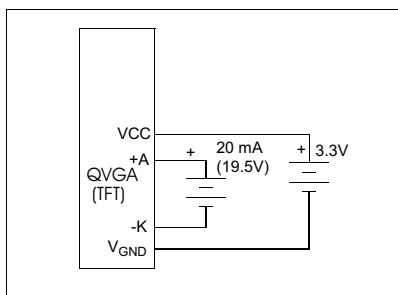
### Physical Data

- Module Size.....76.9W x63.9H x4.4T mm
- Active Area Size.....70.08W x52.56 H mm
- Dot Pitch.....0.073W x 0.219H mm
- Weight.....41.5g

### Electrical Characteristics (V<sub>DD</sub>=3.3±0.125V 25°C)

PARAMETER	SYM	CONDITION	MIN	TYP	MAX	UNIT
OPERATING VOLTAGE	V <sub>CC</sub>	-	2.5	3.3	3.6	V
OPERATING VOLTAGE	V <sub>LED</sub>	I = 20 mA	-	19.5	-	V
INPUT HIGH VOLTAGE	V <sub>IH</sub>	-	0.8*V <sub>DD</sub>	-	V <sub>DD</sub>	V
INPUT LOW VOLTAGE	V <sub>IL</sub>	-	0	-	0.2*V <sub>DD</sub>	V
OPERATING CURRENT	I <sub>CC</sub>	V <sub>CC</sub> = 3.3 V	-	15.6	22.0	mA
OPERATING CURRENT LED	I <sub>LED</sub>	-	-	20	-	mA
POWER CONSUMPTION	P <sub>CC</sub>	-	-	442	-	mW
BRIGHTNESS	L	Average	260	285	-	Cd/m <sup>2</sup>

### Power Supply



### Absolute Maximum Ratings

PARAMETER	SYMBOL	MIN	MAX	UNIT
SUPPLY VOLTAGE	V <sub>CC</sub>	-0.3	6.0	V
BACKLIGHT CURRENT(White LED)	I <sub>LED</sub>	-	30	mA
INPUT VOLTAGE	V <sub>I</sub>	-0.3	V <sub>DD</sub> + 0.3	V
OPERATING TEMPERATURE	T <sub>OP</sub>	-20	+70	°C
STORAGE TEMPERATURE	T <sub>STG</sub>	-30	+80	°C

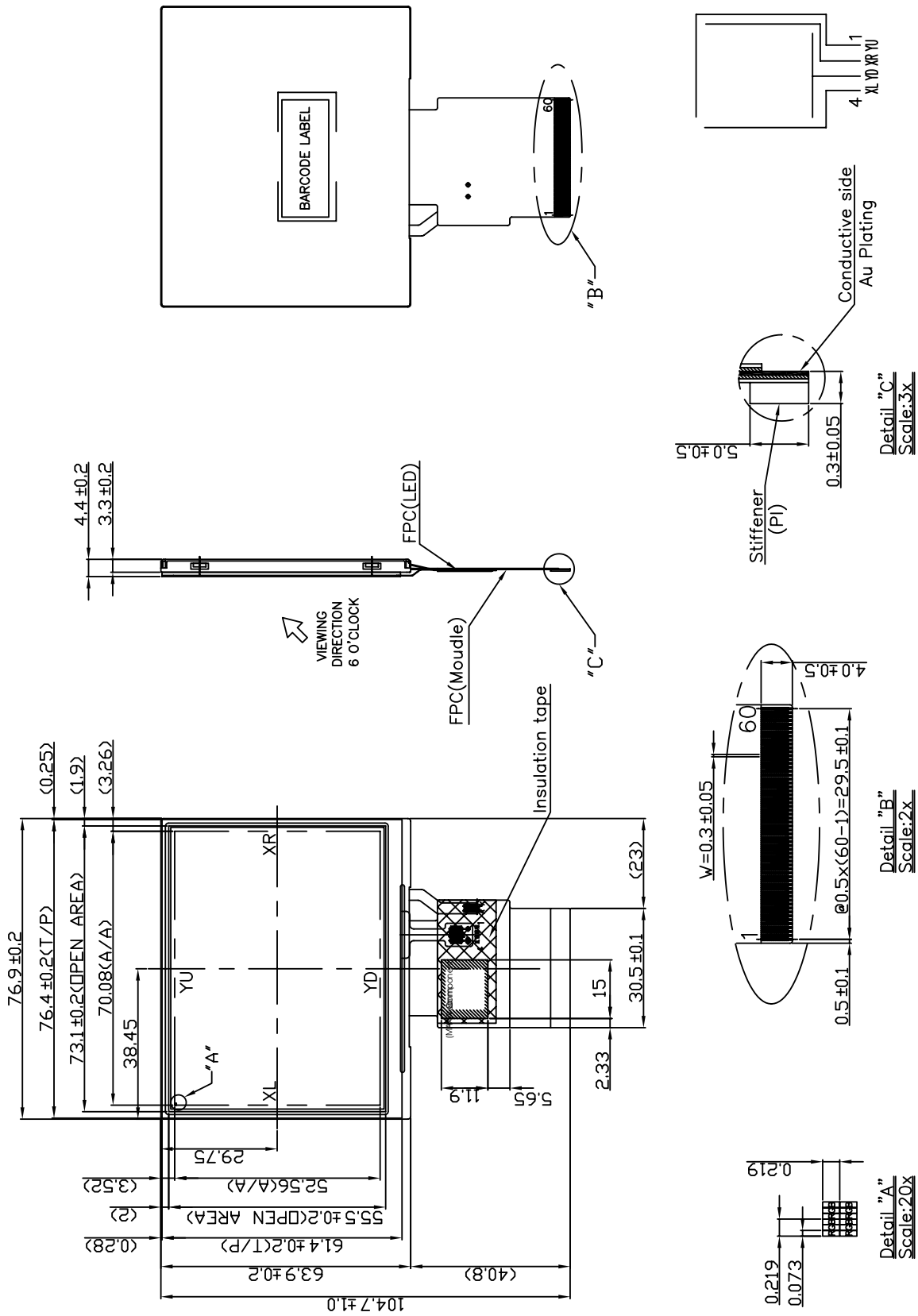
### Pin Connections

PIN NO.	SYMBOL	FUNCTION
1	LED-K	Backlight LED (-)
2	LED-K	Backlight LED (-)
3	LED-A	Backlight LED (+)
4	LED-A	Backlight LED (+)
5	GND	Ground
6	X1	X Right
7	Y1	Y Bottom
8	X2	X Left
9	Y2	Y Up
10	GND	Ground
11	NC	No Connection
12	NC	No Connection
13	NC	No Connection
14	RESET	L Reset Input
15	CSB	L Chip Select
16	SCL	H/L Serial Clock
17	SDI	H/L Serial Data
18-25	D20-D27	H/L Blue Data Inputs
26-33	D10-D17	H/L Green Data Inputs
34-41	D00-D07	H/L Red Data Inputs
42	HSYNC	H Horizontal Sync Input
43	VSYNC	H Vertical Sync Input
44	DOTCLK	H/L Data Clock Input
45	NC	No Connection
46	NC	No Connection
47	VCC	- Power (+3.3V)
48	VCC	- Power (+3.3V)
49-58	NC	No Connection
59	GND	- Ground Pin
60	GND	- Ground Pin

# HDA351T-LV

Dimensional Drawing

3.5" , QVGA (TFT) Color Graphics , Landscape , White LED Backlight



# Mouser Electronics

Authorized Distributor

Click to View Pricing, Inventory, Delivery & Lifecycle Information:

[Hantronix:](#)

[HDA351T-LV](#)