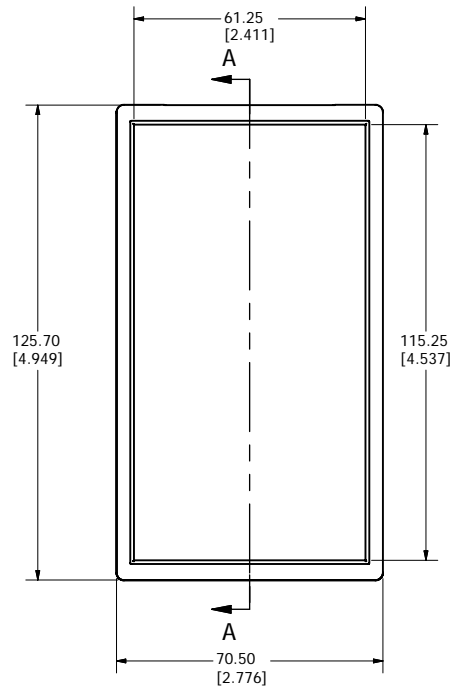
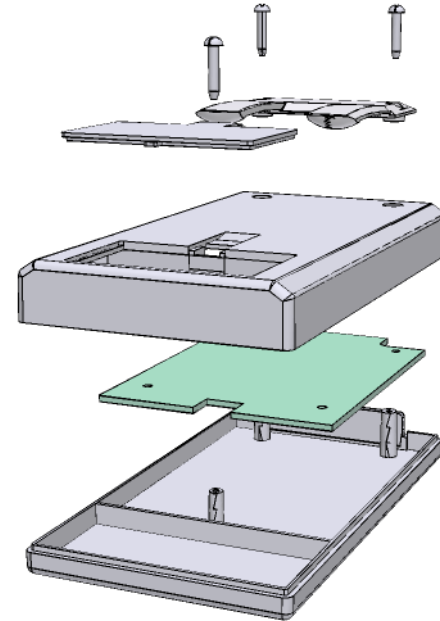
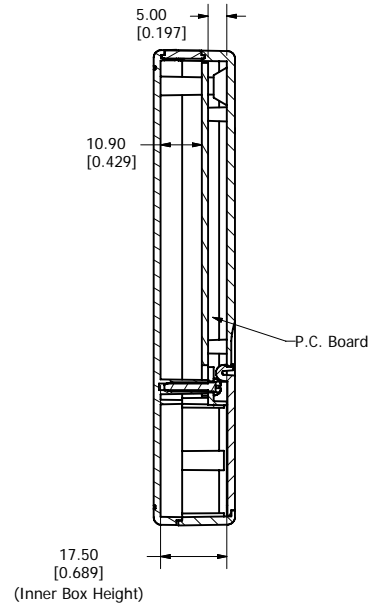


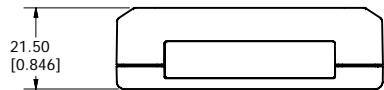
Top View of Assembly



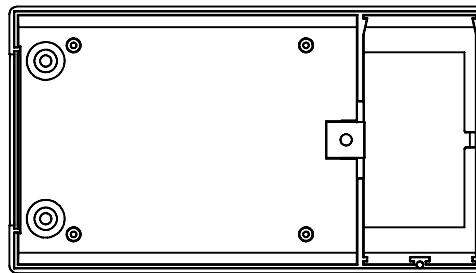
SECTION A-A (Side Inside Assembly)



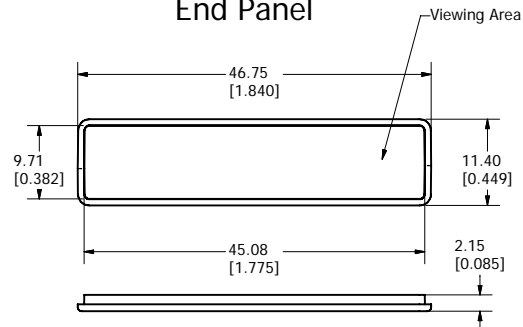
End View of Assembly



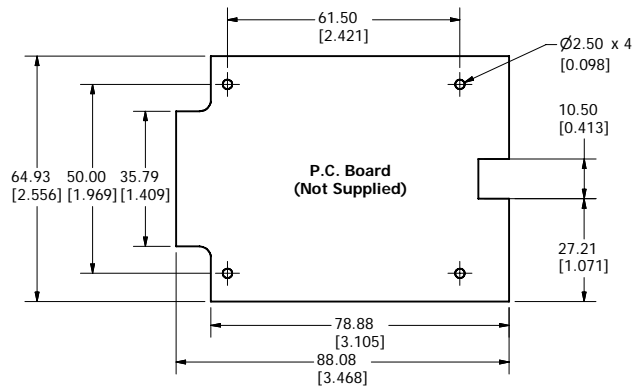
Inside Bottom Cover



End Panel



Maximum P.C. Board Size



Large Clipper Enclosure

NOTE		
Clip and PC Board not included		
PART NUMBERS		
Clipper Enclosure		
Black Enclosure RAL 9018	001106	
Grey Enclosure RAL 7035	001117	
INCLUDES		
#	Description	Material
1	Enclosure	FR ABS-UL94-V0
1	End Panel	FR ABS-UL94-V0
3	Cover Screws #2x1/2 Pan Head	
ACCESSORIES		
Black Pocket Clip		001151
Grey Pocket Clip		001152
Infra Red Panel		001153



www.hammondmfg.com

Mouser Electronics

Authorized Distributor

Click to View Pricing, Inventory, Delivery & Lifecycle Information:

[Hammond:](#)

[001117](#) [001106](#)