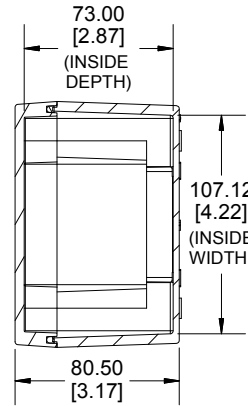
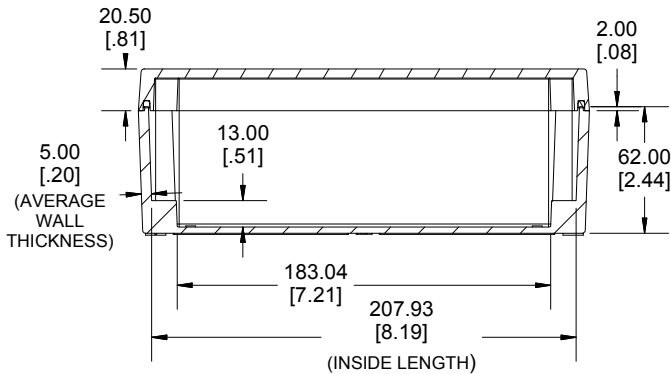
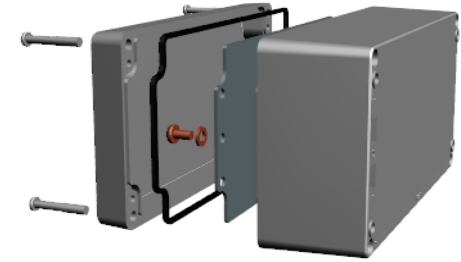


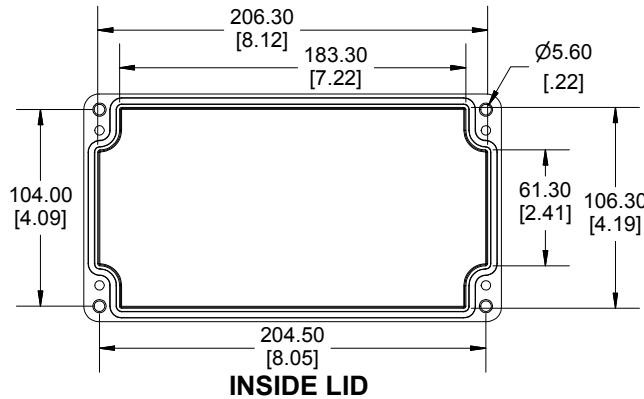
**TOP VIEW**



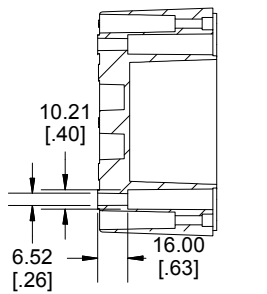
**SECTION A-A  
END VIEW**



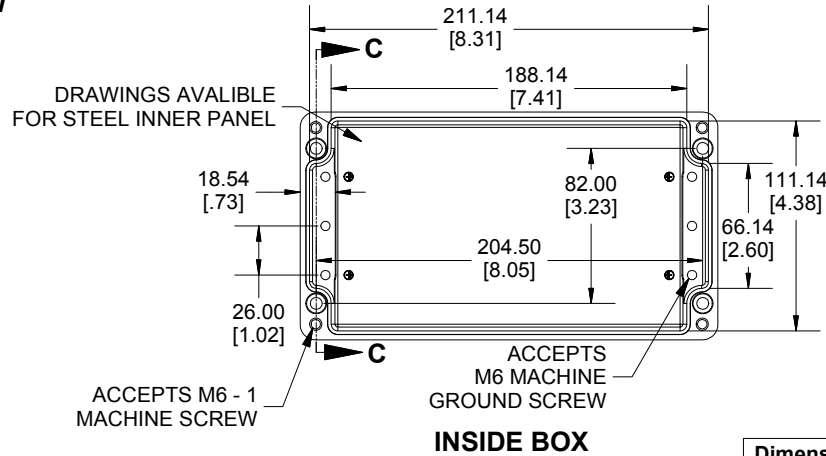
**SECTION B-B  
SIDE VIEW**



**INSIDE LID**



**SECTION C-C  
MOUNTING HOLE**



**INSIDE BOX**

Dimensions:  
mm  
[inches]



Enclosures can be Factory Modified ( Milling, Drilling, Printing etc.)  
Contact Factory [mjm@hammondmfg.com](mailto:mjm@hammondmfg.com) for quotes  
Solid models of this enclosure available in STEP or IGES.  
(Part number and text placement/orientation on our products are subject to change,  
we do not recommend using them as a locating reference for modification purposes)

**NOTE**

Purchased assembly includes box, lid, silicone gasket,  
4 cover screws and 4 ground screws with washers.  
Box and lid are made from Diecast Aluminum Alloy.

**Recommended cover screw Torque 15-17 lbf.in ( 150 -170 cN.m)**

1590Z150	
1590Z150 Enclosure	
Basic Enclosure	1590Z150
Black Enclosure	1590Z150BK
Grey Enclosure - RAL7001 Gloss	1590Z150GY
ACCESSORIES	
Steel Inner Panel	1590Z150PL
Pre-Formed Silicone Gasket	1590Z150G
Copper Ground Hardware (4 Pack) [M6 - 1.0 X 10mm / M6 Washer]	SCGM6

**1590Z150**  
[www.hammondmfg.com](http://www.hammondmfg.com)

# Mouser Electronics

Authorized Distributor

Click to View Pricing, Inventory, Delivery & Lifecycle Information:

[Hammond:](#)

[1590Z150GY](#) [1590Z150BK](#) [1590Z150](#) [1590Z150PL](#)