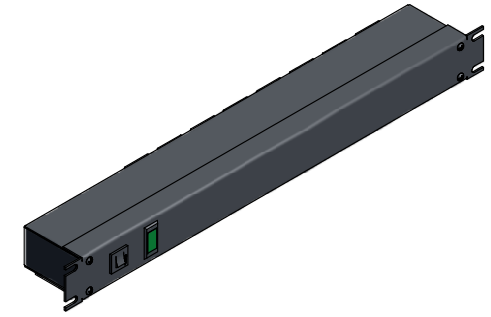
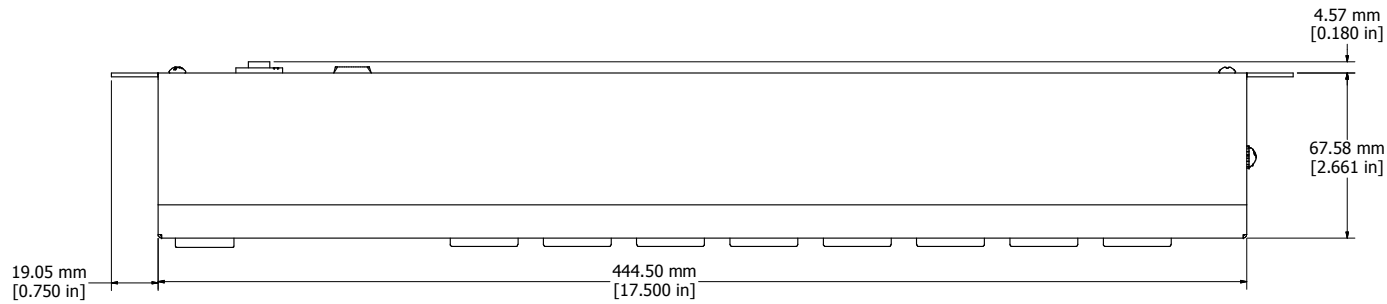


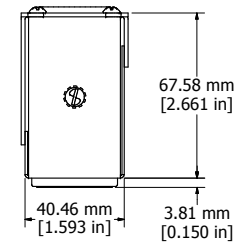
ASSEMBLY - VIEW FROM FRONT



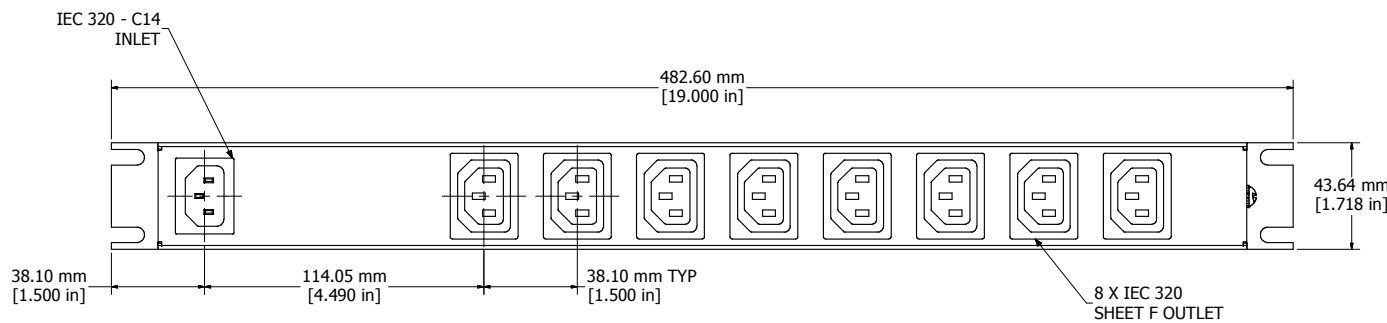
ISOMETRIC VIEW



ASSEMBLY - VIEW FROM BOTTOM



ASSEMBLY - VIEW FROM SIDE



ASSEMBLY - VIEW FROM BACK

1583T8E1BK
Finish - Front - Black Painted Steel
Back - Black Painted Steel
Rated - 230 VAC, 50/60 Hz, 10 Amps
Approvals - CSA Certified Standards C22.2 (No. 21-95, 42-99)
- cULus Listed Standards UL60950 & CSA C22.2 No. 60950
- TÜV-GS Certified Standard EN60950-1
- CE Certified Registration #: AN 72031916 0001



**HAMMOND
MANUFACTURING™**

1583T8E1BK

www.hammondmfg.com

Mouser Electronics

Authorized Distributor

Click to View Pricing, Inventory, Delivery & Lifecycle Information:

[Hammond:](#)

[1583T8E1BK](#)