

POLYCARBONATE  
VERSION ONLY  
 **US LISTED**  
 FILE #E65324  
 NEMA 4, 4X

Enclosures can be Factory Modified ( Milling, Drilling, Printing etc.)  
 Contact Factory [mjm@hammondmfg.com](mailto:mjm@hammondmfg.com) for quotes  
 Solid models of this enclosure available in STEP or IGES.  
 (Part number and text placement/orientation on our products are subject to change,  
 we do not recommend using them as a locating reference for modification purposes)

**NOTE**

Purchased assembly includes box, styled lid, 4 cover screws, and preformed silicone gasket.  
 General Purpose ABS version is not UL approved. (Matl UL94 - HB)  
 Polycarbonate version is UL 508 approved. (Matl UL94 - 5VA @ 3mm)

**Recommended Cover screw torque -- 2.5 lbf-in (30 cN-m)**

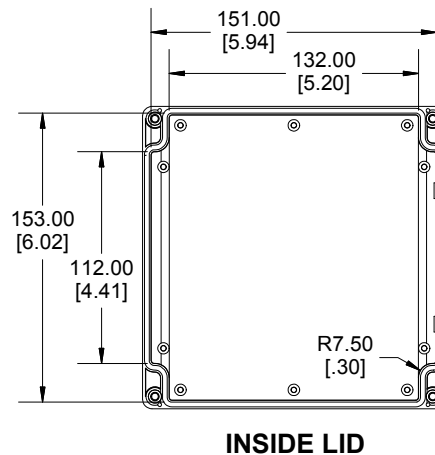
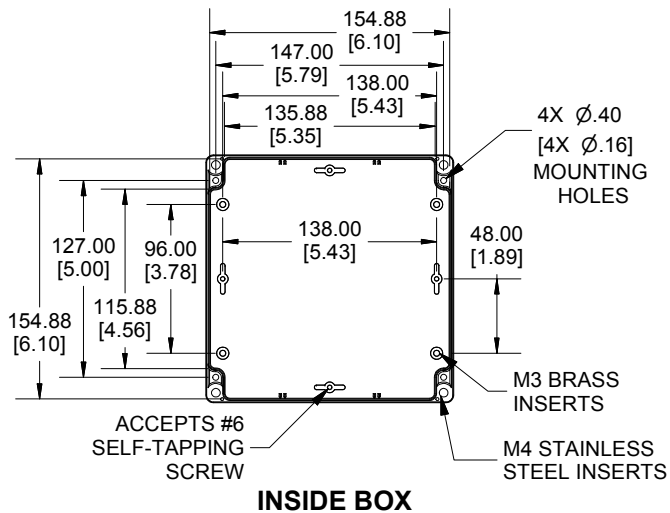
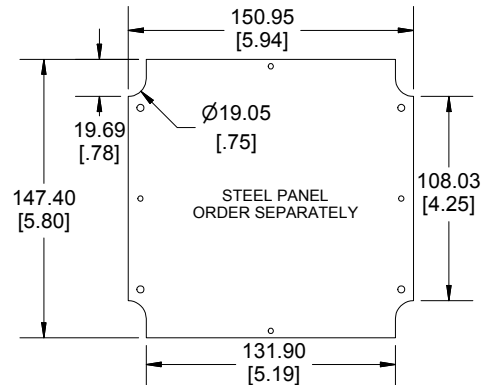
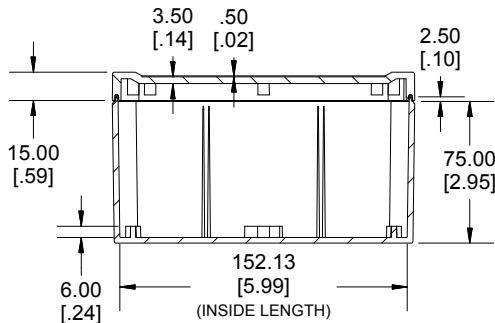
**1555S**

**1555S Regular Enclosure**

General Purpose ABS RAL-7035	1555SGY
Polycarbonate RAL-7035	1555S2GY

**ACCESSORIES**

Steel Inner Panels	1554RPL
Steel Panel / P.C. Board Machine Screw [M3 x 8mm Plated]	1591MM100
Steel Panel / P.C. Board Self Tapping Screw [#6 X 1/4" (6.4mm) Plated]	1598ATS100
Cover Screws (Pkg 4) [M4 X 20mm Stainless Steel]	SC1554
Silicone Pre-formed Gasket Black	1554RGASKET



**Dimensions:**  
 mm  
 [inches]



**1555S**  
[www.hammondmfg.com](http://www.hammondmfg.com)

# Mouser Electronics

Authorized Distributor

Click to View Pricing, Inventory, Delivery & Lifecycle Information:

[Hammond:](#)

[1555S2GY](#) [1555SGY](#)