



RJ45 AND USB 2.0 Contacts, Tools, and Accessories



Pin and Socket Contacts for SuperSeal™ 38999 Type, Series ITS and Series IPT Connectors

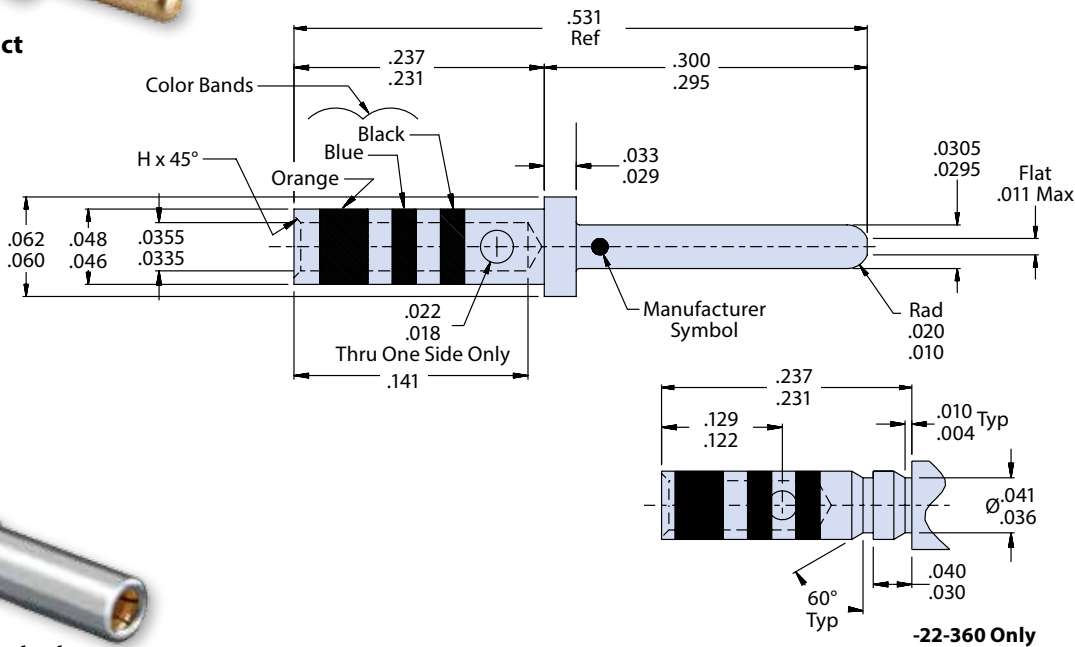
Contacts and Termination Tools

SIZE #22 STANDARD DUTY ELECTRICAL PIN AND SOCKET CONTACTS FOR USE WITH SUPERSEAL™ 38999 TYPE, ITS 301, ITS 345, IPT 301 AND IPT 345 SERIES CONNECTORS

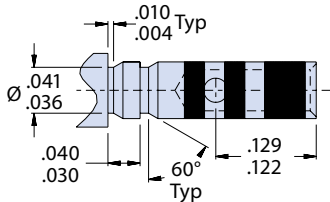
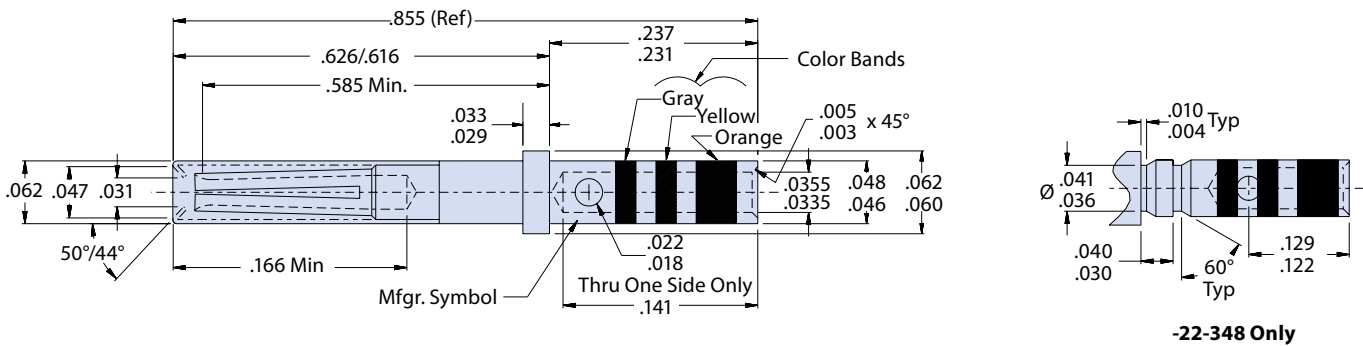


	Mating End Size	Wire Accomodation	Military Part Number	Glenair Part Number
Pin	22	22-28 AWG	M39029/58-360	850-002-22-360
Socket	22	22-28 AWG	M39029/56-348	850-001-22-348

Pin Contact



Socket Contact



-22-348 Only

Termination Tools

Size	Part Number	Military Number	AWG Handling	Crimp Tool	Positioner	Insertion Tool	Extraction Tool
22	850-002-22-360	M39029/58-360	22, 24, 26, 28	M22520/2-01	M22520/2-09	M81969/14-01	M81969/14-01
				M22520/7-01	M22520/7-07	M81969/8-01	M81969/8-02
Socket	850-001-22-348	M39029/56-348	22, 24, 26, 28	M22520/2-01 M22520/7-01	M22520/2-07 M22520/7-05	M81969/14-01 M81969/8-01	M81969/14-01 M81969/8-02

Mouser Electronics

Authorized Distributor

Click to View Pricing, Inventory, Delivery & Lifecycle Information:

[Glenair:](#)

[M81969/14-01](#)