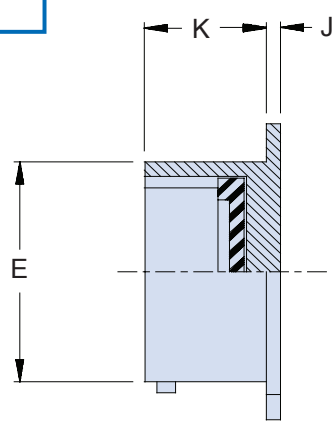
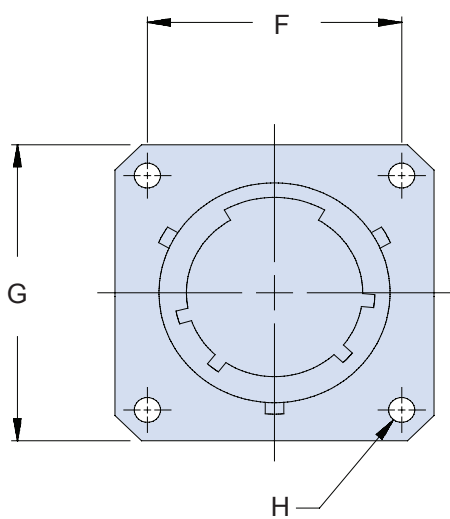
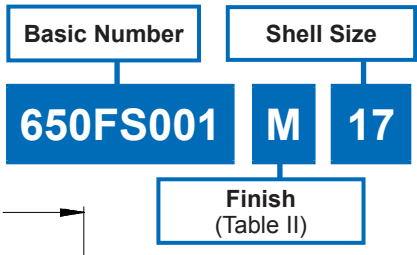




650FS001 Dummy Storage Receptacle for MIL-DTL-38999 Series I Connector



- APPLICATION NOTES**
1. See applicable Military Specification for complete dimensions.
 2. Metric dimensions (mm) are indicated in parentheses.

TABLE II: FINISHES	
Symbol	Finish
B	Cadmium Plate, Olive Drab
C	Anodize, Black
GB	Black Anodize, Hard Coat
M	Electroless Nickel
N	Cad Plate, Olive Drab over Electroless Nickel
NF	Cadmium Plate, Olive Drab over Electroless Nickel
MT	Ni-PTFE 1000 Hour Grey™ Nickel Fluorocarbon Polymer
ZN	Zinc-Nickel

TABLE I: DIMENSIONS						
Shell Size	E Max	F Dim	G ±.020 (0.5)	H Nom	J +.015 (0.4) -0.000	K ±.010 (0.3)
9	.572 (14.5)	.719 (18.3)	.938 (23.8)	.128 (3.3)	.085 (2.2)	.727 (18.5)
11	.701 (17.8)	.812 (20.6)	1.031 (26.2)	.128 (3.3)	.085 (2.2)	.727 (18.5)
13	.851 (21.6)	.906 (23.0)	1.125 (28.6)	.128 (3.3)	.085 (2.2)	.727 (18.5)
15	.976 (24.8)	.969 (24.6)	1.219 (31.0)	.128 (3.3)	.085 (2.2)	.727 (18.5)
17	1.101 (28.0)	1.062 (27.0)	1.312 (33.3)	.128 (3.3)	.085 (2.2)	.727 (18.5)
19	1.208 (30.7)	1.156 (29.4)	1.438 (36.5)	.128 (3.3)	.085 (2.2)	.727 (18.5)
21	1.333 (33.9)	1.250 (31.8)	1.562 (39.7)	.128 (3.3)	.115 (2.9)	.697 (17.7)
23	1.458 (37.0)	1.375 (34.9)	1.688 (42.9)	.147 (3.7)	.115 (2.9)	.697 (17.7)
25	1.583 (40.2)	1.500 (38.1)	1.812 (46.0)	.147 (3.7)	.115 (2.9)	.697 (17.7)

H

Mouser Electronics

Authorized Distributor

Click to View Pricing, Inventory, Delivery & Lifecycle Information:

Glenair:

[650FS001N17](#) [650FS001N23](#) [650FS001M19](#) [650FS001B11](#) [650FS001B15](#) [650FS001B17](#) [650FS001B19](#)
[650FS001B21](#) [650FS001B23](#) [650FS001M17](#) [650FS001M21](#) [650FS001N11](#) [650FS001N13](#) [650FS001N15](#)
[650FS001NF15](#) [650FS001NF17](#) [650FS001NF23](#) [650FS001C21](#) [650FS001B13](#)