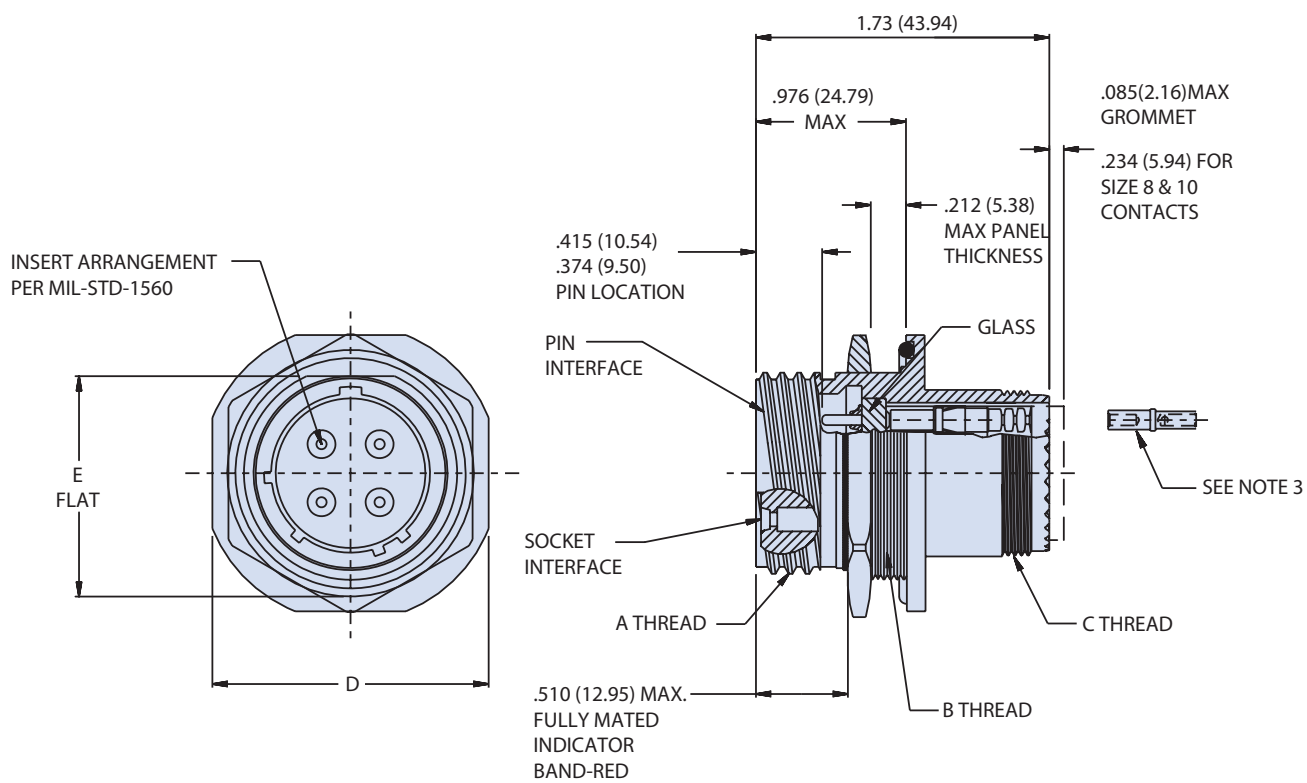
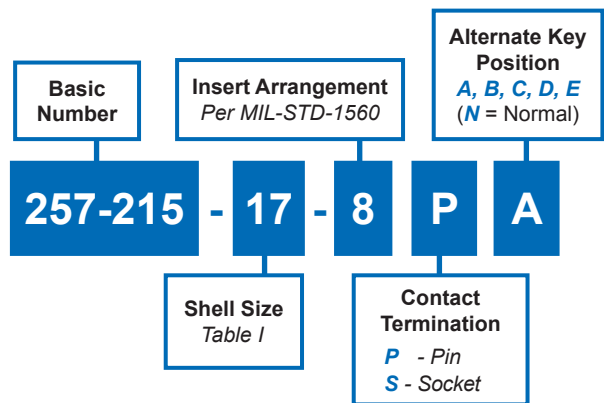




257-215

Jam Nut Mount Hermetic Receptacles with Crimp Removable Socket Contacts MIL-DTL-38999 Series III Type

B



Dimensions in Inches (millimeters) are subject to change without notice.

257-215
Jam Nut Mount Hermetic Receptacles
with Crimp Removable Socket Contacts
MIL-DTL-38999 Series III Type

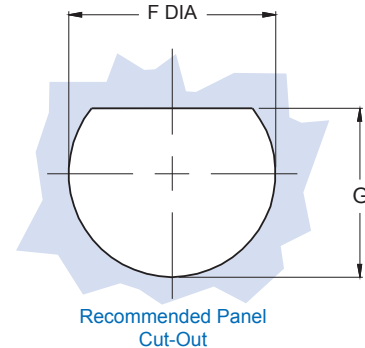


TABLE I: CONNECTOR DIMENSIONS

SHELL SIZE	CODE	A THREAD 0.1 P-0.3L-TS-2A	B THREAD	C THREAD	D ± .016	E +.004 (0.1) -.006 (0.15)	F DIA +.010 (.25) -.000 (.00)	G
9	A	.625 (15.88)	M17X1-6g 0.100R	M12X1-6g 0.100R	1.062 (26.97)	.651 (16.54)	.693 (17.60)	.661 (16.79) .655 (16.64)
11	B	.750 (19.05)	M20X1-6g 0.100R	M15X1-6g 0.100R	1.252 (31.80)	.751 (19.08)	.825 (20.96)	.771 (19.59) .761 (19.33)
13	C	.875 (22.23)	M25X1-6g 0.100R	M18X1-6g 0.100R	1.374 (34.90)	.935 (23.75)	1.010 (25.65)	.955 (24.26) .745 (18.92)
15	D	1.000 (25.40)	M28X1-6g 0.100R	M22X1-6g 0.100R	1.500 (38.10)	1.062 (26.97)	1.135 (28.83)	1.085 (27.56) 1.075 (27.30)
17	E	1.187 (30.15)	M32X1-6g 0.100R	M25X1-6g 0.100R	1.626 (41.30)	1.187 (30.15)	1.260 (32.01)	1.210 (30.73) 1.200 (30.48)
19	F	1.250 (31.75)	M35X1-6g 0.100R	M28X1-6g 0.100R	1.811 (46.00)	1.312 (33.32)	1.385 (35.18)	1.335 (33.91) 1.325 (33.65)
21	G	1.375 (34.92)	M38X1-6g 0.100R	M31X1-6g 0.100R	1.937 (49.20)	1.437 (36.50)	1.510 (38.35)	1.460 (37.08) 1.450 (36.83)
23	H	1.500 (38.10)	M41X1-6g 0.100R	M34X1-6g 0.100R	2.063 (52.40)	1.562 (39.67)	1.635 (41.53)	1.585 (40.26) 1.575 (40.00)
25	J	1.625 (41.28)	M44X1-6g 0.100R	M37X1-6g 0.100R	2.190 (55.63)	1.687 (42.85)	1.760 (44.70)	1.710 (43.43) 1.700 (43.18)

B

HERMETIC LEAK RATE MOD CODES	
Designator	Required Leak Rate
-585A	1 x 10 ⁻¹⁰ cc Helium per second
-585B	1 x 10 ⁻⁹ cc Helium per second
-585C	1 x 10 ⁻⁸ cc Helium per second



APPLICATION NOTES

- | | |
|----------------------------------------------------------------------------------------------------------------------------------------------------------------------------------------------------------------------------------------------------------------------------------------------------------------------------------------------------------------------------------------------------------------------------------------------|------------------------------------------------------------------------------------------------------------------------------------------------------------------------------------------------------------------------------------------------------------------------------------------------|
| <ol style="list-style-type: none"> Assembly identified with manufacturer's name and PN, space permitting. Material/Finish:
Shell, lock ring, jam nut—stainless steel/passivate
Contacts—alloy 52/gold plate
Sockets—copper alloy/gold plate
Hermetic Insulator—full glass/N.A.
Socket Insulator—rigid dielectric/N.A.
Seals—fluorosilicone/ N.A.
Hermeticity—1x10⁻⁷ cc/second | <ol style="list-style-type: none"> Crimp removable socket contacts to conform to AS39029/57-359 size 12, MIL-C-39029/57-358, size 16, MIL-C-39029/57-357 size 20 and MIL-C-39029/57-354 size 22D (supplied loose) Metric dimensions (mm) are indicated in parentheses. |
|----------------------------------------------------------------------------------------------------------------------------------------------------------------------------------------------------------------------------------------------------------------------------------------------------------------------------------------------------------------------------------------------------------------------------------------------|------------------------------------------------------------------------------------------------------------------------------------------------------------------------------------------------------------------------------------------------------------------------------------------------|

Dimensions in Inches (millimeters) are subject to change without notice.

Mouser Electronics

Authorized Distributor

Click to View Pricing, Inventory, Delivery & Lifecycle Information:

Glenair:

[257-215-13-98SA](#) [257-215-13-98SN](#) [257-215-25-61SA](#) [257-215-9-35PA](#) [257-215-9-35PN](#) [257-215-9-98SN](#) [257-215-11-35PN](#) [257-215-13-4PN](#) [257-215-17-99PA](#) [257-215-17-99PB](#) [257-215-13-35PA](#) [257-215-13-98PA](#) [257-215-13-98PN](#) [257-215-23-21SN](#)