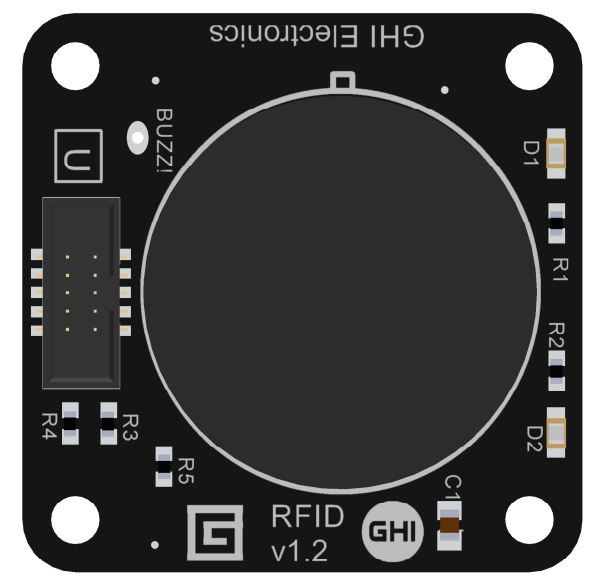
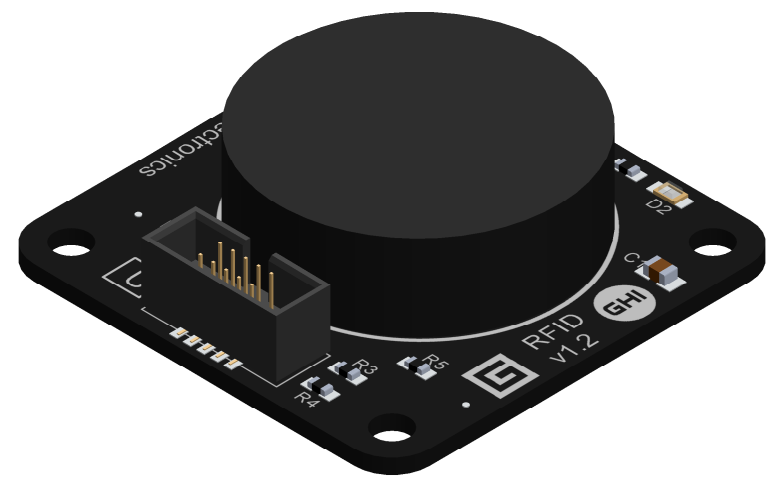
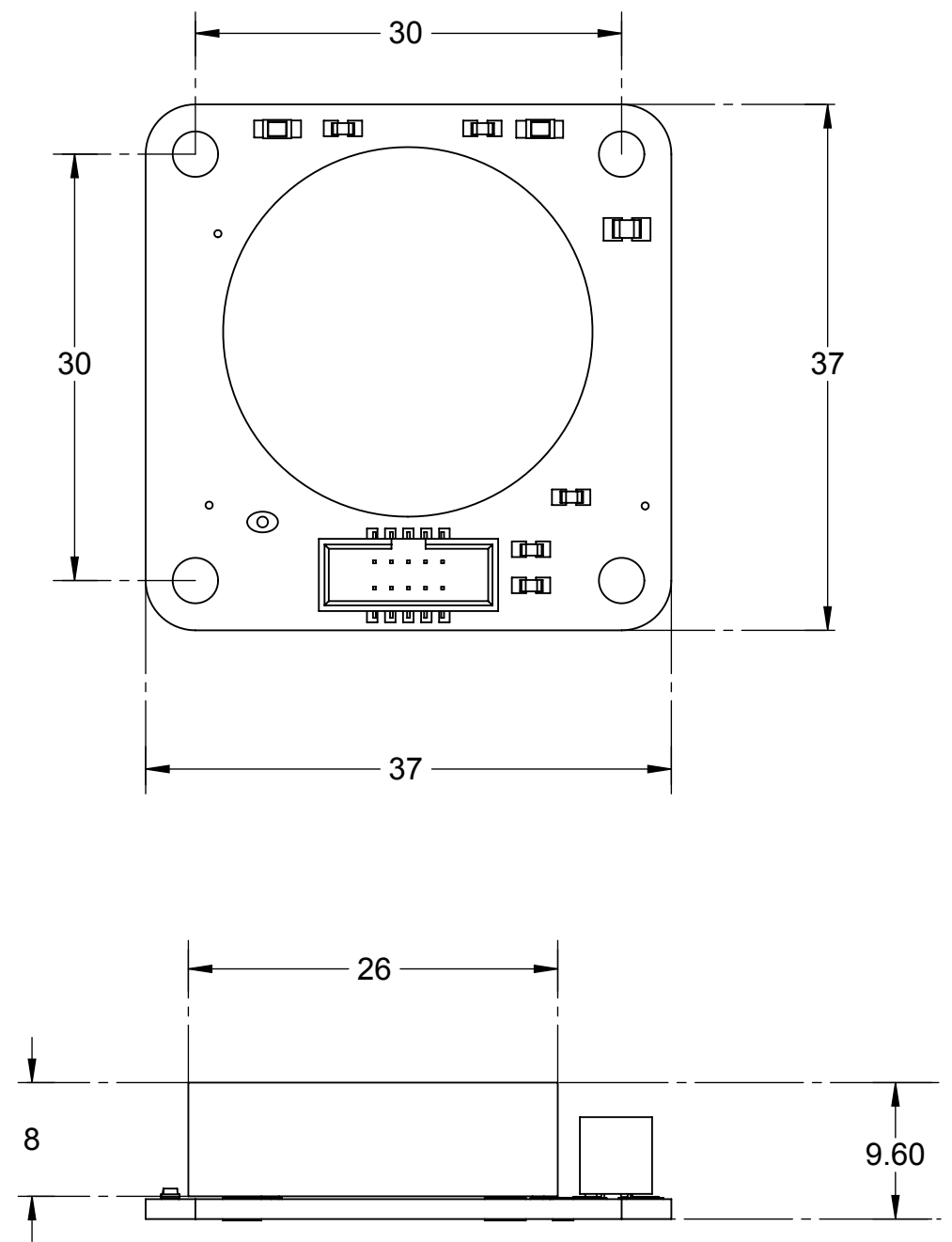


8 7 6 5 4 3 2 1

D  
C  
B  
A



D  
C  
B  
A



**ENGINEERING NOTES:**

SCREW HOLE DIAMETERS ARE 3.2MM, COMPLIANT WITH THE GADETEER STANDARD.  
 HOLE SPACING IS BASED ON A 5MM GRID  
 ALL DIMENSIONS ARE ± 0.5MM.

**RFID Module**

**GHI ELECTRONICS LLC**

**April 16, 2013**

[www.ghielectronics.com](http://www.ghielectronics.com)

SCALE	DIM	REV	SHEET
2:1	MM	1.2	1 of 1

8 7 6 5 4 3 2 1

# Mouser Electronics

Authorized Distributor

Click to View Pricing, Inventory, Delivery & Lifecycle Information:

[GHI Electronics:](#)

[RFIDR-GM-366](#)