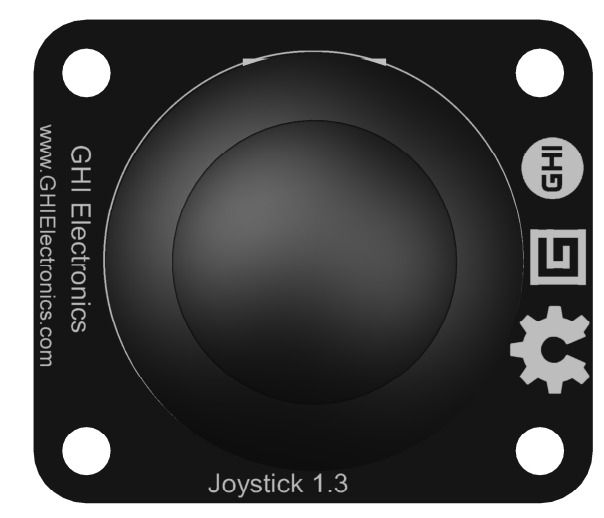
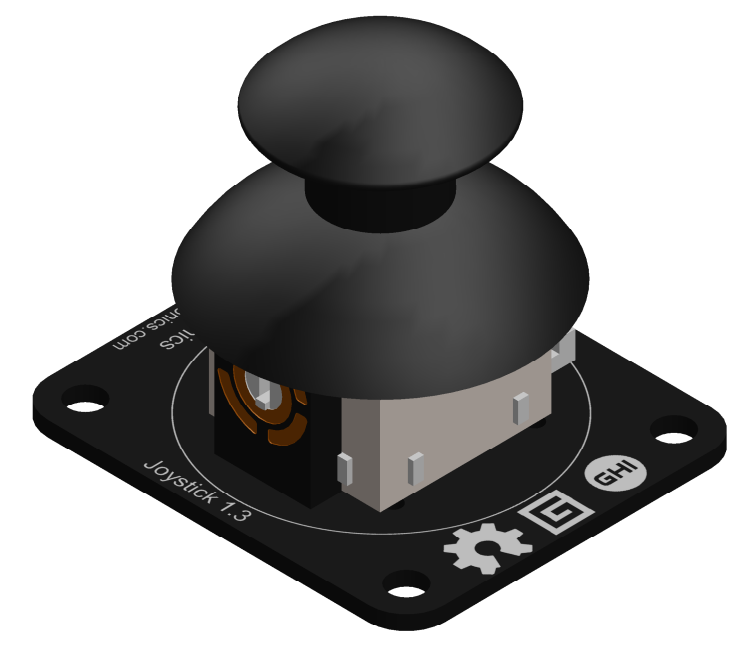
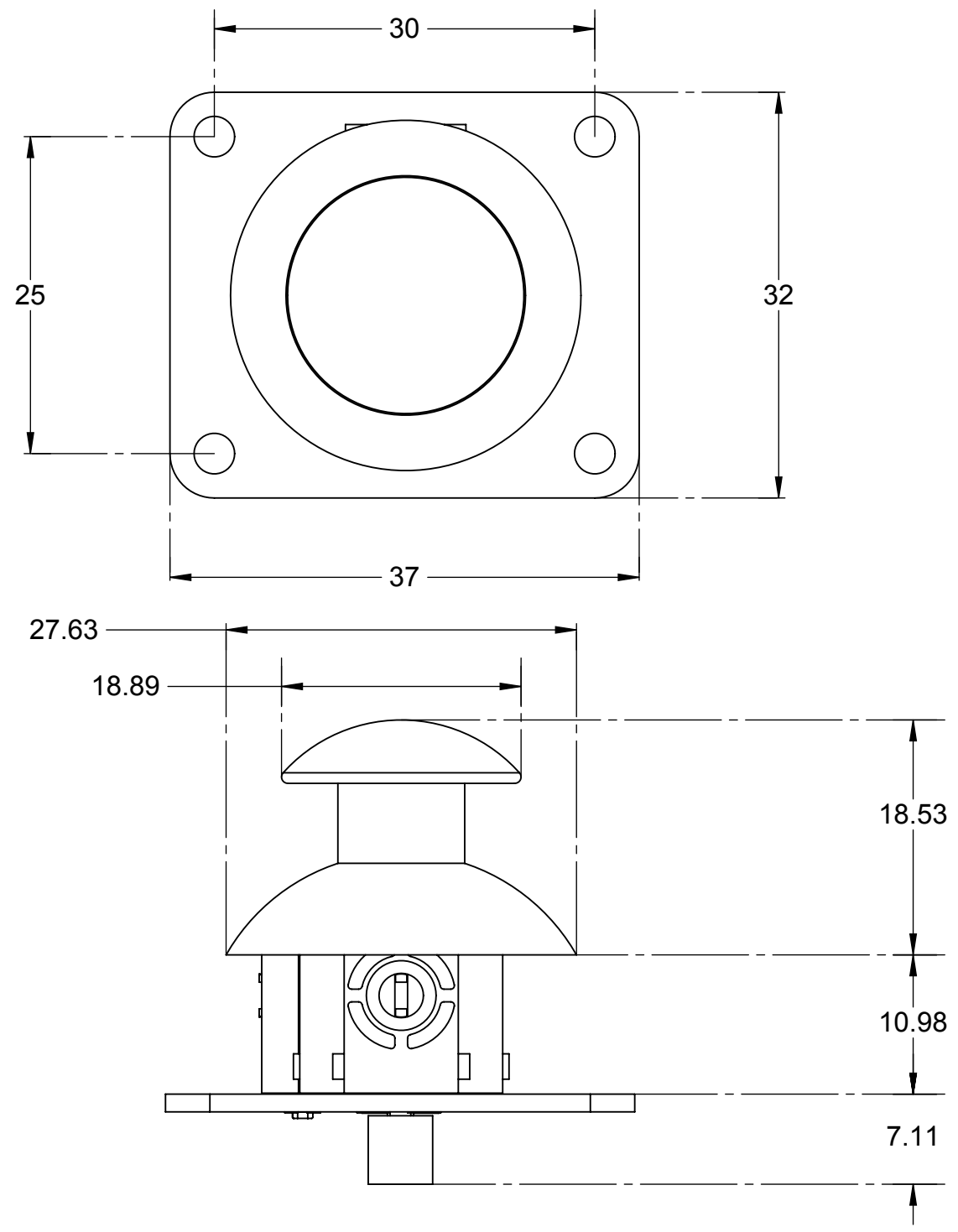


8 7 6 5 4 3 2 1

D  
C  
B  
A



D  
C  
B  
A



**ENGINEERING NOTES:**  
 SCREW HOLE DIAMETERS ARE 3.2MM, COMPLIANT WITH THE GADETEER STANDARD.  
 HOLE SPACING IS BASED ON A 5MM GRID  
 ALL DIMENSIONS ARE ± 0.5MM.

<b>Joystick Module</b>				
<b>GHI ELECTRONICS LLC</b>				
<b>April 15, 2013</b>				
<b>www.ghielectronics.com</b>	SCALE	DIM	REV	SHEET
	<b>2:1</b>	MM	<b>1.3</b>	1 of 1

8 7 6 5 4 3 2 1

# Mouser Electronics

Authorized Distributor

Click to View Pricing, Inventory, Delivery & Lifecycle Information:

[GHI Electronics:](#)

[JYSTK-GM-299](#)