

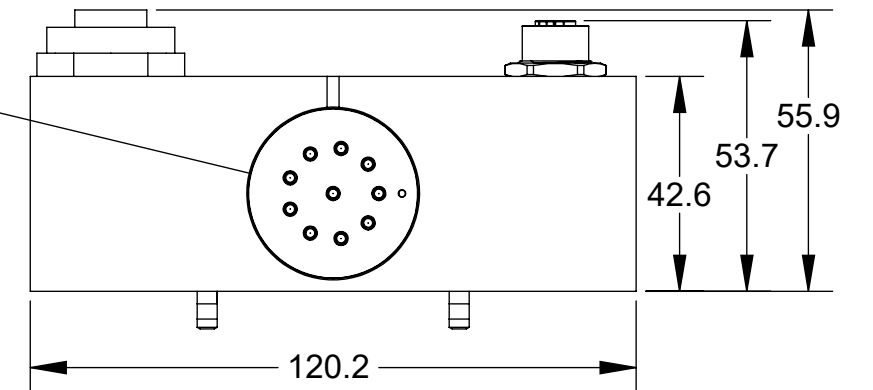
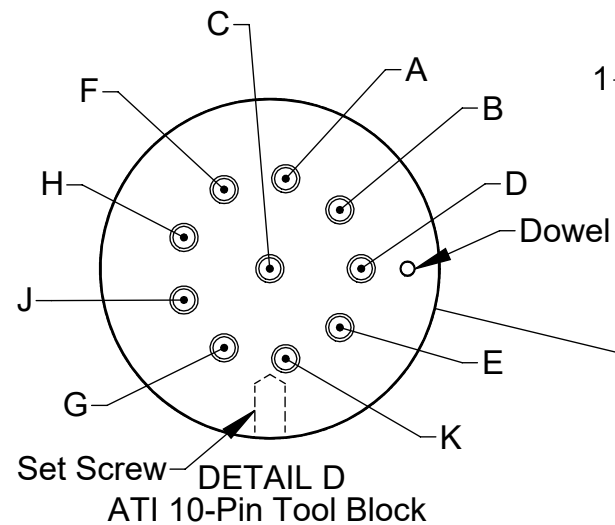
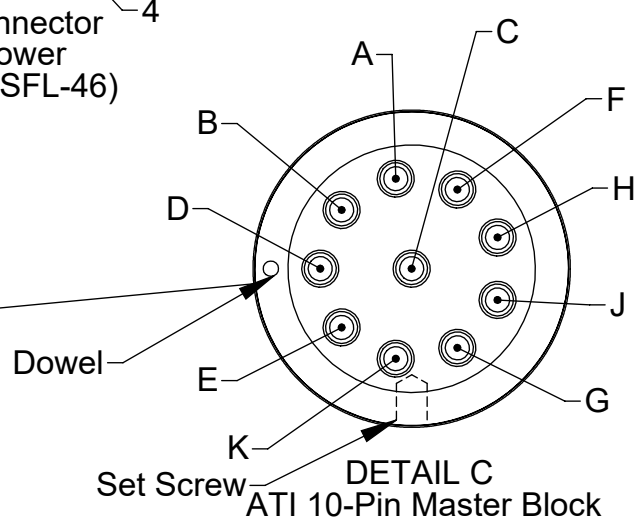
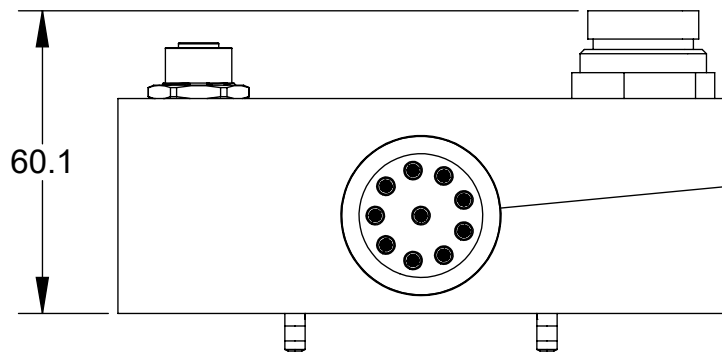
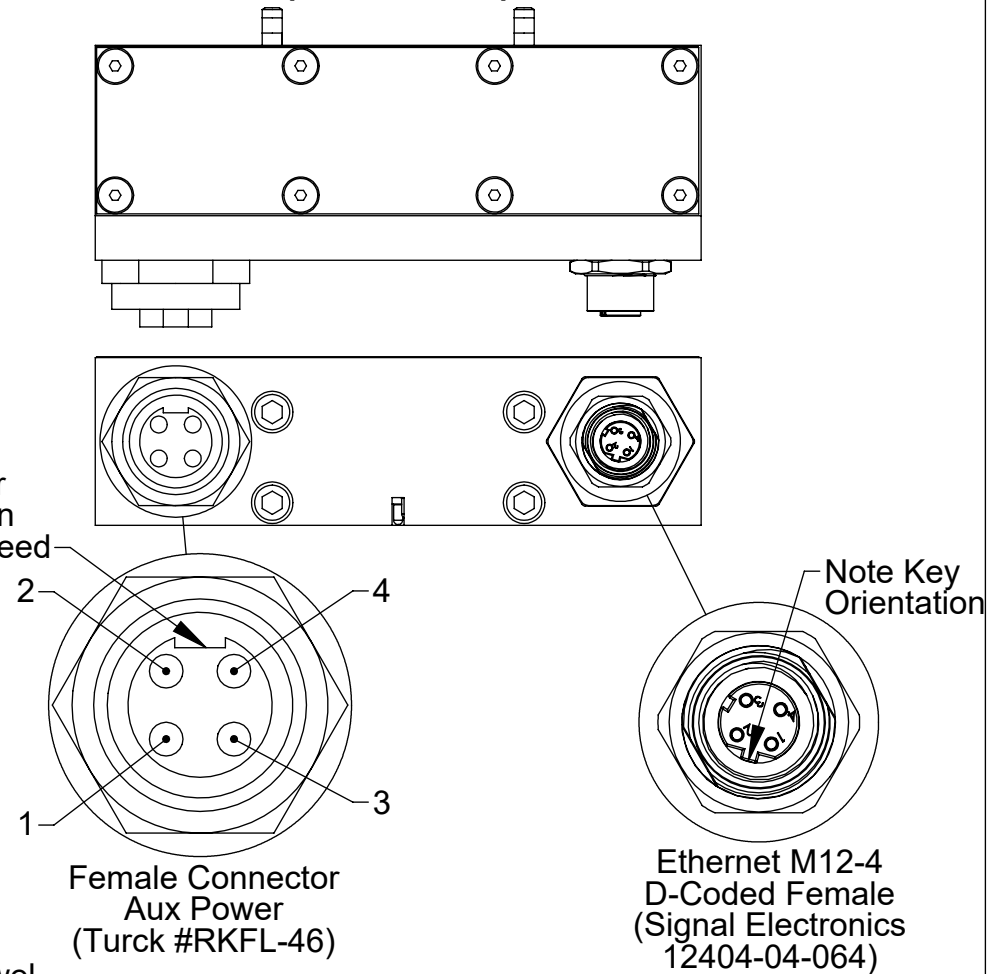
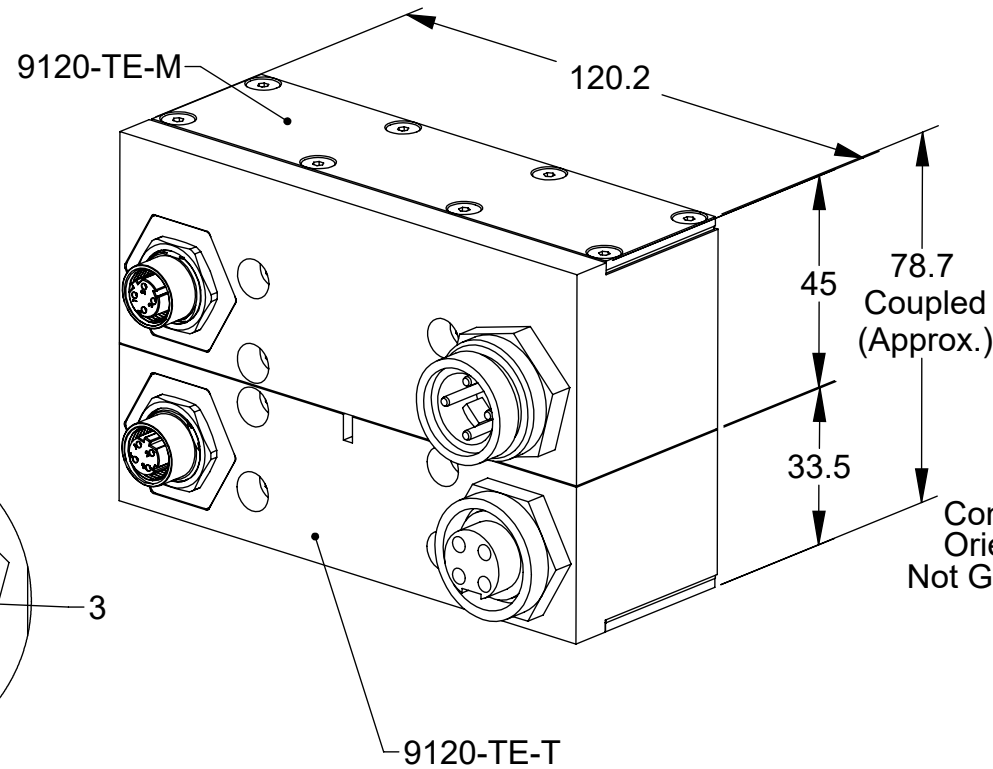
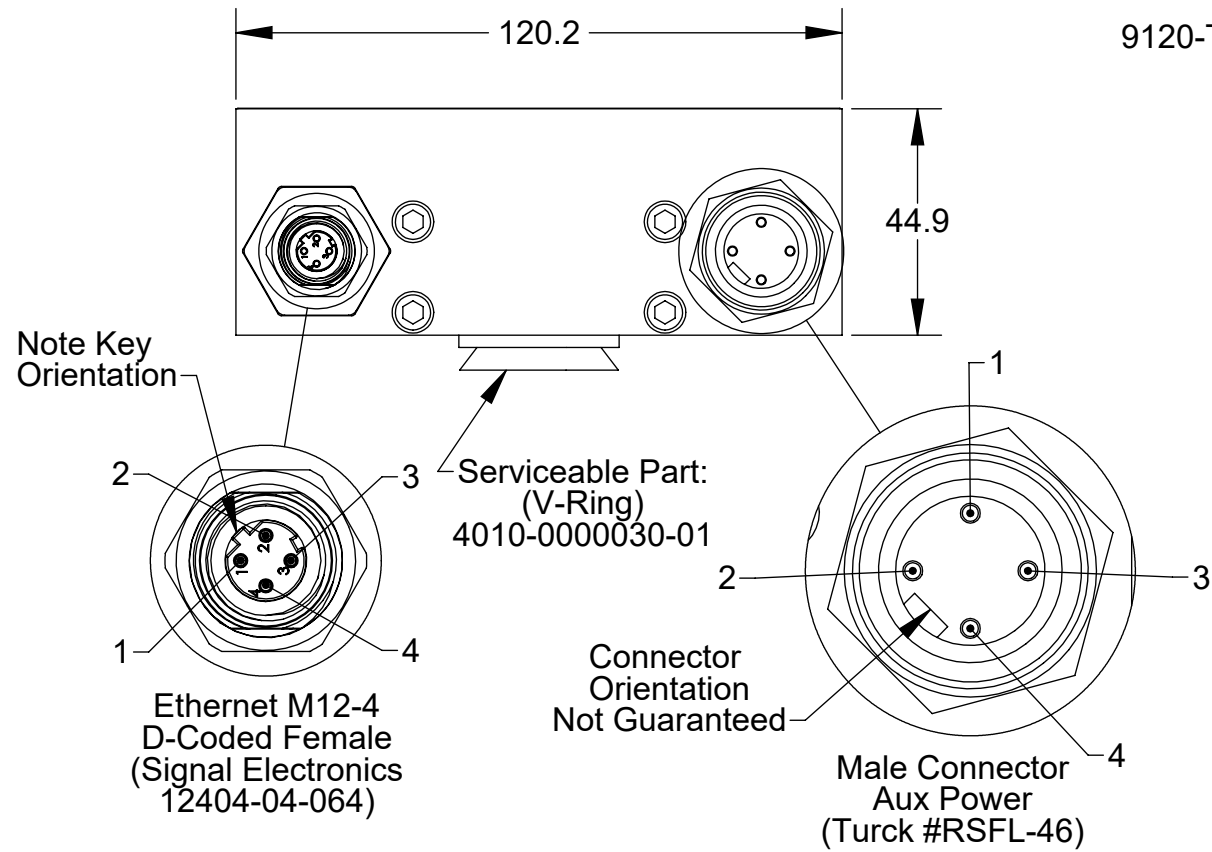
" DANGER!" - Electrical Shock Hazard

This module has a Voltage of 50V or greater, NO contact should be attempted before removing power. This especially includes separation or insertion of the mating connectors or any contact with the tool changer or its components."

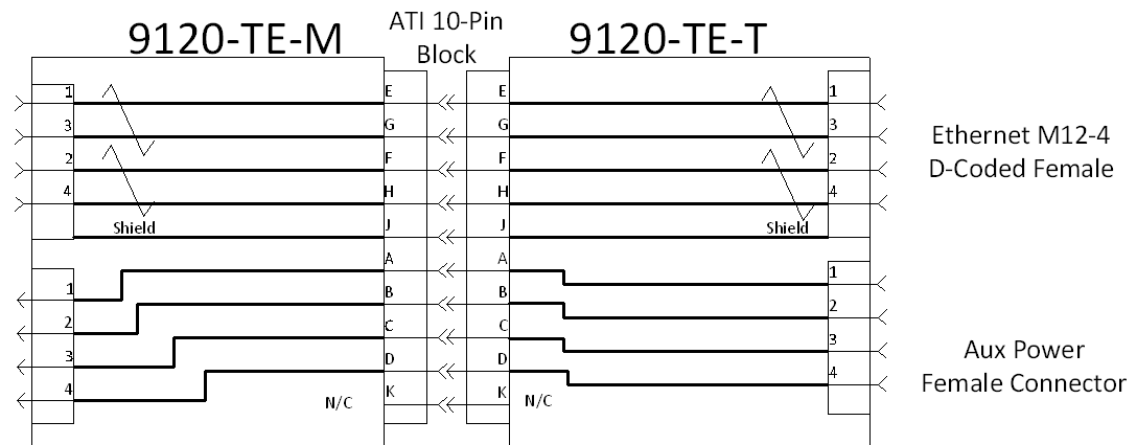
Rev.	Description	Initiator	Date
06	ECO 19835: Changed Ethernet M12-4 D-Coded Female Connector. Added "Electrical Shock Hazard" Label. Removed Manuf. Info. from schematic. 9120-TE-T: Dim 53.7 was 50.8	TBC	7/12/2021

**TE Master Module
(9120-TE-M)**

**TE Tool Module
(9120-TE-T)**

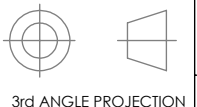


Note:
1. Pin C on ATI Tool Pin Block is the First-to-Mate-Last-to-Break.



NOTES: UNLESS OTHERWISE SPECIFIED.

DO NOT SCALE DRAWING. ALL DIMENSIONS ARE IN MILLIMETERS.



1031 Goodworth Drive, Apex, NC 27539, USA
 Tel: +1.919.772.0115 www.ati-ia.com
 Fax: +1.919.772.8259 ISO 9001 Registered Company

PROPERTY OF ATI INDUSTRIAL AUTOMATION, INC. NOT TO BE REPRODUCED IN ANY MANNER EXCEPT ON ORDER OR WITH PRIOR WRITTEN AUTHORIZATION OF ATI.

DRAWN BY: J. Williams 5/30/07		TITLE	
CHECKED BY: D.Lawson 8/8/07		TE Module Drawing	
SCALE	SIZE	DRAWING NUMBER	REVISION
2:3	B	9630-20-TE	06

PROJECT # 070523-2 SHEET 1 OF 1

Mouser Electronics

Authorized Distributor

Click to View Pricing, Inventory, Delivery & Lifecycle Information:

[ATI Industrial Automation:](#)

[9120-TE-T](#) [9120-TE-M](#)