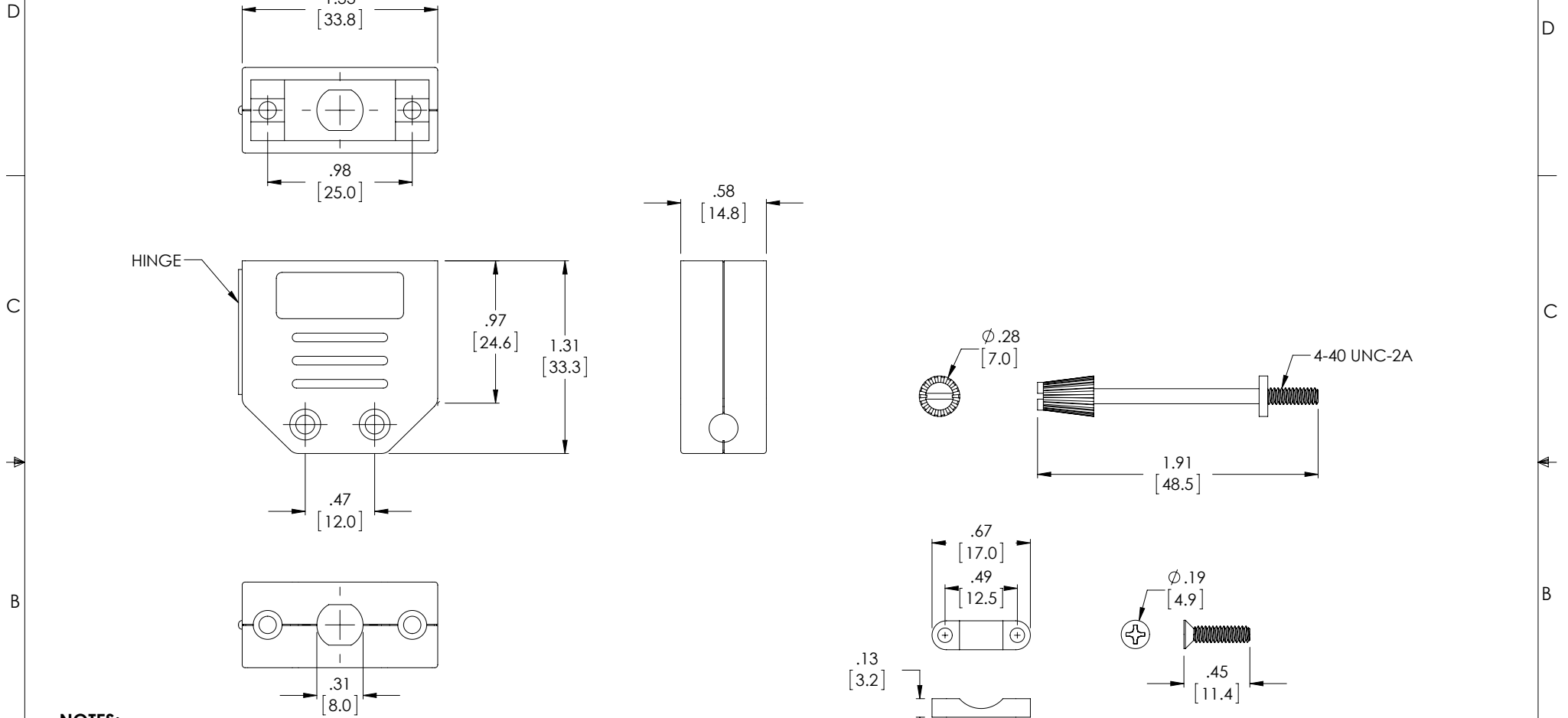



THE INFORMATION CONTAINED IN THIS DRAWING IS THE SOLE PROPERTY OF L-COM, INC. ANY REPRODUCTION IN PART OR WHOLE WITHOUT THE WRITTEN PERMISSION OF L-COM, INC. IS PROHIBITED.


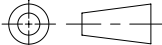
| REVISIONS |   |         |             |
|-----------|---|---------|-------------|
| REV       | DESCRIPTION   | DATE    | APPROVED    |
| A         | DRAWING REPLACES SD121-09-OD1                       | 6/24/14 | D_DESJARDIN |
| B         | ECN 8417: UPDATED OVERALL DESIGN AND DRAWING FORMAT | 7/13/16 | D_DESJARDIN |
| C         | ECN 8792: CHG FINISH FROM CHROMATE TO NICKEL PLATED | 5/30/17 | R.CLARK     |



**NOTES:**

- HOOD: PP UL94HB  
SCREW: STEEL  
FINISH: NICKEL PLATED 
- HOOD IS UNSHIELDED.
- D-SUB CONNECTOR (DB9 OR HD15) IS SECURED IN PLACE WHEN HOOD IS SNAPPED SHUT.
- STRAIN RELIEF IS CONTAINED WITHIN HOOD.
- COMPONENT SHALL BE INDIVIDUALLY PACKAGED IN ACCORDANCE WITH L-COM SPECIFICATION PS-0031.

**REGULATORY COMPLIANCE:**  
CE2011/65/EU (RoHS DIRECTIVE)

|   |  |                           |  |
|---|--|---------------------------|--|
| UNLESS OTHERWISE SPECIFIED, DIMENSIONS ARE IN INCHES [mm]<br>OVERALL CABLE LENGTH TOLERANCE:<br>≤12 [305] = +1 [25] / -0<br>>12 [305] ≤60 [1524] = +2 [51] / -0<br>>60 [1524] ≤120 [3048] = +4 [102] / -0<br>>120 [3048] ≤300 [7620] = +6 [152] / -0<br>>300 [7620] = +5% / -0% | APPROVALS  | DATE                      |  50 HIGH STREET<br>NORTH ANDOVER, MA<br>01845 |
|   | DRAWN BY<br>D PARHAM                                     | 5/18/2001                 |  |
| ALL OTHER DIMENSIONAL TOLERANCES:<br>.X = ± .2 [5.08]<br>.XX = ± .02 [51]<br>.XXX = ± .005 [1.27]   | CHECKED BY<br>T CLARK                                    | 5/18/2001                 | CATEGORY   |
|   | APPROVED BY<br>R CARRICK                                 | 5/18/2001                 | D-SUBMINIATURE   |
| PROJECTION<br>   | CONFIGURATION DETAILS OF UNDIMENSIONED FEATURES MAY VARY | PRODUCT DESCRIPTION       | HOOD, DB9/HD15 BLK PLASTIC ONE PC  |
| COLOR VARIATIONS MAY OCCUR  | SIZE<br><b>A</b>   | FSCM NO.<br><b>43321</b>  | DWG. NO.<br>SD121-09   |
| SD121-09-OD1  | SCALE: NONE  | CAD FILE: SD121-09.SLDDRW | REV.<br><b>C</b>   |
|   |  |                           | SHEET 1 OF 1   |

# Mouser Electronics

Authorized Distributor

Click to View Pricing, Inventory, Delivery & Lifecycle Information:

[infinite Electronics:](#)

[SD121-09](#)