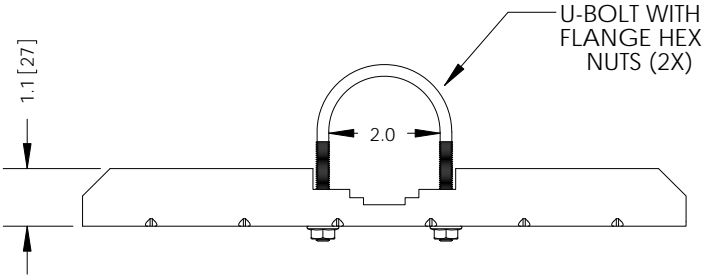
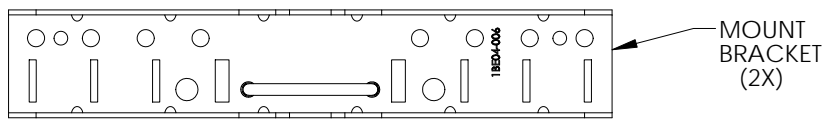
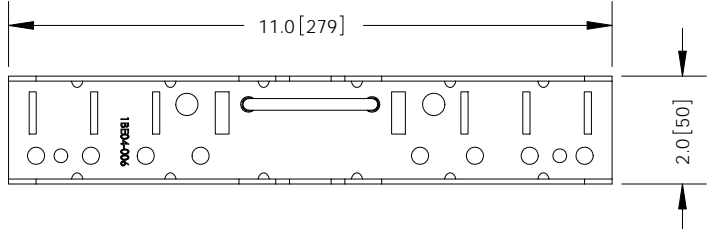


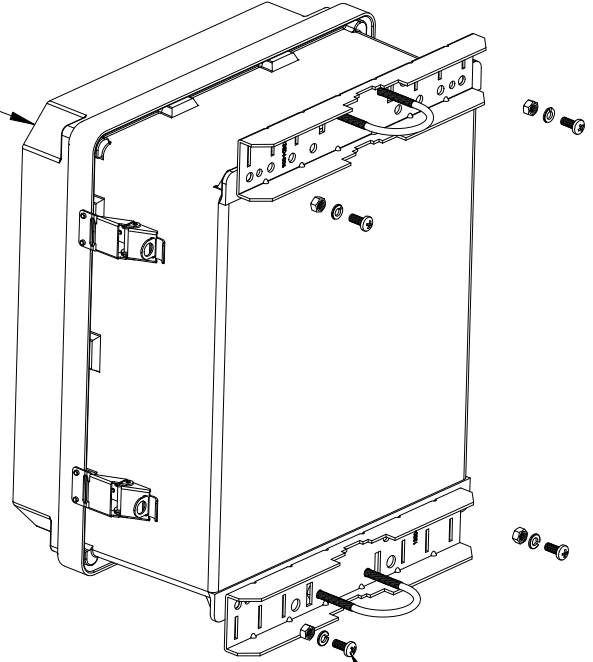
8 7 6 5 4 3 2 1

THE INFORMATION CONTAINED IN THIS DRAWING IS THE SOLE PROPERTY OF L-COM, INC. ANY REPRODUCTION IN PART OR WHOLE WITHOUT THE WRITTEN PERMISSION OF L-COM, INC. IS PROHIBITED.

REVISIONS			
REV	DESCRIPTION	DATE	APPROVED
A	INITIAL RELEASE	12/14/11	D.GRIFFIN
B	ECN 7265 UPDATE BRACKET 1BE04-006	01/27/14	B.PUCHASKI
-			



ENCLOSURE SHOWN FOR REFERENCE ONLY -NOT INCLUDED-



**NOTES:**  
 PACKAGING:  
 COMPONENT SHALL BE PACKAGED IN ACCORDANCE WITH L-COM SPEC PKG-00012.  
 -ALL DIMENSIONS FOR REFERENCE-

**REGULATORY COMPLIANCE:**  
 CE2011/65/EU(RoHS DIRECTIVE)

UNLESS OTHERWISE SPECIFIED, DIMENSIONS ARE IN INCHES [mm]  DIMENSIONAL TOLERANCES: .X = ±.1 [2.54] .XX = ±.01 [.25] .XXX = ±.005 [.13]  ANGULAR TOLERANCES: ALL = ± 1°	APPROVALS	DATE		45 BEECHWOOD DRIVE NORTH ANDOVER, MA 01845	
	DRAWN BY B.PUCHASKI	12/14/11			
	CHECKED BY M.MARTINEZ	12/14/11	CATEGORY	ENCLOSURE	
APPROVED BY M.MARTINEZ	12/14/11	PRODUCT DESCRIPTION	UNIVERSAL POLE MOUNTIN KIT- POLE DIAMETER 1 1/4 TO 2 INCHES		
PROJECTION	COLOR VARIATIONS MAY OCCUR	SIZE <b>A</b>	FSCM NO. <b>43321</b>	DWG. NO. <b>HGX-PMT16</b>	REV. <b>B</b>
		SCALE: NONE	CAD FILE: HGX-PMT16.SLDDRW		SHEET 1 OF 1

# Mouser Electronics

Authorized Distributor

Click to View Pricing, Inventory, Delivery & Lifecycle Information:

[infinite Electronics:](#)

[HGX-PMT16](#)