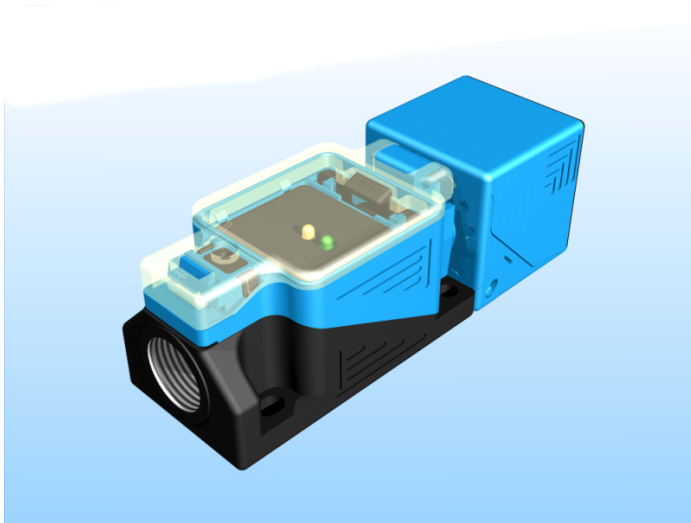
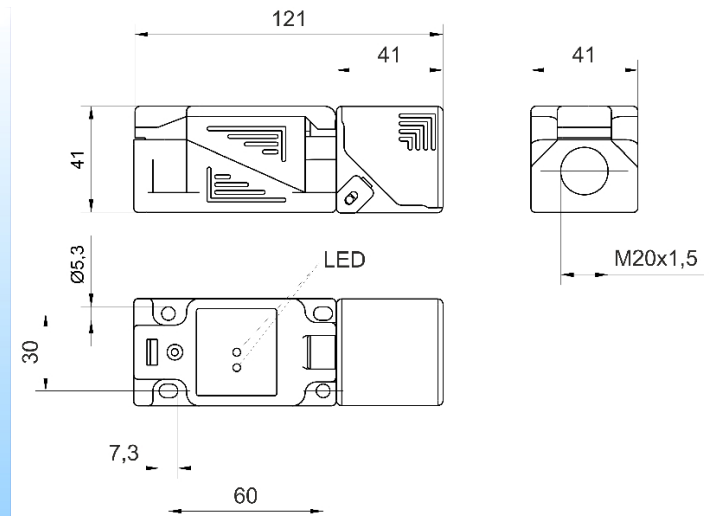


[Article Page](#)

Product Description



inductive sensor analogue





Name
Order number
Matchcode
Switching distance
Mounting

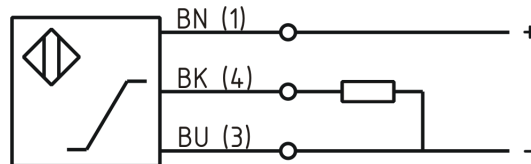
Switch type

Signal Type
Connection
Connection diagramm

KJ20-Q40KN-ANU
08317141100
9814-1100
from 10 mm to 20 mm

 non shielded

 analog
Analog Voltage
Terminal



Q 40 x 40 x 120

Dimension (in mm)
Technical Specification
Special features

Output Voltage 1 ... 9 Volt
rotatable sensor head

Operating voltage
Max. ripple
No load current
Switching frequency
Operating temperature
Temperature drift
Repeat accuracy
Linearity
Time delay
Reverse voltage protection
Protection category
EMC-level
Housing material
Material active face
Utilisation category
Nominal operating voltage
Termination
internalt load resistor

18 - 30 VDC
≤ 10 %
≤ 10 mA
25 Hz
-25 ° C to 70 ° C
+/- 10 %
≤ 5 %
≤ 3 %
500 ms
yes
IP67
DIN EN 60947-5-7:2004-06
Trogamid
Trogamid T
DC 13
24 V DC
Terminal 1,5mm²

Mouser Electronics

Authorized Distributor

Click to View Pricing, Inventory, Delivery & Lifecycle Information:

[Altech:](#)

[08317141100](#)