

## AL 55-3 – Aluminum – 50 x 45 mm (1.97 x 1.77 in.)

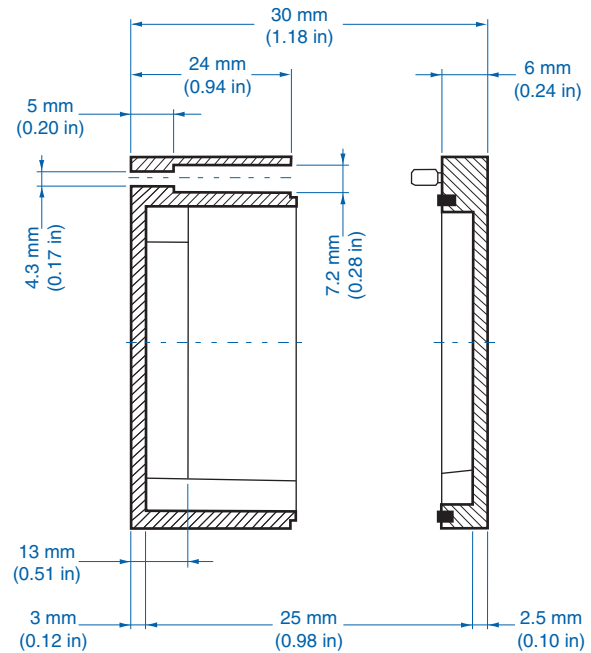
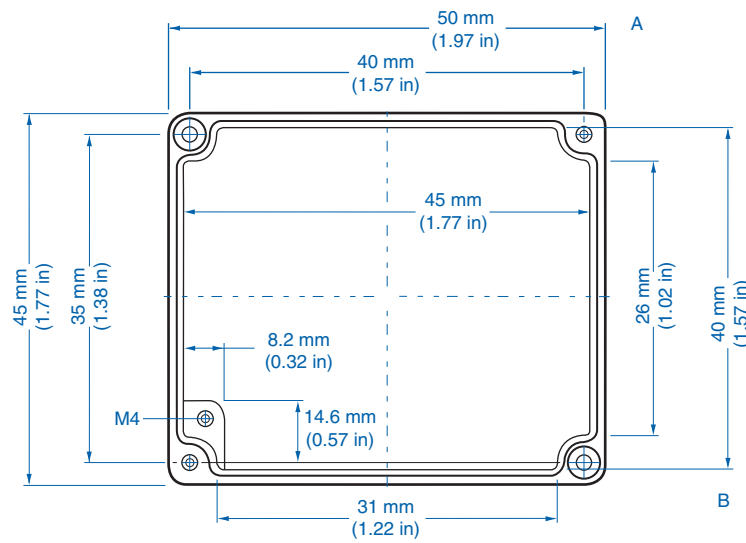
### Standard Features

- **Protection Level:** IP66
- **Technical:** Smooth Sidewalls
- **Enclosure Material:** Cast Aluminum, Al Si 12
- **Gasket Material:** Polyurethane
- **Temperature Range:** -35°C to 80°C (-31°F to 176°F)
- **Color:** Silver Gray, RAL 7001
- **Accessories:** See section below



### Aluminum

| Ordering Information | Cat. No. | Type    | Length          | Dimensions mm (in) |                 | Std. Pk. |
|----------------------|----------|---------|-----------------|--------------------|-----------------|----------|
|                      |          |         |                 | Width              | Height          |          |
| Enclosure            | 150-001  | AL 55-3 | 50 mm (1.97 in) | 45 mm (1.77 in)    | 30 mm (1.18 in) | 1        |



# Mouser Electronics

Authorized Distributor

Click to View Pricing, Inventory, Delivery & Lifecycle Information:

[Altech:](#)

[150-001](#)