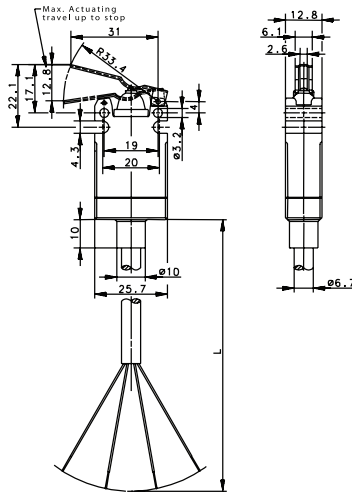
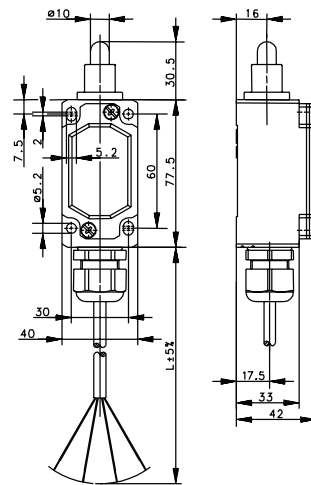


## EEX and ENM2 Series Limit Switches

### EEX FH

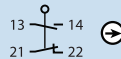


### ENM2 IW

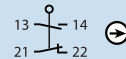


6.5' (2 meter) connection cable

**609.0145.007**  
EEX-SU1Z FH -2M-



**609.7152.052**  
ENM2-SU1Z EX IW -2M-



16.4' (5 meter) connection cable

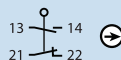
-

**609.7152.054**  
ENM2-SU1Z EX IW -5M-

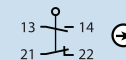


29.5' (9 meter) connection cable

**609.0145.010**  
EEX-SU1Z FH -9M-



**609.7152.055**  
ENM2-SU1Z EX IW -9M-



#### EX Certification

II 2 G EEx d IIC T6

II 2 G EEx d IIC T6

#### Technical Information

Maximum Switching Voltage	230V	230V
Maximum Switching Amperage	5A	5A
B10d	4 Million	4 Million
Mechanical Service Life	2 x 10 <sup>6</sup>	2 x 10 <sup>6</sup>
Switching Frequency	≤ 120/min	≤ 50/min
Operating Temperature	-20 °C to +65 °C	-20 °C to +65 °C
Protection Rating	IP66 / IP67	IP66 / IP67
Utilization Category	AC 15, 240 V / 3 A; DC 13, 250 V / 0.27 A	AC 15, 240 V / 3 A; DC 13, 250 V / 0.27 A
Rate Insulation Voltage	250VAC	250VAC

Drawing dimensions in mm

# Mouser Electronics

Authorized Distributor

Click to View Pricing, Inventory, Delivery & Lifecycle Information:

[Altech:](#)

[609.0145.010](#) [609.0145.007](#) [609.7152.055](#) [609.7152.052](#) [609.7152.054](#)