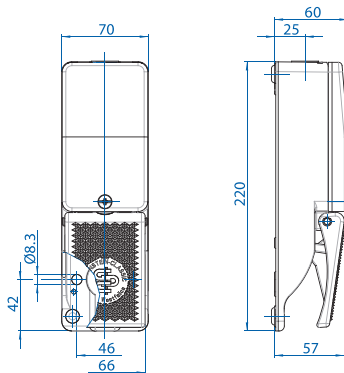


Single Pedal Without Cover

STANDARD



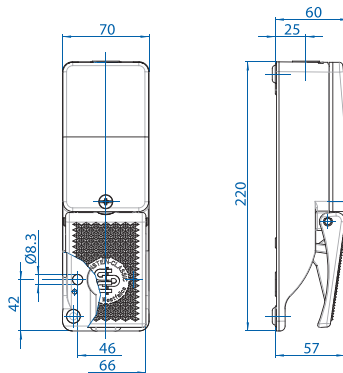
Standard OFF-ON Operation - Push pedal to change contact state. Release pedal to return to original state.



STANDARD with IP67 & IP68 PROTECTION



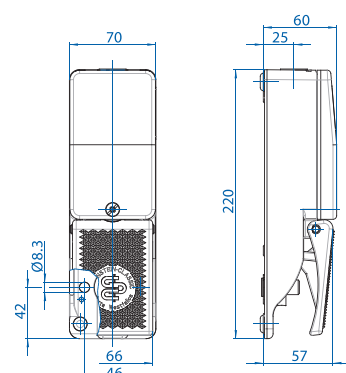
Standard OFF-ON Operation - Push pedal to change contact state. Release pedal to return to original state. With IP67 & IP68 Protection Rating (Temporary Submersion).



TWO STAGE OPERATION



Two Stage Operation- Press Pedal to change the state of the first set of contacts. Continue to press further to change the second set of contacts.



| Single pedal foot switch F1 | | | |
|-----------------------------|-------------|--------------------|---------|
| Article number | Designation | Switching contacts | |
| Snap-action contact: | | | |
| | | | Pedal 1 |
| 606.1300.011 | F1-SU1Z | 1NC / 1NO | |
| 606.1400.061 | F1-SU2Z | 2NC / 2NO | |
| Slow-action contact: | | | |
| | | | Pedal 1 |
| 616.1100.005 | F1-U1Z | 1NC / 1NO | |
| 606.1200.003 | F1-U2Z | 2NC / 2NO | |

| Single pedal foot switch F1 | | | |
|-------------------------------------|-------------|-------------|--------------------|
| Article number | Cable Entry | Designation | Switching contacts |
| Slow-action contact (IP 67): | | | |
| | | | Pedal 1 |
| 616.1100.469 | 1 x M20 | F1-U1Z | 1NC / 1NO |
| 616.1100.469 | 3 x M20 | F1-U1Z | 1NC / 1NO |
| Slow-action contact (IP 68): | | | |
| | | | Pedal 1 |
| 616.1100.251 | 1 x M20 | F1-U1Z | 1NC / 1NO |

| Single pedal foot switch F1 | | | |
|-----------------------------|-------------|--------------------|----------------|
| Article number | Designation | Switching contacts | Pressure point |
| Slow-action contact: | | | |
| | | | Pedal 1 |
| 606.1200.007 | F1-U2ZD | 2NC / 2NO | 200 N |

Single Pedal Without Cover

LATCHING

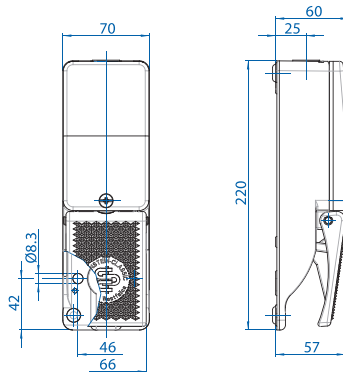
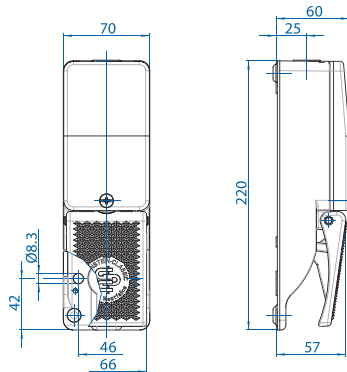


Latching Operation - Push pedal to change contact state. When you release the pedal, the contacts remain in that state. Push again to return to original state.

ANALOG OUTPUT



Analog Output Operation - As the pedal is depress, voltage or amperage (depending on model) is increase. Features an additional programmable NP NO signaling contact that activates at a preset level.



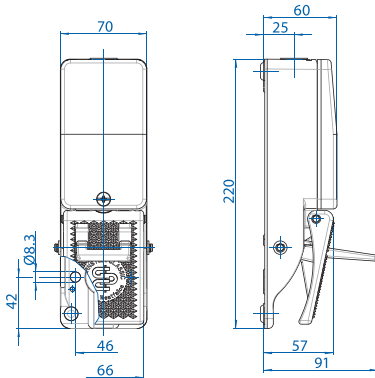
| Single pedal foot switch F1 | | | Single pedal foot switch F1 | | |
|-----------------------------|-------------|--------------------|-----------------------------|-------------|--------------|
| Article number | Designation | Switching contacts | Article number | Designation | Output Range |
| | | Pedal 1 | 616.1500.723 | F1-AU0-5 | 0 - 5 V |
| 616.1000.676 | F1-A2Y | 2NC | 616.1500.724 | F1-AU0-10 | 0 - 5 V |
| 606.1100.001 | F1-U1Y | 1NC / 1NO | 616.1500.725 | F1-AI0-20 | 0 - 20 mA |
| | | | 616.1500.726 | F1-AI4-20 | 4 - 20 mA |

Single Pedal With Kick Protection

STANDARD with Anti Trip



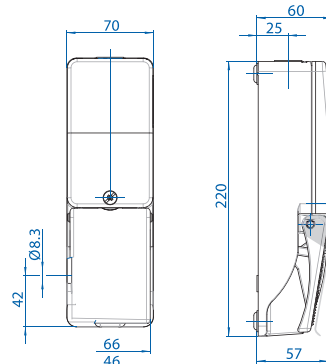
Standard OFF-ON Operation - Push forward in the Anti Trip Pedal Lock to release. Push down pedal to change contact state. Release pedal to return to original state.



STANDARD with Protective Hinged Cover



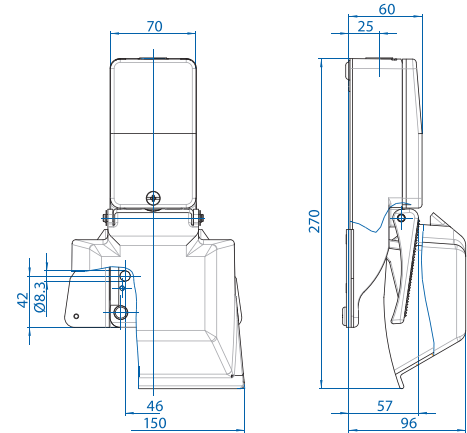
Standard OFF-ON Operation - Lift protective hinged cover up to activate pedal. Push pedal down to change contact state. Release pedal to return to original state. With IP67 Protection Rating (Temporary Submersion).



STANDARD with Protective Shroud



Standard OFF-ON Operation - Lift protective hinged Shroud up to activate pedal. Push pedal down to change contact state. Release pedal to return to original state.



| Single pedal foot switch F1 | | |
|-----------------------------|-------------|--------------------|
| Article number | Designation | Switching contacts |
| 616.1100.554 | F1-U1Z AT | 1NC / 1NO |

| Single pedal foot switch F1 | | |
|-----------------------------|-------------|--------------------|
| Article number | Designation | Switching contacts |
| 606.1400.572 | F1-SU2Z PS | 2NC / 2NO |

| Single pedal foot switch F1 | | |
|-----------------------------|-------------|--------------------|
| Article number | Designation | Switching contacts |
| 616.1600.071 | F1-U1Z UK | 1NC / 1NO |

Mouser Electronics

Authorized Distributor

Click to View Pricing, Inventory, Delivery & Lifecycle Information:

Altech:

[616.1600.295](#) [616.1800.247](#) [616.2000.418](#) [616.2000.503](#) [616.2610.253](#) [616.1000.676](#) [616.1100.251](#)
[616.1100.469](#) [616.1600.071](#) [616.1600.400](#) [616.1700.091](#) [616.1700.660](#) [616.2630.452](#) [616.2630.751](#) [616.2720.504](#)
[616.2720.566](#) [616.2720.623](#) [616.2720.675](#) [616.2720.696](#) [616.2720.711](#) [616.2830.197](#) [616.2830.500](#)
[616.2830.531](#) [616.2830.740](#) [616.2930.689](#) [616.3000.698](#) [616.3000.737](#) [616.3015.473](#) [616.3111.670](#) [616.3222.647](#)
[616.3500.703](#) [616.3833.741](#) [616.9200.003](#) [616.1000.288](#) [616.1000.306](#) [616.1000.451](#) [616.1000.487](#)
[616.1000.513](#) [616.1000.559](#) [616.1000.736](#) [616.1100.424](#) [616.1100.432](#) [616.1100.494](#) [616.1100.734](#) [616.1200.444](#)
[616.1200.492](#) [616.1200.641](#) [616.1300.341](#) [616.1500.686](#) [616.1500.690](#) [616.1600.584](#) [616.1600.657](#)
[616.1600.682](#) [616.1600.735](#) [616.1600.738](#) [616.1700.213](#) [616.1700.453](#) [616.1700.510](#) [616.1700.587](#) [616.1700.746](#)
[616.1800.575](#) [616.1800.645](#) [616.1800.649](#) [616.1800.653](#) [616.1800.662](#) [616.1800.739](#) [616.1900.679](#)
[616.2000.316](#) [616.2000.486](#) [616.2000.553](#) [616.2000.600](#) [616.2000.627](#) [616.2000.663](#) [616.2000.706](#) [616.2000.732](#)
[616.2000.733](#) [616.2000.744](#) [616.2000.753](#) [616.2440.745](#) [616.2440.783](#) [616.2610.671](#) [616.2610.693](#)
[616.2610.701](#) [606.1600.002](#) [606.5300.002](#) [606.0700.028](#) [606.3711.571](#) [606.0600.026](#) [606.3612.423](#)