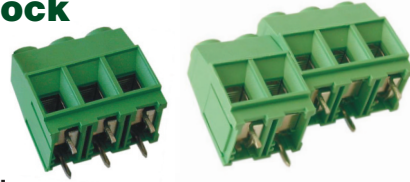


PCB Terminal Block

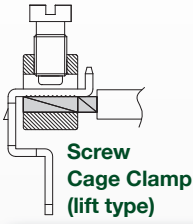
9.52 mm Pin Spacing

- Board Mount PCB
- 57A Current Rating
- Height 29.3mm
- Modular
- Alternate Pinning Version



MV10xx-10,16-V

Front Wire Entry, High Current



Electrical Ratings

	B	C	D	
Usergroup				-
Rated Voltage	300V	300V	600V	750V
Rated Current	57A (42A)	57A (42A)	57A (42A)	70A (49A)
Wire Size	<i>solid</i> 30-6 AWG <i>stranded</i> 30-6 AWG	30-6 AWG	30-6 AWG	0.25mm ² - 16.0mm ² 0.25mm ² - 10.0mm ²



Ordering Information

No. Poles	Length (mm)	Std. Pack	Order # - Double Pin	Order # - Alternate Pins
1	10.16	10	MV-1001	-
2	20.32	100	MV-1002	MV102-10,16-V-A
3	30.48	100	MV-1003	MV103-10,16-V-A
4	40.64	100	MV-1004	MV104-10,16-V-A
5	50.80	100	MV-1005	MV105-10,16-V-A
6	60.96	100	MV-1006	MV106-10,16-V-A
7	71.12	50	MV-1007	MV107-10,16-V-A
8	81.28	50	MV-1008	MV108-10,16-V-A
9	91.44	50	MV-1009	MV109-10,16-V-A
10	101.60	50	MV-1010	MV1010-10,16-V-A
11	111.76	50	MV-1011	MV1011-10,16-V-A
12	121.92	50	MV-1012	MV1012-10,16-V-A

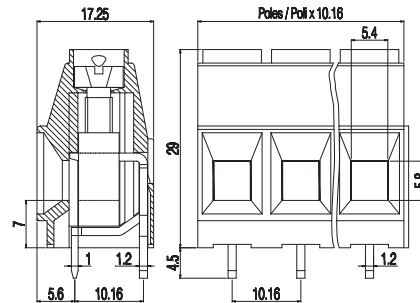
Material Specifications

Clamp	Tin-Plated Copper
Solder tab	Tin-Plated Copper
Screw	Galvanized Steel
Insulating Material	Polyamide
Flammability Class	V0 UL94
Operating Temperature	-30°C - +105°C

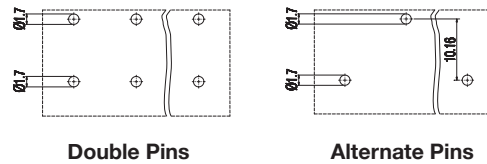
Installation Data

Screw Size	M4
Torque	1.2 Nm (10.8 lb.in.)
Stripping Length	max. 15mm
Clamp Opening	5.8 x 5.4mm
PCB Hole Size	1.7mm

Dimensions (mm)



Drilling Diagram



Mouser Electronics

Authorized Distributor

Click to View Pricing, Inventory, Delivery & Lifecycle Information:

[Altech:](#)

[MV102-10,16-V-A](#) [MV101-10,16-V-E-A](#) [MV103-10,16-V-A](#) [MV101-20,32-V](#) [MV102-20,32-V](#) [MV-1001](#) [MV104-20,32-V](#) [MV103-20,32-V](#)