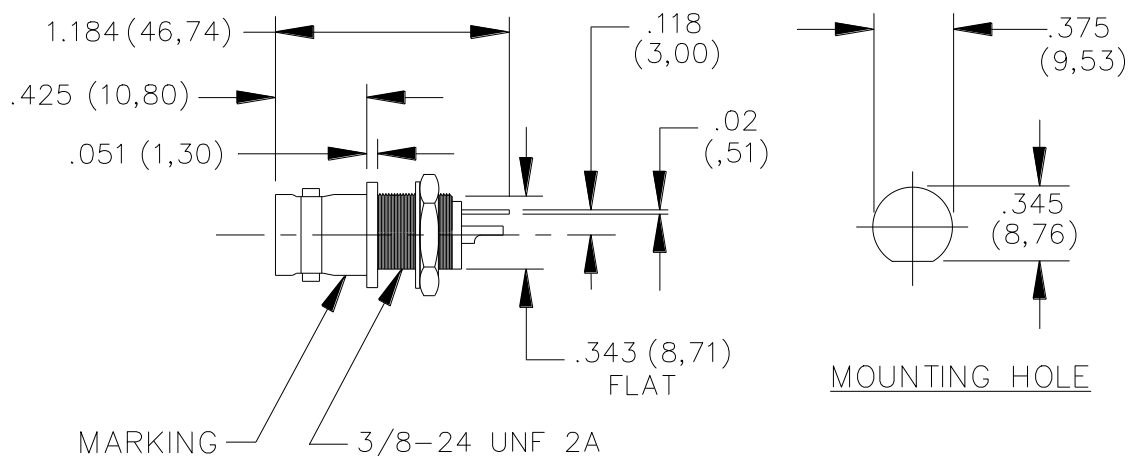


Model 5148
BNC (Female) Bulkhead Receptacle, Isolated Ground**Features**

- Valox Insulation
- Mounting hardware is isolated from outer conductor of BNC, internal tooth lockwasher, and hex nut

Materials

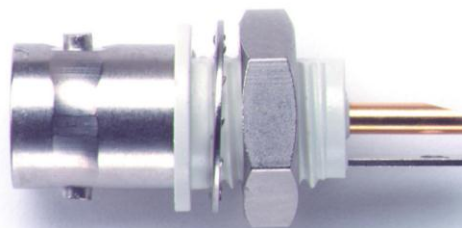
Body: Brass, Tarnish Resistant Plating
Center Contact: Gold Plated Beryllium Copper
Marking: "Pomona 5148" (optional)

Ratings

Nominal Impedance: 50 Ohm

Ordering Information

Model 5148



USA: Sales: 800-490-2361
Technical Support: technicalsupport@pomonatest.com
Fax: 425-446-5844
Europe: 31-(0) 40 2675 150 **International:** 425-446-5500
Where to Buy: www.pomonaelectronics.com

All dimensions are in inches. Tolerances (except noted): .xx = ± 0.02 " (.51 mm), .xxx = ± 0.005 " (.127 mm). All specifications are to the latest revisions. Specifications are subject to change without notice. Registered trademarks are the property of their respective companies.

Mouser Electronics

Authorized Distributor

Click to View Pricing, Inventory, Delivery & Lifecycle Information:

[Pomona:](#)

[5148](#)