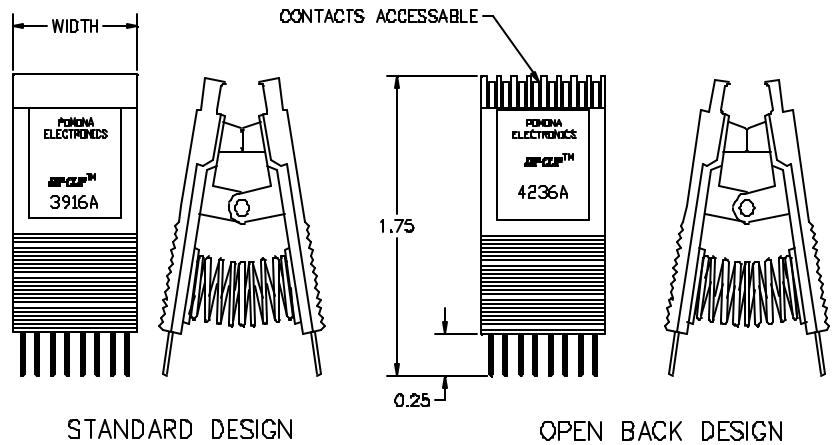


DIP Clips® for 8-14-16-20-24-40 Pin Clips And 8 Through 40 Pin DIP Removers

Pomona DIP Clip® test clips are designed for testing dual-in-line IC packages on PC boards. These devices incorporate many built-in features that assure a positive electrical connection as well as hands free testing.

- Contacts (.040" wide on lower end) are serrated for the best electrical contact.
- .025" X .028" serrated test points on upper end will accept wire wraps or mini test clips.
- Molded barriers between contacts allows live board connections without accidental shorting of contacts.



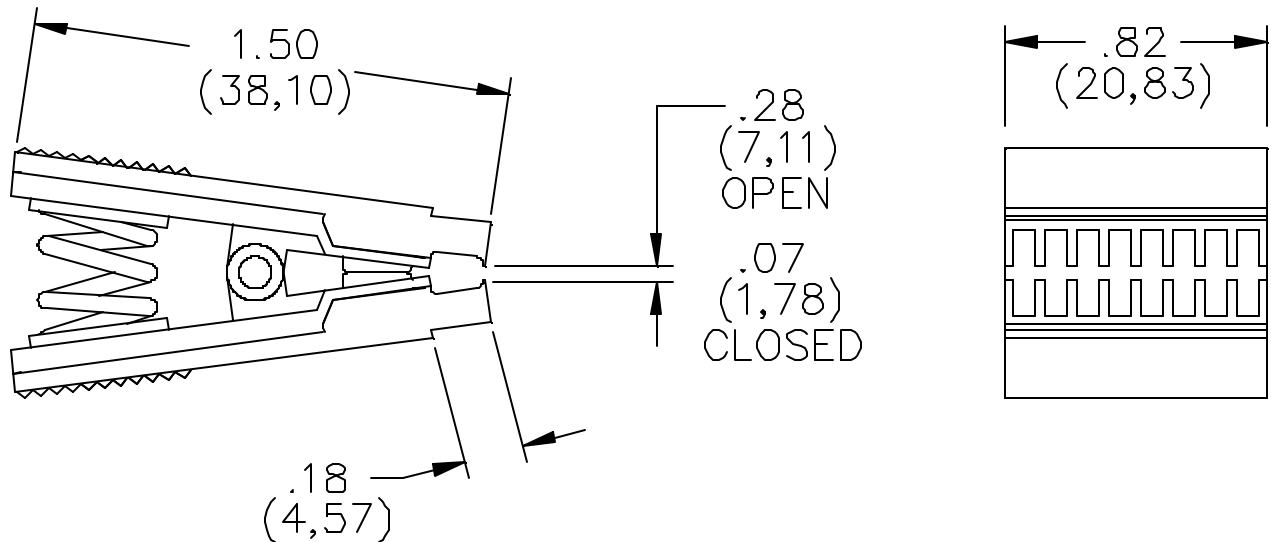
- Can also be used as an insertion tool for DIPs.
- Contacts are spring tempered Nickel Silver or Gold Plated Beryllium Copper alloy. Oxide penetrating clips have a roughened stainless steel surface treatment.
- Open back option allows probing on the chip leads while clip is attached.

Pomona's DIP Clip® test clips are perfect for emulation, field service, failure analysis, and for use with logic analyzers.

Size Pins	Clip Width	Standard DIP Clip®	Open Back DIP Clip®	Contact Material and Plating	Oxide Penetrating DIP Clip®	Static Control DIP Remover
8	.43	5108	5208	Be-Cu, Gold Plate	5649	5016
14	.72	5014	5114	Nickel Silver	5650	5016
		5214	5314	Be-Cu, Gold Plate	5650	5016
16	.83	3916A	4236A	Nickel Silver	5692	5016
		5116	5216	Be-Cu, Gold Plate	5692	5016
20	1.03	5120	5220	Be-Cu, Gold Plate	5693	5016
24	1.22	4124A	4324A	Nickel Silver	5694	5024
		5124	5224	Be-Cu, Gold Plate	5694	5024
40	2.02	4140A	4340A	Nickel Silver	5695	5040
		5140	5240	Be-Cu, Gold Plate	5695	5040

All dimensions are in inches. Tolerances (except noted): .xx = ±.02" (.51 mm), .xxx = ± .005" (.127 mm).
All specifications are to the latest revisions. Specifications are subject to change without notice.
Registered trademarks are the property of their respective companies. Made in USA

DIP Clips® for 8-14-16-20-24-40 Pin Clips And 8 Through 40 Pin DIP Removers



FEATURES:

- For use with 14 or 16 Dual-In-Line I.C. packages.

MATERIALS:

Insulation: Glass filled nylon. Color: Red.

Hinge Pin: Stainless steel 302, passivated per QQ-P-35.

RATINGS:

Operating Temperature: +102°C. (+216°F.) Max.

ORDERING INFORMATION: Model 4386

All dimensions are in inches. Tolerances (except noted): .xx = ±.02" (.51 mm), .xxx = ± .005" (.127 mm).

All specifications are to the latest revisions. Specifications are subject to change without notice.

Registered trademarks are the property of their respective companies. Made in USA

Mouser Electronics

Authorized Distributor

Click to View Pricing, Inventory, Delivery & Lifecycle Information:

[Pomona:](#)

[5692](#)