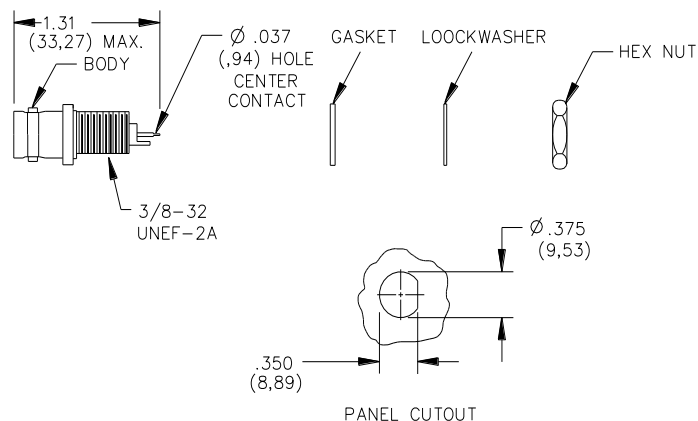
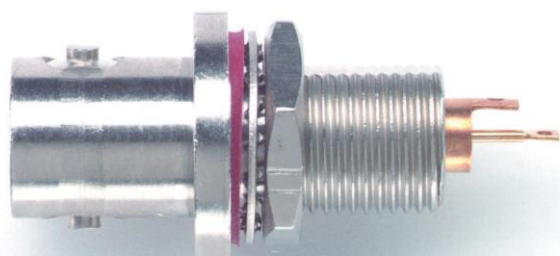


Model 4388
Triaxial BNC, Hermetic Sealed, Bulkhead Receptable



Features

- Mounts onto smooth surface panels up to 6.35mm (.25in)
- Hermetic Seal – 50 PSI differential pressure
- Leakage rate less than 10^{-7} cc/sec of tracer gas at one atmosphere

Materials

Body and Fittings: Brass, Alloy 360, 1/2 Hard

Dielectric: PTFE

Center and Intermediate Contacts: Gold Plated Beryllium Copper, Cond. HT.or Brass per body.

Gasket: Silicone rubber per ZZ-R-765, Class 11, Grade 50.

Finish: Body and Fittings – Tarnish resistant.

Center and Intermediate Contacts – Gold plate per requirements of MIL-C-49142.

Ratings

Nominal Impedance: 50Ω

Operating Voltage: 500 Vrms

Frequency: DC to 500 MHz

Operating Temperature: -65°C to +165°C (-85°F to +329°F)

Insulation Resistance: 5000 MΩ

Ordering Information

Model: 4388

USA: Sales: 800-490-2361
Technical Support: technicalsupport@pomonatest.com
Fax: 425-446-5844

Europe: 31-(0) 40 2675 150 **International:** 425-446-5500

Where to Buy: www.pomonaelectronics.com

All dimensions are in inches. Tolerances (except noted): .xx = $\pm .02$ " (.51 mm), .xxx = $\pm .005$ " (.127 mm). All specifications are to the latest revisions. Specifications are subject to change without notice. Registered trademarks are the property of their respective companies.

Mouser Electronics

Authorized Distributor

Click to View Pricing, Inventory, Delivery & Lifecycle Information:

[Pomona:](#)

[4388](#)