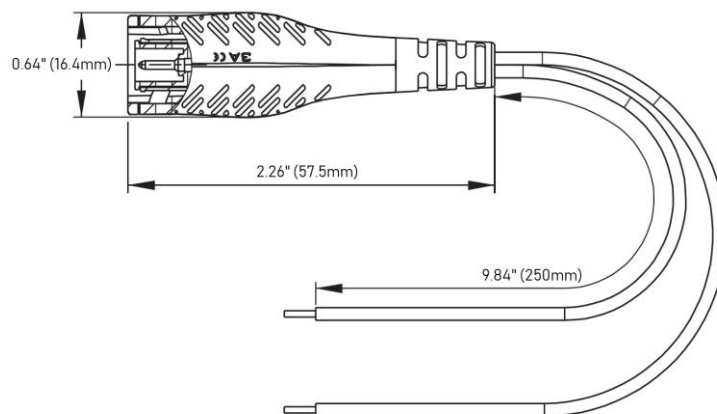


Model 73105
BNC (M) Breakout to Flying Leads**Features**

- Insulated BNC connector for added protection
- Breakout quickly converts a BNC cable to flying leads
- Flying leads are silicone insulated for flexibility
- BNC center contact is gold plated for corrosion resistance, low contact resistance
- 25cm length flying leads allow for custom configurations and terminations

Materials

Center Conductor: Nickel-plated Brass, Gold-plated Brass, Annealed Copper

Insulation: Polypropylene

Wire Insulation: Silicone

Ratings

Voltage: 30 V AC / 60 V DC

Current: 3 amperes

Operating Temperature: -20°C to +80°C (-4°F to +176°F)

Ordering Information

Model: 73105

BNC (M) Breakout to Flying Leads

USA: Sales: 800-490-2361
Technical Support: technicalsupport@pomonatest.com
Fax: 425-446-5844

Europe: 31-(0) 40 2675 150 **International:** 425-446-5500

Where to Buy: www.pomonaelectronics.com

All dimensions are in inches. Tolerances (except noted): .xx = ±.02" (.51 mm), .xxx = ±.005" (.127 mm). All specifications are to the latest revisions. Specifications are subject to change without notice. Registered trademarks are the property of their respective companies.

Mouser Electronics

Authorized Distributor

Click to View Pricing, Inventory, Delivery & Lifecycle Information:

Pomona:

73105