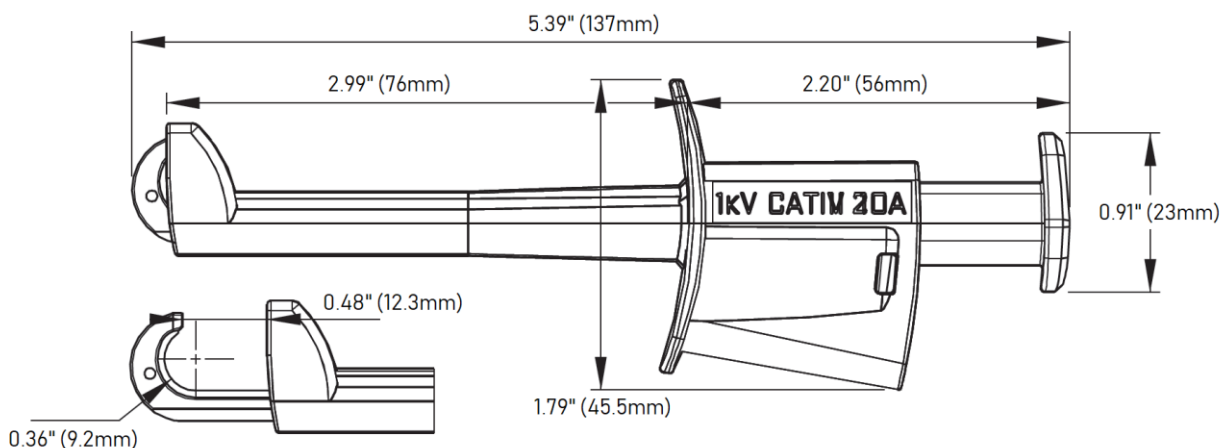


Model 73103
Maxigrabber® with Reinforced Insulation**Features**

- Reinforced insulation for increased electrical protection
- Designed for connections to high current conductors
- 12mm hook opening
- Ideal for electronic, electrical and industrial applications where access to hard-to-reach high voltage test points is a requirement
- Safety 4mm banana jack mates with Pomona's 5907A, 5908A, and 5909A test lead sets for interfacing with Digital Multi-Meters

Materials

Conductor: Nickel-plated brass, steel, and brass
Insulation: Polypropylene and Nylon 6

Ratings

Voltage: CAT II 1000V / CAT III 1000V / CAT IV 1000V
Current: 20 amperes
Operating Temperature: +5°C to +45°C (+41°F to 113°F)

Ordering Information

Model: 73103-*color*
Color: 0=Black, 2=Red
Maxigrabber® with Reinforced Insulation



USA: Sales: 800-490-2361
Technical Support: technicalsupport@pomonatest.com
Fax: 425-446-5844
Europe: 31-(0) 40 2675 150 **International:** 425-446-5500
Where to Buy: www.pomonaelectronics.com

All dimensions are in inches. Tolerances (except noted): .xx = ±.02" (.51 mm), .xxx = ±.005" (.127 mm). All specifications are to the latest revisions. Specifications are subject to change without notice. Registered trademarks are the property of their respective companies.

Mouser Electronics

Authorized Distributor

Click to View Pricing, Inventory, Delivery & Lifecycle Information:

[Pomona:](#)

[73103-0](#) [73103-2](#)