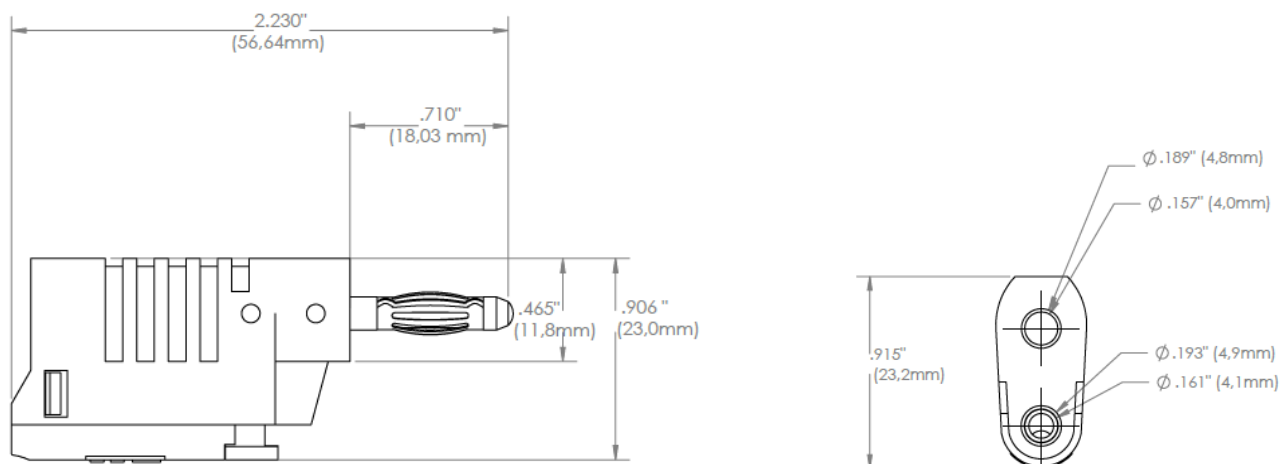


Model 73092

DIY Stackable 4mm Banana Plug, Quick Wire Attachment



Features

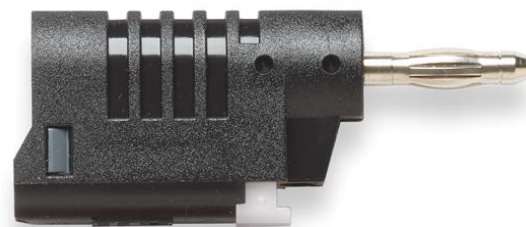
- Attach wires quickly with the push-button tab for easy assembly or test lead repair
- No soldering or set screws required; simply, push and hold the push tab, insert the stripped test lead wire (*strip 4-6mm of insulation*), and release the push tab to secure the wire down
- Great in low voltage applications where prototyping and quick wire attachments are important
- Stackable for chaining additional connections and test versatility
- Make 4mm banana plug patch cords conveniently in the field
- Designed to fit on the end of any 22 AWG to 18 AWG wire gauge

Materials

Contact: Nickel-plated brass and steel
Insulation: Polyamide and Polyoxymethylene

Specifications

Voltage	33 V AC / 70 V DC
Max Current	36 A
Max Resistance	less than 10 m Ω



Ordering Information

Model: 73092-*color*

Color: 0=Black, 2=Red, 4=Yellow, 5=Green, 6=Blue, 9=White

DIY Stackable 4mm Banana Plug, Quick Wire Attachment

USA: Sales: 800-490-2361
Technical Support: technicalsupport@pomonatest.com
Fax: 425-446-5844

Europe: 31-(0) 40 2675 150 **International:** 425-446-5500

Where to Buy: www.pomonaelectronics.com

All dimensions are in inches. Tolerances (except noted): .xx = $\pm .02"$ (.51 mm), .xxx = $\pm .005"$ (.127 mm). All specifications are to the latest revisions. Specifications are subject to change without notice. Registered trademarks are the property of their respective companies.

Mouser Electronics

Authorized Distributor

Click to View Pricing, Inventory, Delivery & Lifecycle Information:

Pomona:

[73092-4](#) [73092-5](#) [73092-9](#) [73092-2](#) [73092-6](#) [73092-0](#)