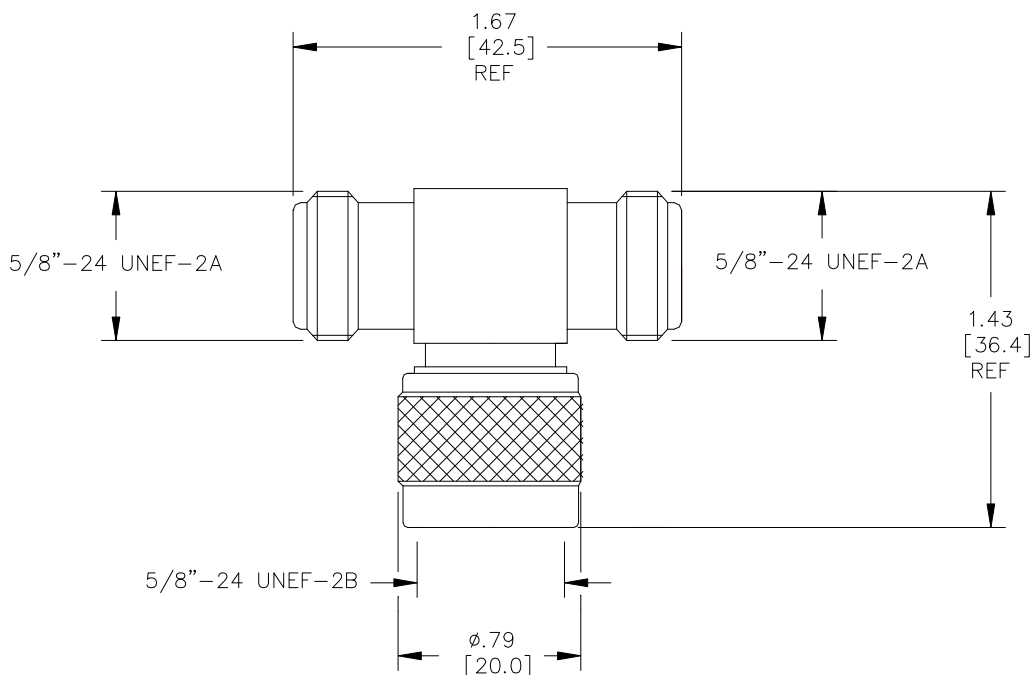


Model 73044
N Type "T" Jack-Plug-Jack Adapter



Model 73044
N Type "T" Jack-Plug-Jack Adapter

Features

- DC – 4GHz bandwidth.
- Connectors are precision machined.
- Meets interface requirements MIL-C-39012.

Materials

Center Conductor:
Male: Brass, Gold Plated
Female: Phosphor Bronze, Gold Plated
 Connector Body: Brass, Nickel Plated
 Insulators: PTFE

Specifications

Impedance: 50Ω
 Frequency Range: DC – 4GHz
 Contact Resistance:
 Center Conductor: ≤1.0 mΩ
 Outer Conductor: ≤0.2 mΩ
 Insulation Resistance: ≥ 5000 MΩ
 Dielectric Withstand Voltage: 1500V
For CE compliance, do not hold in hand when voltages exceed 33 Vrms / 70 Vdc.
 Number of Insertions: 500 cycles minimum

Ordering Information

Model: **73044**

USA: Sales: 800-490-2361
 Technical Support: technicalsupport@pomonatest.com
 Fax: 425-446-5844

Europe: 31-(0) 40 2675 150 **International:** 425-446-5500

Where to Buy: www.pomonaelectronics.com

All dimensions are in inches. Tolerances (except noted): .xx = ±.02" (.51 mm), .xxx = ±.005" (.127 mm). All specifications are to the latest revisions. Specifications are subject to change without notice. Registered trademarks are the property of their respective companies.

Mouser Electronics

Authorized Distributor

Click to View Pricing, Inventory, Delivery & Lifecycle Information:

[Pomona:](#)

[73044](#)