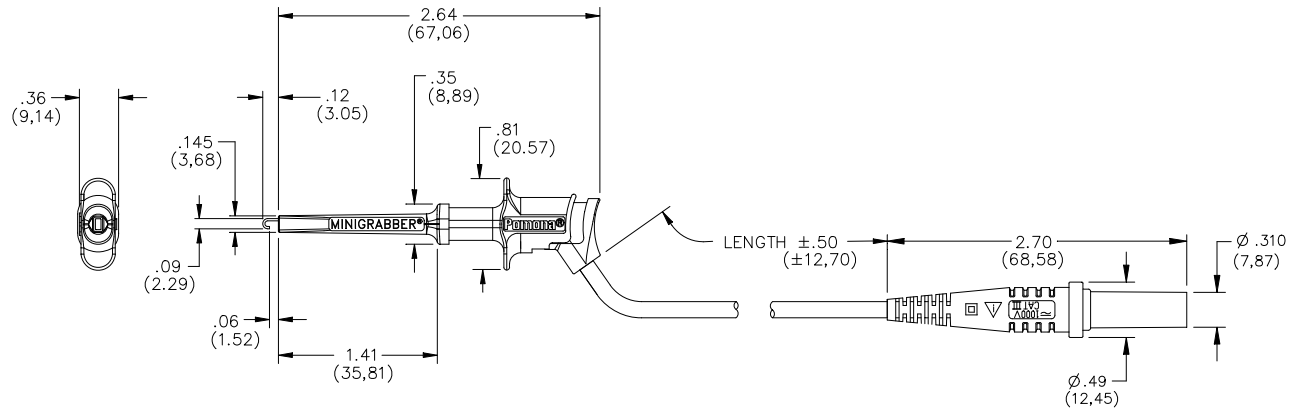


Model 6245 Minigrabber® Test Clip to Straight Sheathed Banana Plug



Features

- Newly designed Minigrabber® Test Clip Patch Cord complies with IEC 61010-2-31, which is the latest international safety standard for test accessories.
- Grabber width is a slim .36" (9,14 mm) for easier side by side stacking.
- Grabber hook is gold plated Beryllium Copper to ensure signal integrity.
- Grabber hook attaches onto component leads up to .060" (1,5 mm) O.D.
- Grabber patch cord interfaces directly into the most popular multimeters configured with 4 mm sheathed safety jacks including Amprobe, Fluke, H.P., Tektronix and Wavetek.
- Plug is molded directly to the cable in an integral one-piece design and the wire is double crimped for a long lasting connection.
- Multi-leaf banana spring material is nickel plated Beryllium Copper for extended insertion life and low contact resistance.
- High strand count silicone insulated wire offers excellent flexibility and high temperature resistance.

Materials

Grabber: Body: Polypropylene, Color per Part Number
Hook: Beryllium Copper, Gold Plated, compression Spring: Music Wire
Wire: 18 AWG, 65 x 36 Tinned Copper, Insulation – Silicone, .144" (3,66 mm) O.D., Color per P/N
Banana Plug: Body – Brass, Nickel Plated, Spring – Beryllium Copper, Nickel Plated
Insulation – Polypropylene, Color per P/N

Ratings

IEC 61010 2-031, Category II, P2 Compliant
Operating Voltage: 300 VRMS/DC Max.
Current: 5 Amperes Max.

Ordering Information

Model 6245-XX-*
XX = Length in Inches, Standard Length: 48" (122 cm)
* = Color Code, -0 Black, -2 Red

USA: Sales: 800-490-2361
Technical Support: technicalsupport@pomonatest.com
Fax: 425-446-5844

Europe: 31-(0) 40 2675 150 International: 425-446-5500
Where to Buy: www.pomonaelectronics.com

All dimensions are in inches. Tolerances (except noted): .xx = ±.02" (.51 mm), .xxx = ±.005" (.127 mm). All specifications are to the latest revisions. Specifications are subject to change without notice. Registered trademarks are the property of their respective companies.

Mouser Electronics

Authorized Distributor

Click to View Pricing, Inventory, Delivery & Lifecycle Information:

Pomona:

[6245-48-2](#) [6245-48-0](#) [6245-48-02](#)