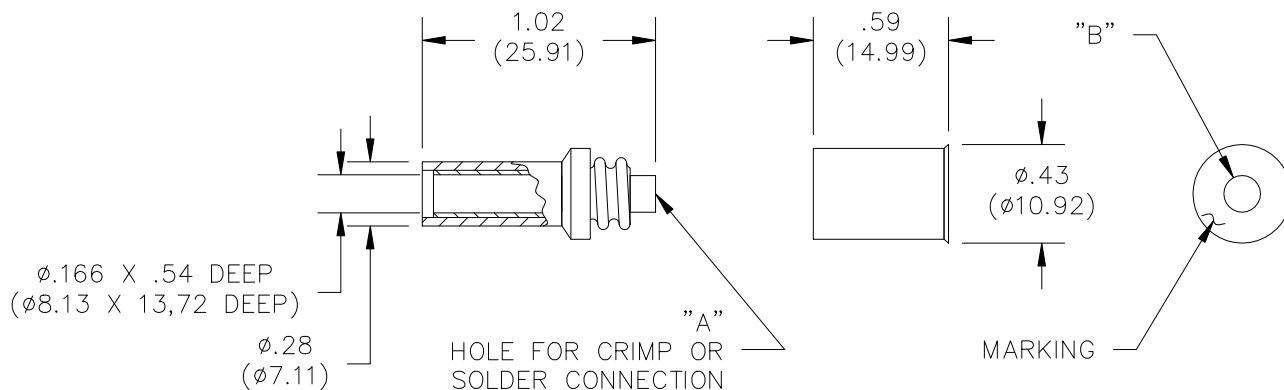


Model 4934
Do-It-Yourself In-Line Sheathed Banana Jack



Model #	Dimension "A"	Dimension "B"	Accepts Wire AWG
4934	.062" (1.57mm)	.160" (4.06mm)	18, 20, 22

Features

- Threaded two piece design allows wires to be soldered or crimped to the banana jack body.
- Fits with Pomona models 4933 and 4986 Banana Plugs.

Materials

Banana Jack Body – Brass, Nickel Plated

Insulation – Polypropylene, color per part number

Threaded Handle – Polypropylene, color per part number

Marking – "POMONA ELECT." & part number



Ratings

Operating Voltage: Hands free usage in controlled voltage environments: 1200 Vrms Max.

For CE compliance: not intended for hand-held use at voltages above 33 Vrms/70 Vdc.

Operating Temperature: +80°C (+176°F)

Current: 15 Amperes Max.

Ordering Information

Model: 4934-Color

Colors = -0 (Black), -2 (Red)

Ordering Example: 4934-2 (Banana Jack with Red insulation)

USA: Sales: 800-490-2361
 Technical Support: technicalsupport@pomonatest.com
 Fax: 425-446-5844

Europe: 31-(0) 40 2675 150 **International:** 425-446-5500

Where to Buy: www.pomonaelectronics.com

All dimensions are in inches. Tolerances (except noted): .xx = ±.02" (.51 mm), .xxx = ±.005" (.127 mm). All specifications are to the latest revisions. Specifications are subject to change without notice. Registered trademarks are the property of their respective companies.

Mouser Electronics

Authorized Distributor

Click to View Pricing, Inventory, Delivery & Lifecycle Information:

Pomona:

[4934-0](#) [4934-2](#) [4934-2#](#) [4934-0#](#)