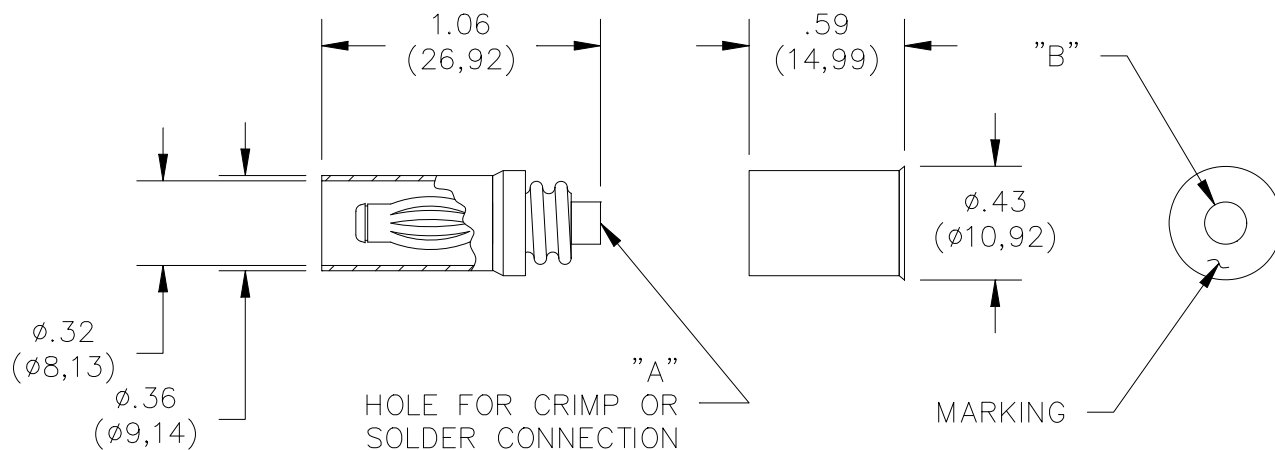


Model 4933
Do-It-Yourself In-Line Sheathed Banana Plug



| Model # | Dimension "A" | Dimension "B" | Accepts Wire AWG |
|---------|----------------|----------------|------------------|
| 4933 | .062" (1.57mm) | .160" (4.06mm) | 18, 20, 22 |

Features

- Threaded two piece design allows wires to be soldered or crimped to the banana plug.
- Banana plug spring is nickel plated Beryllium Copper for long insertion life.
- Fits into Pomona model 4934 Banana Jack.

Materials

Banana Plug: Body – Brass, Nickel Plated
Spring – Beryllium Copper, Nickel Plated
Insulation: Polypropylene, color per part number
Threaded Handle: Polypropylene, color per part number
Marking: "POMONA ELECT." & part number



Ratings

Operating Voltage: Hands free usage in controlled voltage environments: 1200 Vrms Max.
For CE compliance: not intended for hand-held use at voltages above 33 Vrms/70 Vdc.
Operating Temperature: +80°C (+176°F)
Current: 15 Amperes Max.

Ordering Information

Model: 4933-Color
Colors = -0 (Black), -2 (Red)
Ordering Example: 4933-0 (Banana Plug with Black insulation)

USA: Sales: 800-490-2361
Technical Support: technicalsupport@pomonatest.com
Fax: 425-446-5844
Europe: 31-(0) 40 2675 150 **International:** 425-446-5500
Where to Buy: www.pomonaelectronics.com

All dimensions are in inches. Tolerances (except noted): .xx = ±.02" (.51 mm), .xxx = ±.005" (.127 mm). All specifications are to the latest revisions. Specifications are subject to change without notice. Registered trademarks are the property of their respective companies.

Mouser Electronics

Authorized Distributor

Click to View Pricing, Inventory, Delivery & Lifecycle Information:

Pomona:

4933-2 4933-0#