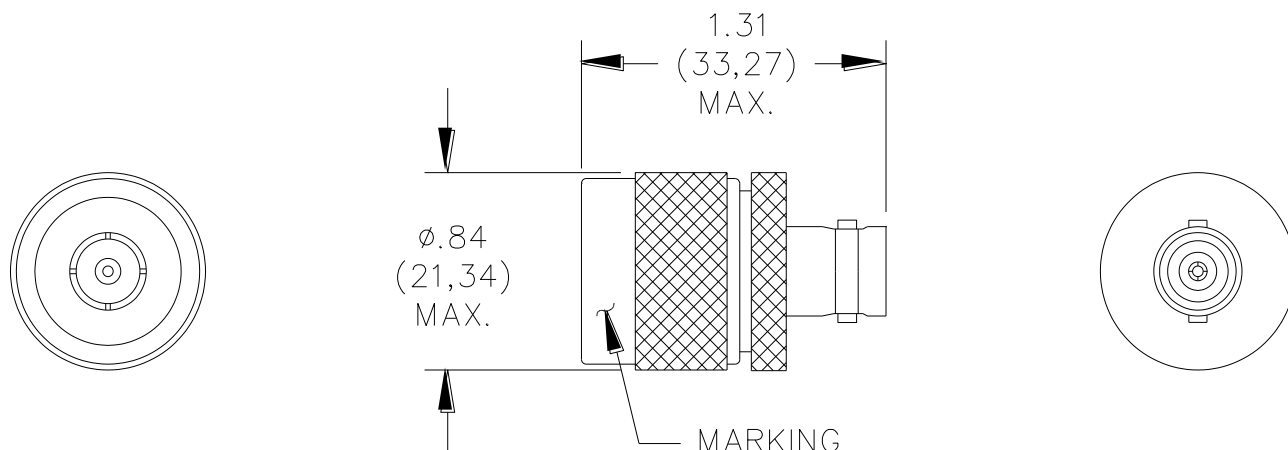


Model 3288
N-Type (Male) to BNC (Female) Adapter



Features

- Adapter allows you to convert between N-Type connections and BNC connections
- Meets the interface requirements of MIL-STD-348

Materials

Body and Fittings: Brass, Tarnish Resistant Nickel Plating
 Center Contact: Beryllium Copper, Gold Plated
 Dielectric: PTFE
 Marking: "Pomona 3288" (optional)



Ratings

Voltage: For *CE compliance* and for personal safety, do not hold in hand when voltages exceed 30 Vac/60 Vdc.
 Maximum voltage for *hands free use* in controlled testing environments: 500 Vrms
 Do not use on circuits where transient stresses can exceed the rated voltage.

Operating Temperature: -65°C to +165°C
 Nominal Impedance: 50 Ohm

Ordering Information

Model: 3288
 ADAPTER, BNC (F), N (M)

USA: Sales: 800-490-2361
 Technical Support: technicalsupport@pomonatest.com
 Fax: 425-446-5844

Europe: 31-(0) 40 2675 150 **International:** 425-446-5500
Where to Buy: www.pomonaelectronics.com

All dimensions are in inches. Tolerances (except noted): .xx = ±.02" (.51 mm), .xxx = ±.005" (.127 mm). All specifications are to the latest revisions. Specifications are subject to change without notice. Registered trademarks are the property of their respective companies.

Mouser Electronics

Authorized Distributor

Click to View Pricing, Inventory, Delivery & Lifecycle Information:

[Pomona:](#)

[3288](#)