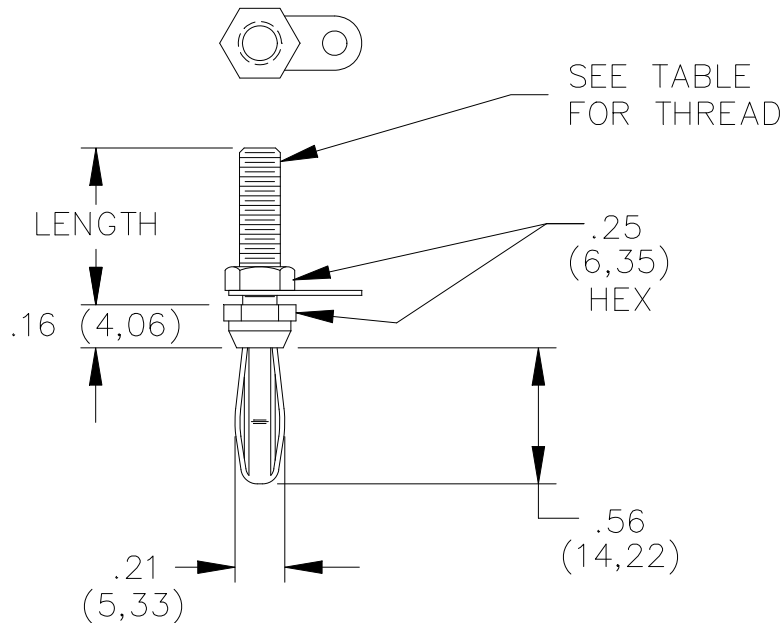


Model 3263, 3264, 4512
Standard Banana Plug with Threaded Stud and Solder Lug



Model	Length	Thread	Torque In/Lb
3263	0.50"	6-32	7.9
3264	0.50"	8-32	7.9
4512	0.63"	8-32	7.9

Features

- Threaded stud for rapid mounting.
- Furnished with hex nut and tin plated solder lug.
- Ideal for connecting power supplies or test equipment to prototype circuit boards.
- Mates to Model #1581 or any standard banana jack.

Materials

Banana Plug:

Spring: Beryllium Copper, Berylco 25 per QQ-C-533, Cond. HT

Plug Body: Brass per QQ-B-626, Alloy 360, ½ Hard

Solder Lug:

Material: Copper per QQ-C-576

Finish: Electro-tin plated

Hex Nut:

Material: Brass per QQ-B-626, Composition 22,

½ Hard

Finish: Nickel plated

Ratings

Working Voltage: 5000 VRMS

Current: 15 Amperes

Ordering Information

Model 3263

Model 3264

Model 4512

Parts are packaged ten per bag, unassembled

USA: Sales: 800-490-2361
Technical Support: technicalsupport@pomonatest.com
Fax: 425-446-5844

Europe: 31-(0) 40 2675 150 **International:** 425-446-5500

Where to Buy: www.pomonaelectronics.com

All dimensions are in inches. Tolerances (except noted): .xx = ±.02" (.51 mm), .xxx = ±.005" (.127 mm). All specifications are to the latest revisions. Specifications are subject to change without notice. Registered trademarks are the property of their respective companies.

Mouser Electronics

Authorized Distributor

Click to View Pricing, Inventory, Delivery & Lifecycle Information:

Pomona:

3263#