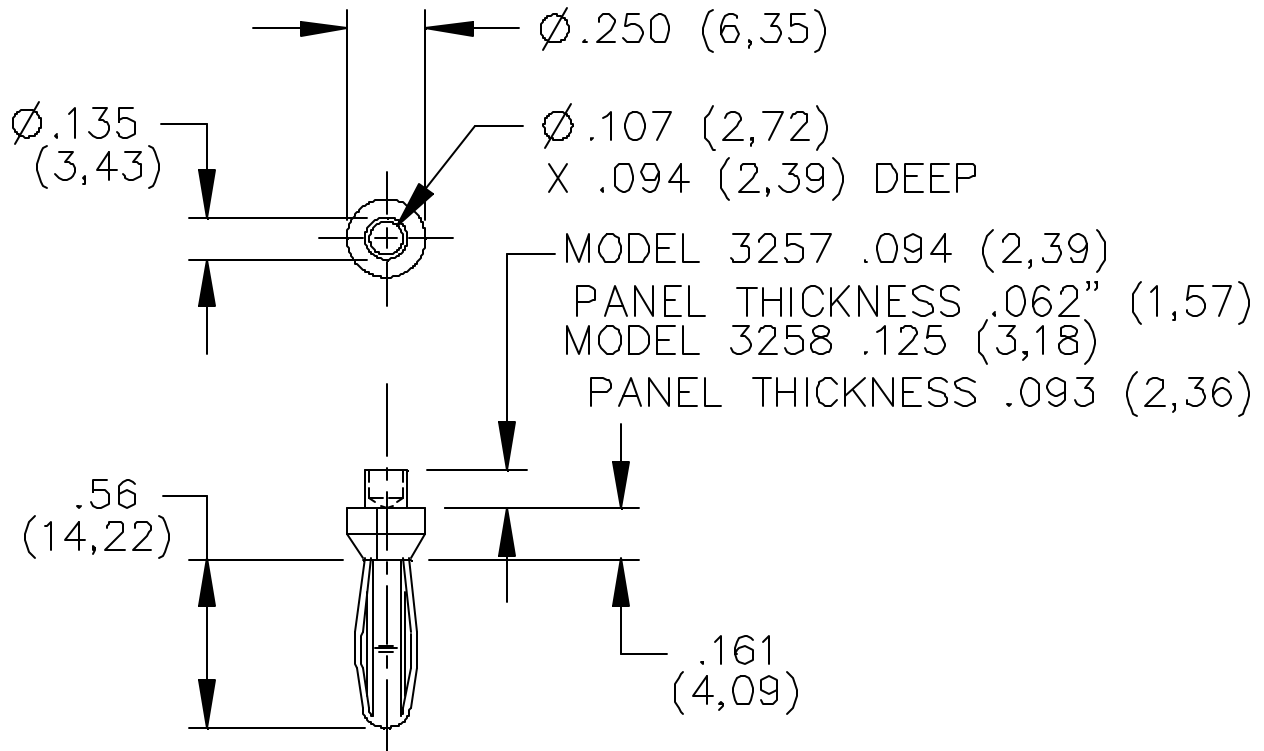


## Model 3257 & 3258 Standard Rivet Type Banana Plug For 1/16" Thick Panel



### FEATURES:

- Excellent for riveting to panels or boards.
- Fits standard (.166 dia.) banana jack

### MATERIALS:

Banana Plug Body: Brass, Alloy 360, Annealed  
 Spring: Beryllium Copper, Berylco 25, Cond. H.T.  
 Finish: Nickel plated per QQ-N-290, Class 2, 200/300 microinches

### RATINGS:

Operating Voltage: 5000 VDC  
 Current: 15 Amperes

### ORDERING INFORMATION: Model 3257 & 3258

Sold in packages of 10

All dimensions are in inches. Tolerances (except noted): .xx = ±.02" (.51 mm), .xxx = ±.005" (.127 mm).  
 All specifications are to the latest revisions. Specifications are subject to change without notice.  
 Registered trademarks are the property of their respective companies.

Made in USA

# Mouser Electronics

Authorized Distributor

Click to View Pricing, Inventory, Delivery & Lifecycle Information:

Pomona:

[3258#/BULK](#)