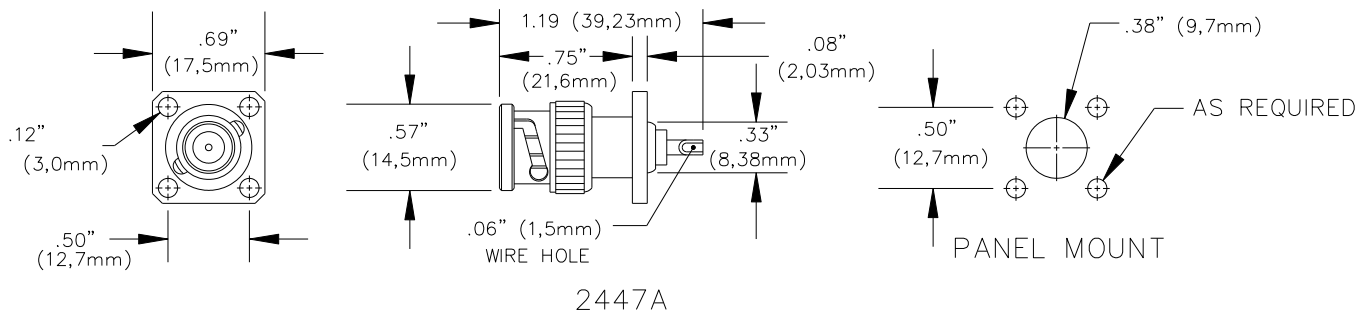


2447



2447A

FEATURES:

- ✓ Model 2447 features .531 (13,5mm) Hole Spacing
- ✓ Model 2447A features .500 (12,7mm) Hole Spacing

MATERIALS:

- BNC Body: Nickel Tarnish Resistant Plated Brass
- Center Contact: Gold Plated Brass
- Center Contact – Gold over Nickel.
- Dielectric: PTFE
- Gasket: Silicone Rubber

RATINGS:

- Operating Voltage: Hands free usage in controlled voltage environments: 500 Vrms maximum. *For CE compliance: not intended for hand-held use at voltages above 33 Vrms/70 Vdc.*
- Operating Temperature: -85°F to 329°F (-65°C to +165°C)
- Nominal Impedance: 50 Ohms

ORDERING INFORMATION:

- Model: 2447 (.531" Mounting Hole Spacing)
- Model: 2447A (.500" Mounting Hole Spacing)

All dimensions are in inches. Tolerances (except noted): .xx = ±.02" (.51 mm), .xxx = ±.005" (.127 mm).
 All specifications are to the latest revisions. Specifications are subject to change without notice.
 Registered trademarks are the property of their respective companies.



Mouser Electronics

Authorized Distributor

Click to View Pricing, Inventory, Delivery & Lifecycle Information:

[Pomona:](#)

[2447A](#) [2447](#)