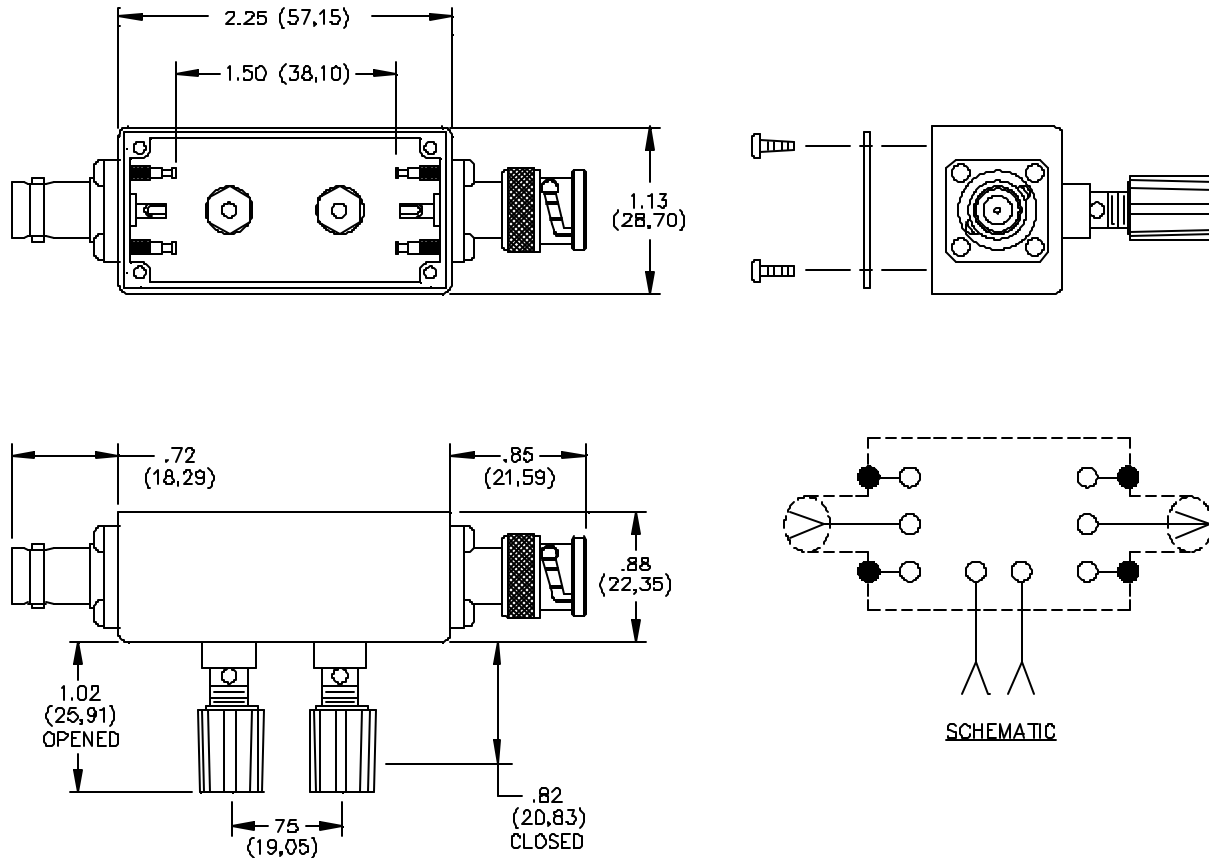


Pomona[®]

Model 2393 Size A Aluminum Box With Cover BNC Female/BNC Male W/Binding Post



MATERIALS:

Connector: BNC (F)

Body: Tarnish Resistant Plating, Center Contact: Gold Plated Beryllium Copper

Screws: Steel, 4 ea. #4-40 x (3/16")

Shielded Housing: Die cast aluminum alloy A380 or A384

Finish: Blue paint per Federal Standard 595 #25109 over Phosphoric Etch

Binding Posts: Insulated. Binding Post Body, brass.

Insulation: Polycarbonate. Color: One Red and one Black

Insulating Washer: Nylon

Cover: .040 Thick aluminum #1100-H14

Screws: Steel 4 ea. #2-32 x 1/4" Pan Head, self-tapping.

RATINGS:

Voltage: Inner conductor/Shield: 500 VRMS Max.

Nominal Impedance: 50 Ohms

ORDERING INFORMATION: Model 2393

All dimensions are in inches. Tolerances (except noted): .xx = ±.02" (.51 mm), .xxx = ±.005" (.127 mm).

All specifications are to the latest revisions. Specifications are subject to change without notice.

Registered trademarks are the property of their respective companies. Made in USA

6/9/99

SY/EH/LS

S:\Engineering\Release\DataSheets\FI\IkeDataSheet\2393_1_01.doc

Sales: 800-490-2361 Fax: 888-403-3360

Technical Assistance: 800-241-2060

PomonaACCESS 90144 (800) 444-6785 or (425) 446-6010

More drawings available at www.pomonaelectronics.com

Page 1 of 1

Mouser Electronics

Authorized Distributor

Click to View Pricing, Inventory, Delivery & Lifecycle Information:

[Pomona:](#)

[2393](#)