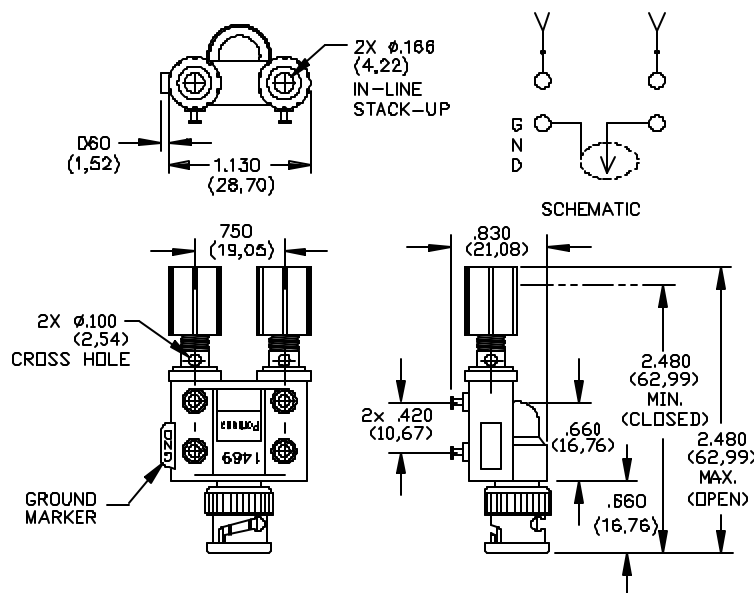


Model 1469 Adapter – Binding Post To BNC Male, Four Terminal Isolation



FEATURES:

- Permits single or double banana plugs to be used with equipment having BNC female
- Provides isolation for a four terminal network
- Binding posts facilitate connections of test leads or additional components
- Bright tin plated solder turret terminals provide permanent noise-free connections

MATERIALS:

Upper Conn: Binding Posts, Insulated

Material: Binding Post Body – Brass per QQ-B-626, Alloy 360, ½ Hard

Finish: Nickel plated per QQ-N-290, Class 2, 200/300 microinches

Insulation: Polycarbonate

Color: One red, one black

Insulation: Polypropylene molded to binding posts and BNC Male, Color: Black

Marking: “1469 POMONA”

Lower Conn: BNC Male

Finish: Body and Fittings – Tarnish resistant

Nominal Impedance: 50 Ohms

Center Contact – Gold plated per requirements of MIL-C-39012

Terminals:

Material: Brass per QQ-B-626, Alloy 360, ½ Hard

Finish: Bright tin plated per MIL-T-10727 Type I, 100/250 microinches

RATINGS:

Operating Temperature: +55° C. (+131° F.) Max.

Operating Voltage: Hand-held Testing:

30VAC/60VDC Max. Hands Free Testing in

Controlled Voltage Environments: 500 VRMS Max.

ORDERING INFORMATION: Model 1469

All dimensions are in inches and metric. All specifications are to the latest revisions. Specifications are subject to change without notice. Registered trademarks are the property of their respective companies. Made in USA

Sales: 909-469-2900 Fax: 909-629-3317
Technical Assistance: 800-241-2060

PomonaACCESS 90547 (800) 444-6785 or (909) 469-2991
More drawings available at www.pomonaelectronics.com

Mouser Electronics

Authorized Distributor

Click to View Pricing, Inventory, Delivery & Lifecycle Information:

[Pomona:](#)

[1469](#)