

**Model 72962
SMA JACK PANEL RECEPTACLE (4 HOLE)**



Model 72962 SMA JACK PANEL RECEPTACLE (4 HOLE)

High bandwidth, small size, and durability for confident connections

Features

- DC – 6 GHz
- Meets MIL-C-39012, IEC 169-15, CECC 22110.
- Small size and durability for mobile communications.
- Precision machined and gold-plated for low loss.

Materials

- Body is machined brass with gold plating.
- Center Contacts - Plug is gold plated brass and Jack is gold plated Beryllium copper.
- Insulators are high quality PTFE.
- Crimp Ferrules are copper with gold or nickel plating.
- Gaskets are silicone rubber.

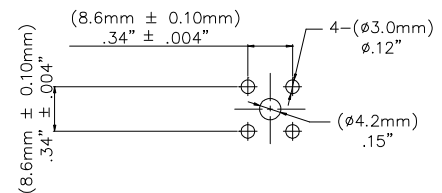
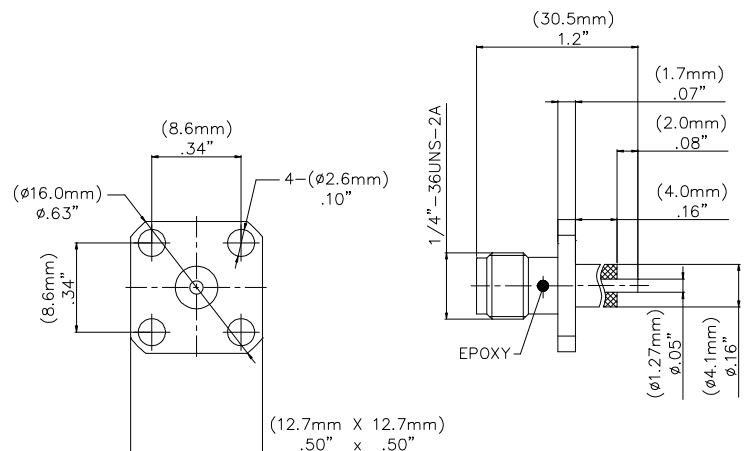
Ordering Information

Model: 72962
Description: SMA JACK PANEL RECEPTACLE (4 HOLE)

USA: Sales: 800-490-2361
Technical Support: technicalsupport@pomonaest.com
Fax: 425-446-5844

Europe: 31-(0) 40 2675 150 International: 425-446-5500

Where to Buy: www.pomonaelectronics.com



Specifications

| | |
|---------------------------------|------------------------------------|
| Impedance | 50 Ω |
| Frequency Range | DC – 6 GHz max. |
| Working Voltage | < 500 V _{peak} |
| Dielectric Withstanding Voltage | 1,000 V _{rms} |
| VSWR | 1.2 max. |
| Center/Outer Contact Resistance | 0.003/0.002 Ω max |
| Insulation resistance | > 5000 MΩ |
| Number of Insertions | 500 cycles minimum |
| Temperature Range | -65° C to 165° C, -85° F to 329° F |

All dimensions are in inches. Tolerances (except noted): .xx = ±.02" (.51 mm), .xxx = ± .005" (.127 mm). All specifications are to the latest revisions. Specifications are subject to change without notice. Registered trademarks are the property of their respective companies.
D2003397 REV 001

Mouser Electronics

Authorized Distributor

Click to View Pricing, Inventory, Delivery & Lifecycle Information:

[Pomona:](#)

[72962](#)