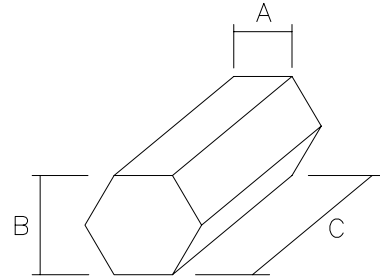
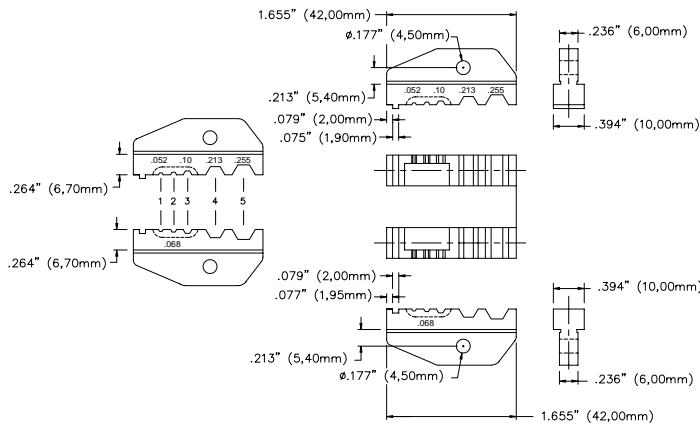


Models 7281
Crimp Die Set For Sizes .255/.213/.100/.068/.052



	A	B	C
1	.75 [.030]	1.30 [051]	2.70 [.106]
2	.98 [.039]	1.70 [0.67]	2.70 [.106]
3	1.44 [0.39]	2.50 [.098]	2.70 [.106]
4	3.12 [.123]	5.40 [.213]	10.0 [.394]
5	3.75 [.148]	6.50 [.256]	10.0 [.394]

Model 7281 Crimp Die Set For Sizes .255/.213/.100/.068/.052

Features

- Professional grade precision die set
- Cavity dimensions are .255, .213, .100, .068, and .052
- Easily changeable
- Use with Pomona Crimp Tool 7277

Ordering Information

Model: 7281

USA: Sales: 800-490-2361 Technical Support: 800-241-2060 Fax: 888-403-3360

Europe: 31-(0) 40 2675 150 **International:** 425-446-5500

e-mail: technicalsupport@pomonatest.com

Where to Buy: www.pomonaelectronics.com

All dimensions are in inches. Tolerances (except noted): .xx = ±.02" (.51 mm), .xxx = ±.005" (.127 mm). All specifications are to the latest revisions. Specifications are subject to change without notice. Registered trademarks are the property of their respective companies.

Mouser Electronics

Authorized Distributor

Click to View Pricing, Inventory, Delivery & Lifecycle Information:

[Pomona:](#)

[7281](#)