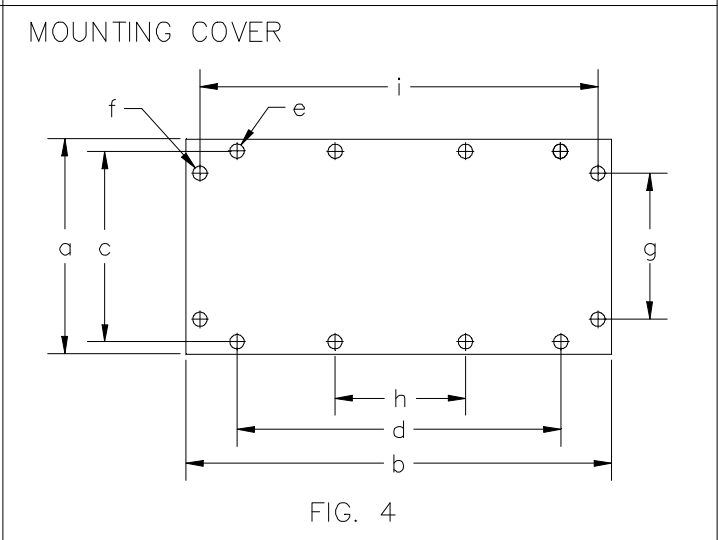
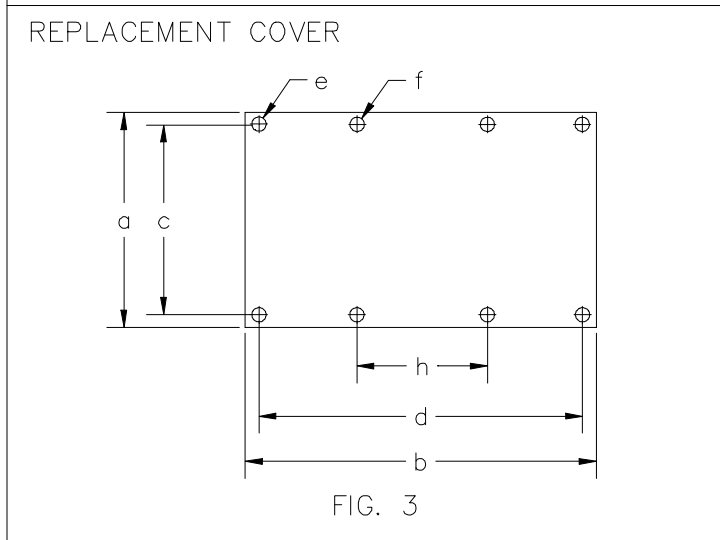
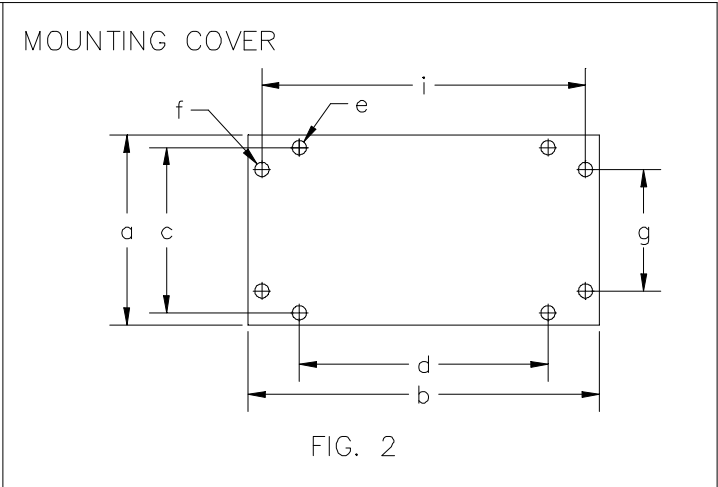
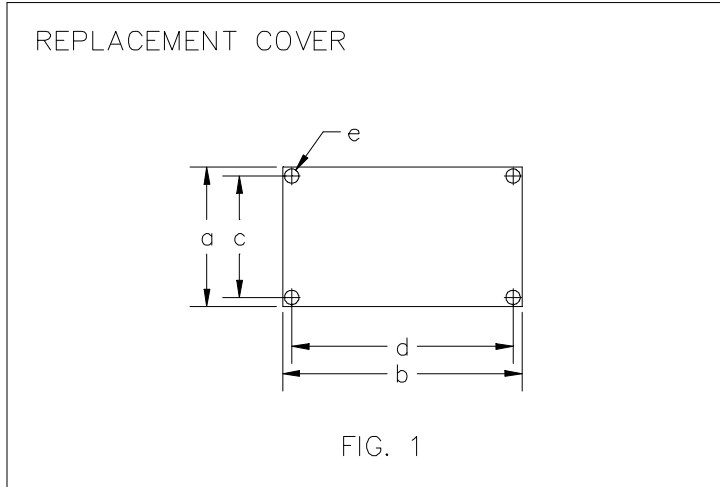


Replacement and Flange Mounting Covers



Model	Fits Box Size	Fig.	Material	Material Thickness	a	b	c	d	e	f	g	h	i
4742	Miniature	1	1100-H14	.040	1.04	1.41	.843	1.22	.096				
3729	Miniature	3	6061-T6	.080	1.15	2.50	.843	2.19	.150	.100		1.22	
4245	A	1	1100-H14	.040	1.03	2.16	.843	1.97	.096				
3728	A	3	6061-T6	.080	1.15	3.25	.843	2.94	.150	.100		1.96	
4246	B	1	1100-H14	.040	1.28	2.16	1.09	1.97					
3719	B	3	6061-T6	.090	1.40	3.25	1.09	2.94	.150	.100		1.96	

All dimensions are in inches. Tolerances (except noted): .xx = ±.02" (.51 mm), .xxx = ±.005" (.127 mm).
 All specifications are to the latest revisions. Specifications are subject to change without notice.
 Registered trademarks are the property of their respective companies. Made in USA

Sales: 909-469-2900 Fax: 909-629-3317
Technical Assistance: 800-241-2060

4248	C	3	1100-H14	.080	2.50	4.12	2.25	3.87	.140			1.29	
4726	D	1	1100-H14	.063	2.48	2.99	2.25	2.63					
3958	D	2	1100-H14	.080	2.50	4.12	2.25	2.63	.125	.201	1.75		3.618
4416	E	3	1100-H14	.080	4.02	8.12	3.80	7.90	.140			2.63	
4247	F,G,H & K	3	1100-H14	.080	2.50	4.12	2.25	3.87					
3328	F,G,H & K	4	6061-T6	.080	2.50	5.25	2.25	3.87	.140	.201	1.75	1.29	3.87
4631	I	1	1100-H14	.080	4.00	4.00	3.60	3.60					
4642	I	2	1100-H14	.080	4.00	5.00	3.60	3.60	.140	.201	2.63		4.50
4658	J	1	1100-H14	.063	1.37	4.12	1.20	3.95	.096				
5198	L	1	1100-H14	.063	2.87	5.87	2.70	5.70	.096				
Model	Fits Box Size	Fig.	Material	Material Thickness	a	b	c	d	e	f	g	h	i

All dimensions are in inches. To convert to metric multiply inches by 25.4.

All dimensions are in inches. Tolerances (except noted): .xx = ±.02" (.51 mm), .xxx = ±.005" (.127 mm).

All specifications are to the latest revisions. Specifications are subject to change without notice.

Registered trademarks are the property of their respective companies. Made in USA

Mouser Electronics

Authorized Distributor

Click to View Pricing, Inventory, Delivery & Lifecycle Information:

Pomona:

[3958](#) [3328](#) [3729](#)