

4

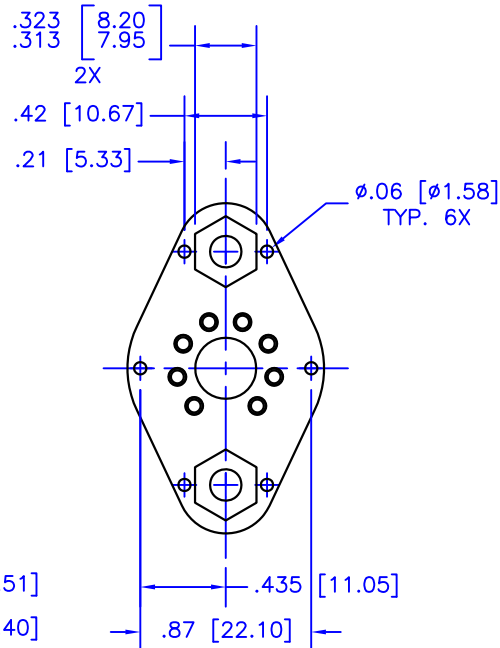
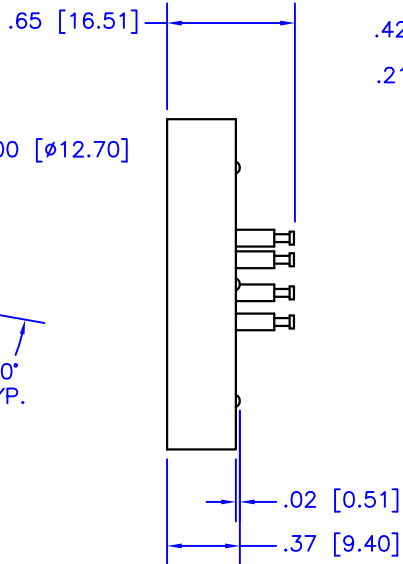
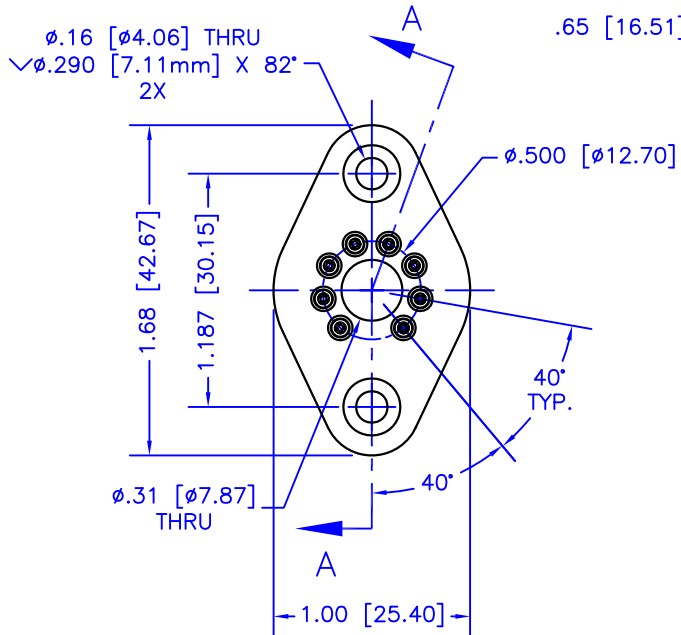
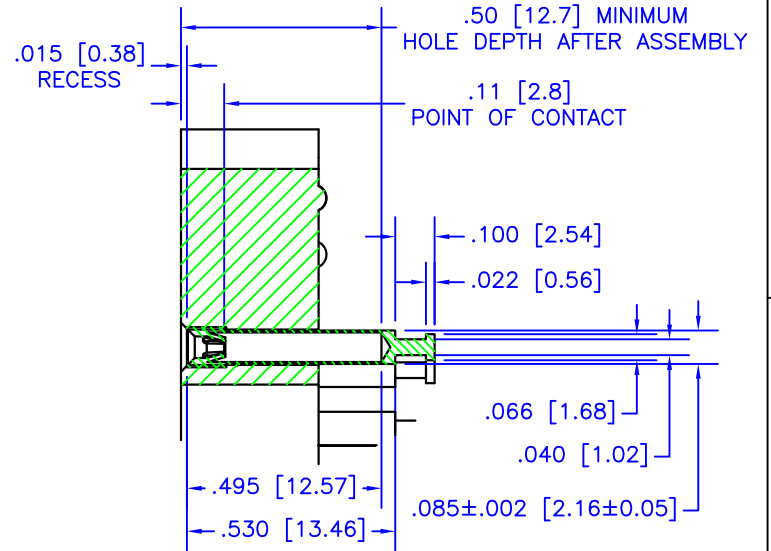
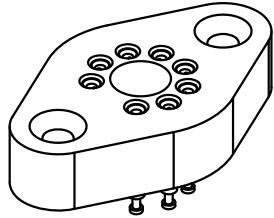
3

2

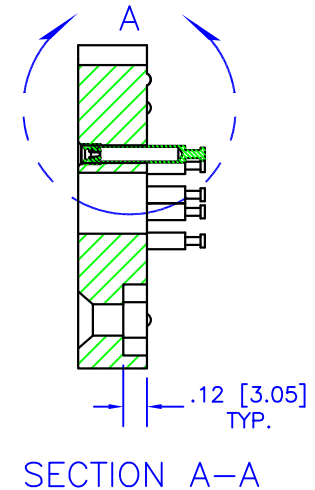
1

**NOTES:**

1. Dimensions are in inches & [mm].
2. Socket body: Glass-filled polyester, 94 VO rating, green in color
3. Receptacle shell: 360 brass, with 200 μin tin over 100 μin nickel
4. Receptacle contacts: Beryllium copper with 30 μin gold over 50 μin nickel
5. The continuous temperature rating of the socket shall be 150° C.
6. Contact resistance: 20 milliohms or less.



DETAIL A  
SCALE 2:1



TOLERANCES - UNLESS OTHERWISE SPECIFIED

.XX = ±.01 [.254]  
 .XXX = ±.005 [.127]  
 ANG. = ±5°



TITLE: TO-3 SOCKET

SUBJECT: MECHANICAL DRAWING

ENGINEER: D-M DRAWN BY: R.MOR DCA: 13241 SHL 1 OF 1

MODEL: MS03

**MS03**

REV: G DATE: 03JUN13

4

3

2

1

# Mouser Electronics

Authorized Distributor

Click to View Pricing, Inventory, Delivery & Lifecycle Information:

[Apex Microtechnology:](#)

[MS03](#)