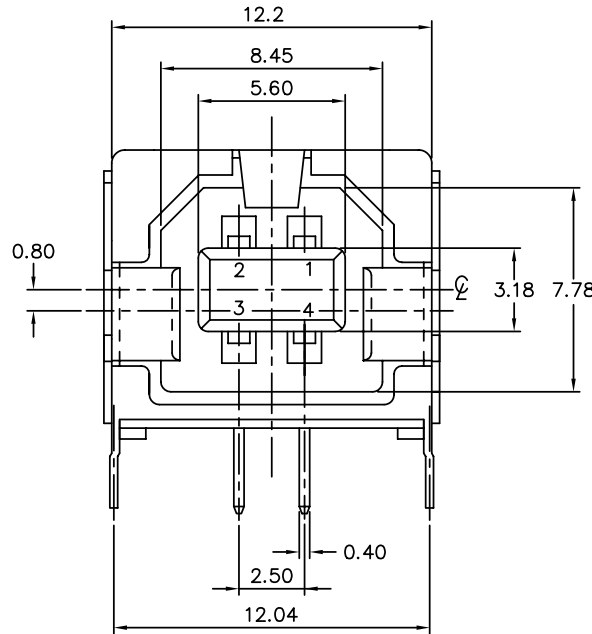
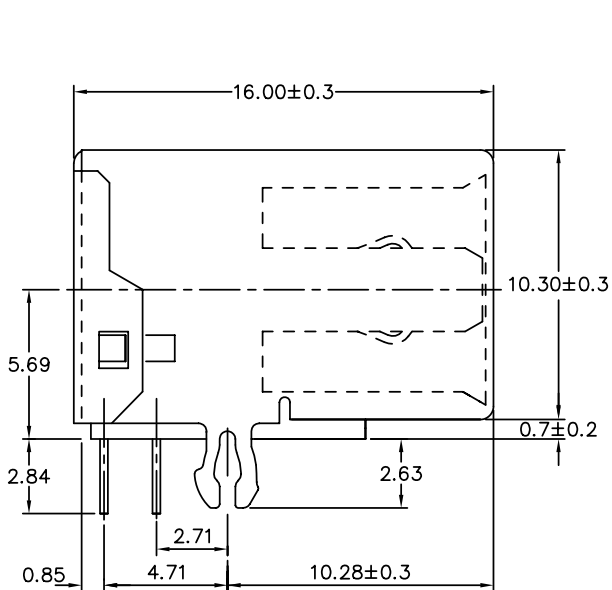


PRODUCT NO.
61729-*



PRODUCT NUMBER CODE:

61729 - X X X X X P S LF

BASE PRODUCT NUMBER

HOUSING COLOR OPTION

- 0 - WHITE
- 1 - BLACK

HALOGEN OPTION

- 0 - WITH HALOGEN
- 1 - HF (HALOGEN FREE)

SHIELD OPTION

- 1 - FULL BACK
- 2 - PARTIAL BACK
- S- FULL BACK (SPECIAL MATERIAL FOR 12,000 DURABILITY CYCLES)
- P- PARTIAL BACK (SPECIAL MATERIAL FOR 12,000 DURABILITY CYCLES)

TERMINAL PLATING OPTION

- 0 - 50µ' NI UNDERPLATED
30µ' GXT CONTACT AREA
100µ' PURE TIN TAIL AREA
- 1 - 50µ' NI UNDERPLATED
30µ' GOLD CONTACT AREA
100µ' PURE TIN TAIL AREA

PACKAGING OPTION

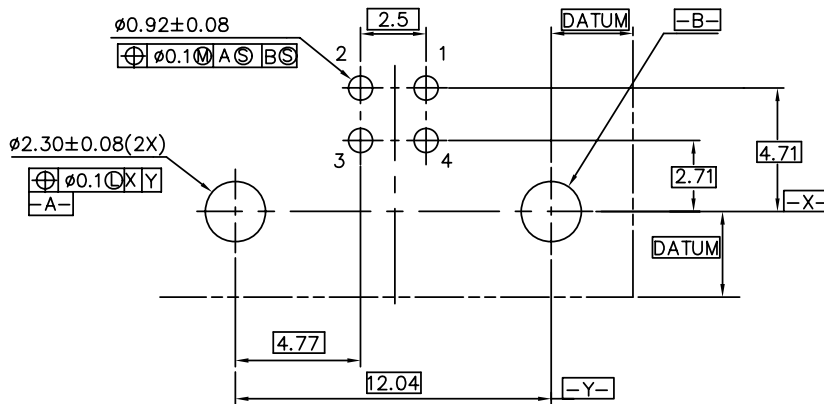
- B - TUBES
- R - TAPE & REEL

DATE CODE OPTION

- P - WITH DATE CODE
- DEFAULT: WITHOUT DATE CODE

ONLY FOR PANSONIC

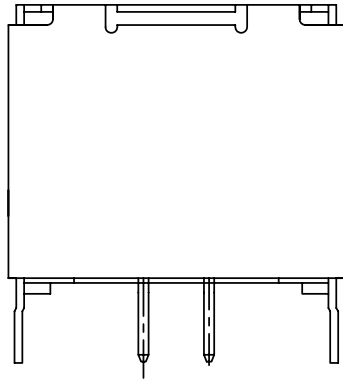
LEAD FREE OPTION



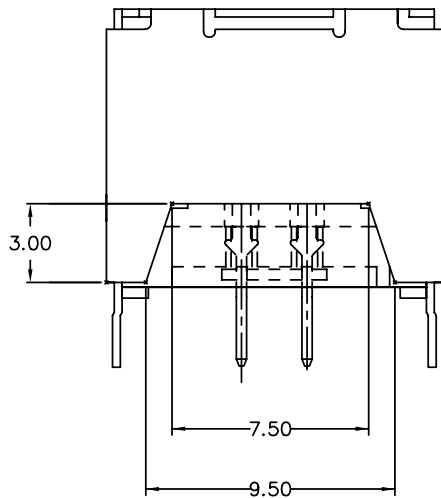
P.C. BOARD LAYOUT

mat'l. code		surface ISD 1301 ✓	tolerance ISD 406 ISD 1101	projection mm	product family USB2.0
ltr	ecn	nodr	date	tolerances unless otherwise specified	title
S	N05-0242	PH	08/22/05	0.0±0.3	USB RECEPTACLE B TYPE
T	N06-0103	HB	04/15/06	0.00±0.20	
U	N08-0238	R,B	11/3/08	0°±2'	scale 4:1
V	N08-0264	R,B	12/08/08	LQ,LEI	2013-12-17
W	EN-BX-4-1633	LQ	12/17/13	engr LQ,LEI	2013-12-17
				chr RICK BIAN	2013-12-17
				appd RICK BIAN	2013-12-17
sheet	revision	type Product Customer Drawing			
index	sheet	1-2			





TYPE "1" FULL BACK



TYPE "2" PARTIAL BACK

NOTES:

1. MATERIAL:
SHIELD & CONTACTS: COPPER ALLOY
HOUSING: UL 94V-0 ,HIGH TEMPERATURE THERMOPLASTIC.
COLOR: SEE PRODUCT NUMBER CODE.
2. PLATING: SEE PRODUCT NUMBER CODE.
SHIELD: BRIGHT TIN
NICKEL UNDERPLATE.
3. DATUMS & BASIC DIMENSIONS TO BE DETERMINED BY CUSTOMER
4. RECOMMENDED BOARD THICKNESS IS 1.57 mm (.062)
5. PACKING STANDARD GS-14-920 WILL BE APPLIED FOR LEAD FREE P/N'S
6. FOR LEAD FREE P/N, THE PRODUCT MEET EUROPEAN UNION DIRECTIVES AND OTHER COUNTRY REGULATION AS DESCRIBED IN GS-22-008
7. FOR LEAD FREE P/N'S, THE HOUSING WILL WITHSTAND EXPOSURE TO 260°C PEAK TEMPERATURE FOR 10 SECONDS IN A CONVECTION, INFRO-RED OR VAPOR PHASE REFLOW OVEN.
8. THE PART CAN BE USED FOR PIP PROCESS.

mat'l. code		surface ISD 1301 ✓	tolerance ISD 406 ISD 1101	projection 	product family USB2.0
ltr	ecr	nodr	date	tolerances unless otherwise specified	title
-	-	-	-	0.0±0.3	USB RECEPTACLE B TYPE
				0.00±0.20	
				0°±2'	scale 4:1
				dr LQ.LEI 2013-12-10	dwg no
				enr LQ.LEI 2013-12-10	sheet 2 of 2
				chr RICK BIAN 2013-12-10	61729
				appd RICK BIAN 2013-12-17	A4
sheet	revision-				type Product Customer Drawing
index	sheet -				

Mouser Electronics

Authorized Distributor

Click to View Pricing, Inventory, Delivery & Lifecycle Information:

FCI:

[61729-0010BLF](#)