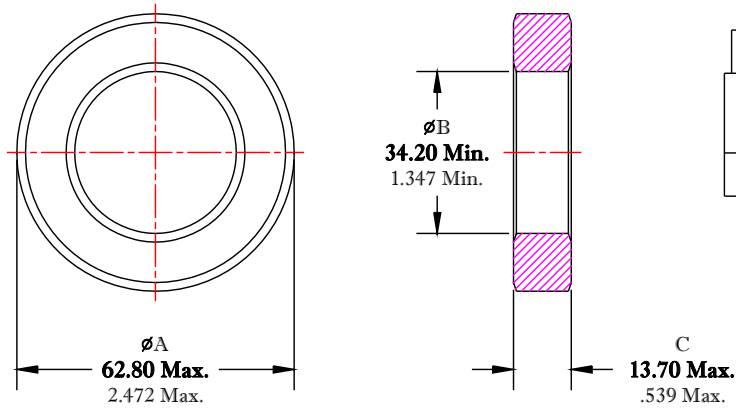


\*\* Not all features are shown in this drawing. For more detailed information, please contact your Fair-Rite representative.

UNCONTROLLED ~CATALOG~ DRAWING

SIZE	PART NO.	REV.
B	5975003821	~



AFTER COATING

DIMENSIONS  
**BOLD NUMBERS ARE IN MILLIMETERS**  
 LIGHT NUMBERS ARE IN INCHES

ELECTRICAL SPECIFICATIONS						
$\Sigma l/A(\text{mm}^{-1})$	$l_e$ (mm)	$A_e$ (mm <sup>2</sup> )	$V_e$ (mm <sup>2</sup> )	$L_o$ (nH)	$A_L$ (nH) @10kHz <10gauss	$\tan \delta/\mu$ @100kHz <1gauss
.91627	145	158	22800	1.371	6850 <sup>+25%</sup> / <sub>-30%</sub>	$\leq 50 \times 10^{-6}$

NOTES:

- 1 - THIS PART TO BE THERMOSET PLASTIC COATED, USE APPROVED FR# 5975003801.
- 2 - COATING TO WITHSTAND A MINIMUM BREAKDOWN VOLTAGE OF 1000 Vrms, WHEN UNIFORMLY APPLIED ACROSS THE "C" DIMENSION.
- 3 - COATING THICKNESS = 0.25mm (.010") Max.

FR# 75

<b>FAIR-RITE PRODUCTS CORP.</b>						
TITLE COATED TOROID						
DRAWN BY J.SERENCISCS	DATE 07-17-2018	SIZE	PART NO.	REV.		
CHKD BY		B	5975003821	~		
APPRVD BY		SCALE	NONE	SHEET	1	of 1

# Mouser Electronics

Authorized Distributor

Click to View Pricing, Inventory, Delivery & Lifecycle Information:

[Fair-Rite:](#)

[5975003821](#)