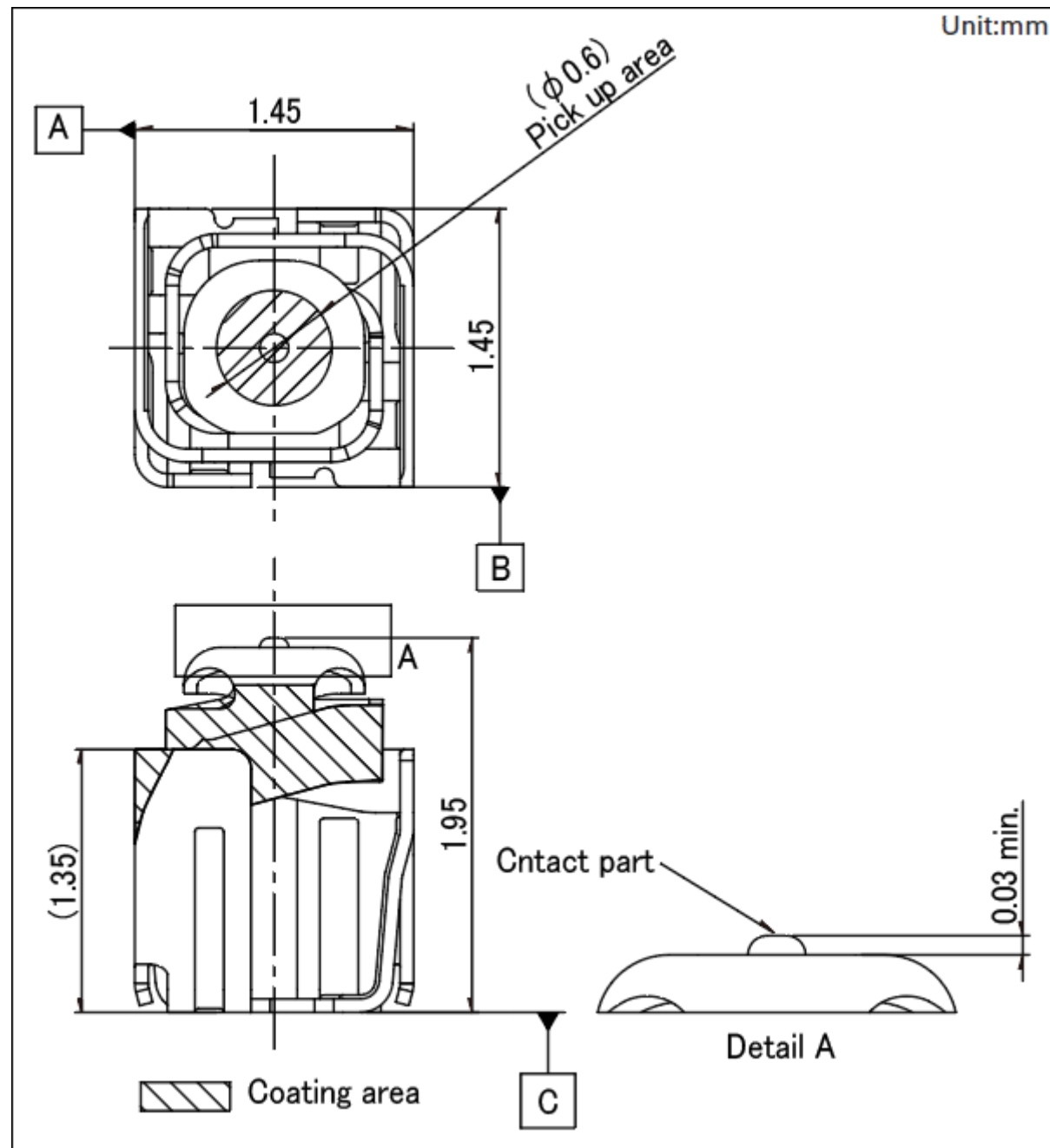


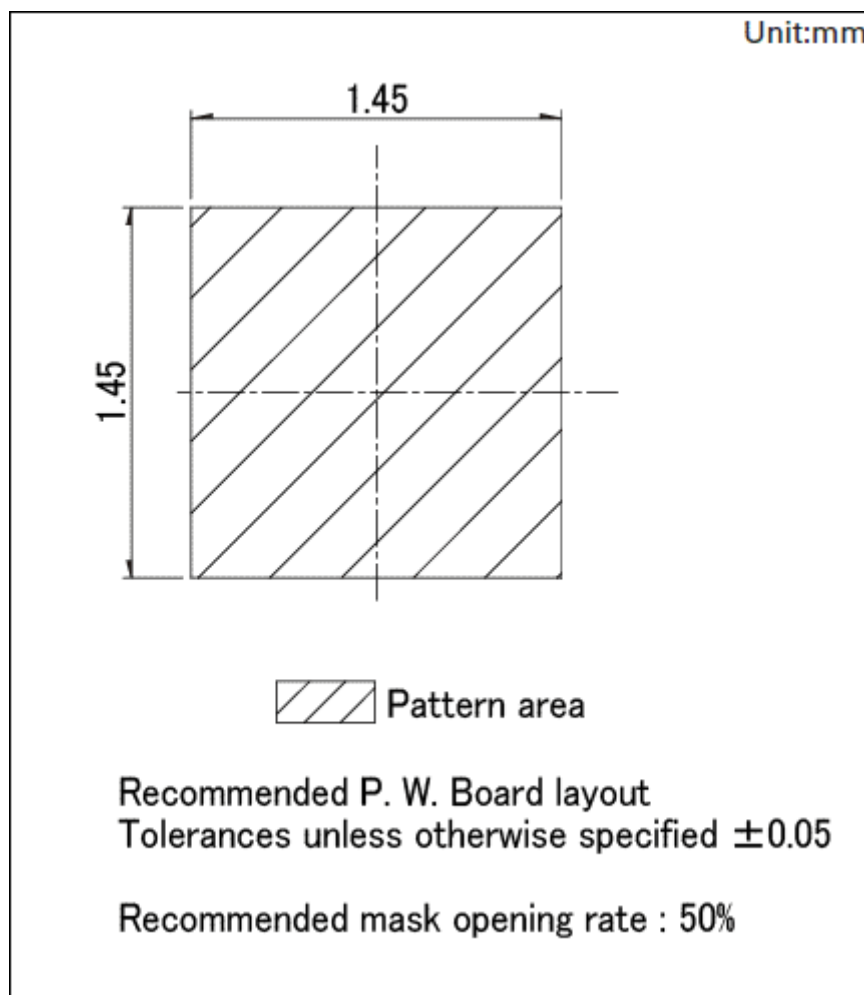
## Spring Contact SCTA\_D Series (With Insulation Coating)

Dimensions (W × D)	1.45 × 1.45mm
Height in use	1.45 to 1.75mm
Travel	0.5mm
Mounting type	Surface mounting type
Mounting style	Standard mount
Packing system	Taping
Minimum order unit (pcs.)	10,000
Operating temperature range	-30°C to +85°C
Rated current	3A
Contact resistance (Initial)	Connector contacts 40mΩ max.
Stroke Frequency	500 times

### Dimensions

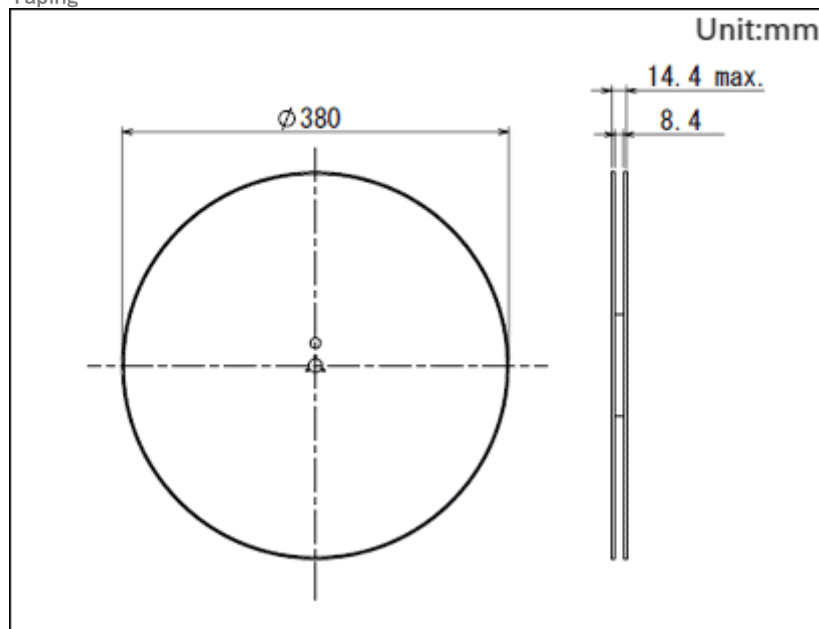


### Land Dimensions



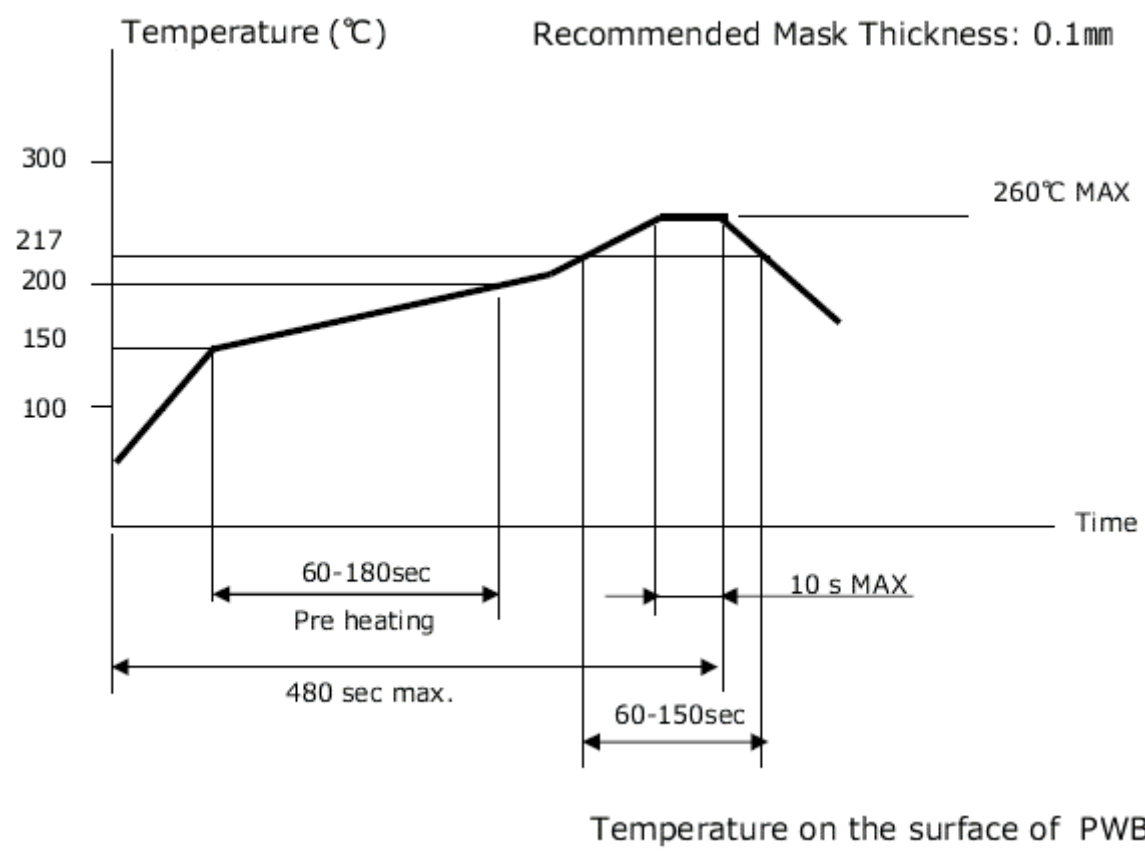
**Packing Specifications**

Taping



Number of packages (pcs.)	1 reel	10,000
	1 case / Japan	30,000
	1 case / export packing	60,000
Tape width (mm)	8	
Export package measurements (mm)	403 × 403 × 167	

**Soldering Conditions**



Notes are common to this series/models.

1. This site catalog shows only outline specifications. When using the products, please obtain formal specifications for supply.
2. Please place purchase orders per minimum order unit (integer).

# Mouser Electronics

Authorized Distributor

Click to View Pricing, Inventory, Delivery & Lifecycle Information:

[Alps Alpine:](#)

[SCTA5D0100](#)