

# Water-proof Type SPVQ3 Series

| Photo | Dimensions | Circuit Diagram | Packing Specifications |

PRINT

Long life type: 1,200,000 cycles

Part number		<b>SPVQ310700</b>
Poles		1
Positions		1
Changeover timing		Non shorting
Operation part shape		Actuator A
Terminal type		With wire (Right side)
Operating force		3N max.
Main body form		Boss - left side
Operating temperature range		-40°C to +85°C
Rating (max.)/(min.) (Resistive load)		0.3A 16V DC/1mA 5V DC
Electrical performance	Contact resistance (Initial/After operating life)	500mΩ max./1Ω max.
	Insulation resistance	100MΩ min. 500V DC
	Voltage proof	500V AC for 1 minute
Mechanical performance	Wire strength	30N for 1 minute
	Actuator strength	20N
Durability	Operating life without load	1,200,000 cycles 1Ω max.
	Operating life with load Rating (max.) (Resistive load)	1,200,000 cycles (0.1A 16V DC)/ 300,000 cycles (0.3A 16V DC)
Environmental performance	Cold	-40°C 500h
	Dry heat	85°C 500h
	Damp heat	60°C, 90 to 95%RH 500h

Minimum order unit Japan 168  
(pcs.)

Export 672

3D CAD (STEP)



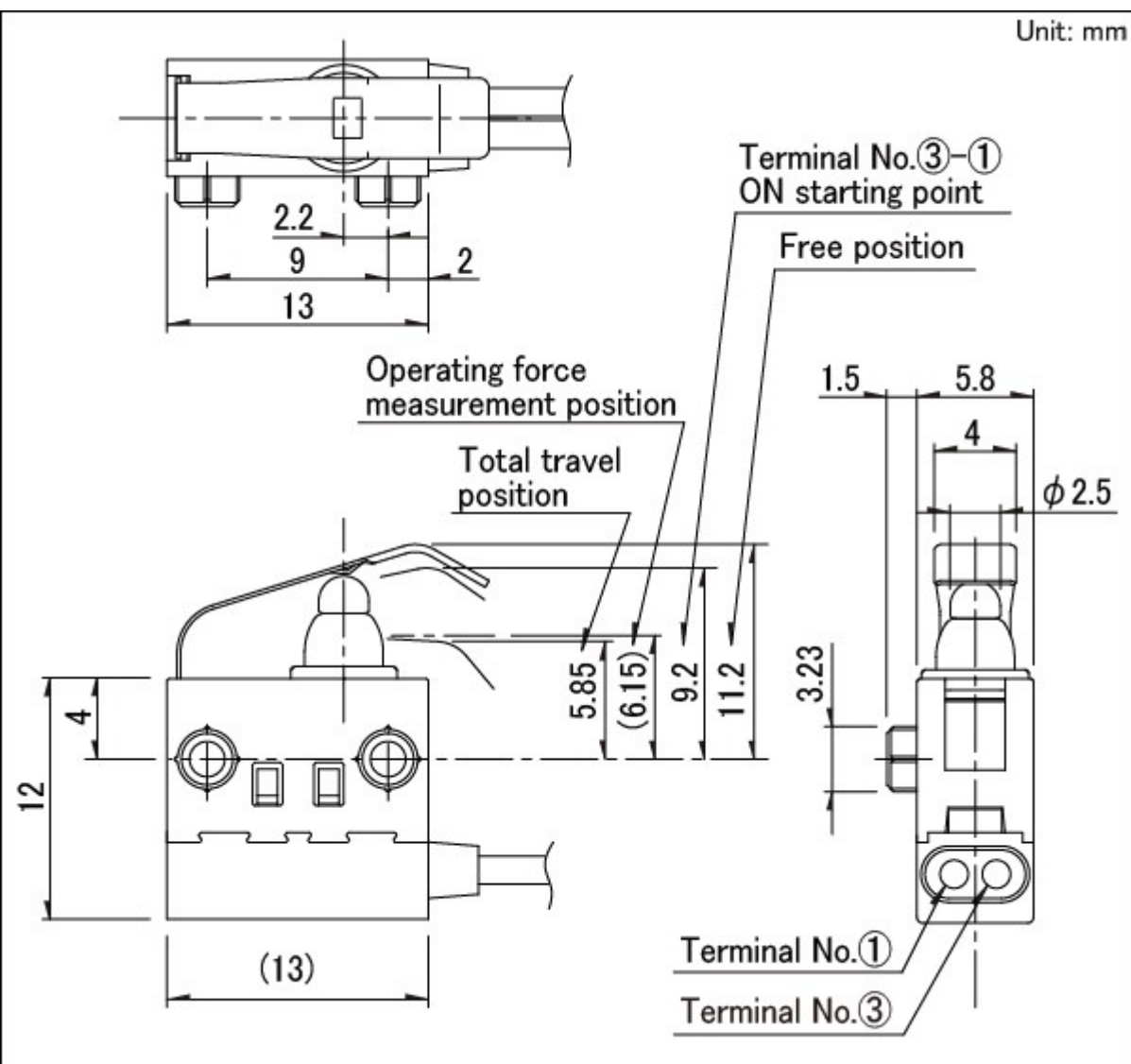
Certificate of Compliance to RoHS regulations



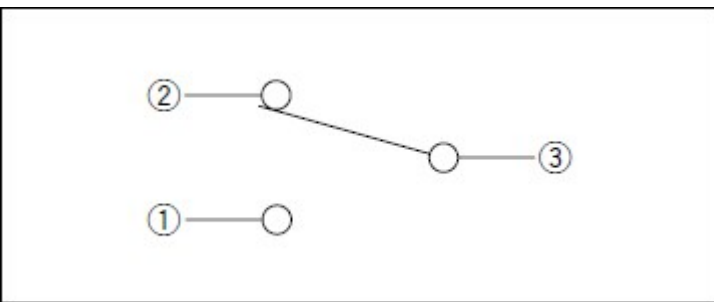
## Photo



## Dimensions



## Circuit Diagram



## Packing Specifications

### Bulk

Number of packages (pcs.)	1 case / Japan	168
---------------------------	----------------	-----

	1 case / export packing	672
--	-------------------------	-----

Export package measurements (mm)	555×375×223
----------------------------------	-------------

### Notes are common to this series/models.

1. This site catalog shows only outline specifications. When using the products, please obtain formal specifications for supply.
2. Unless specified, the length of the lead wire is 250mm. Color is either Red, Black or Yellow. For length modification, please contact us.
3. This unit cannot be used in water (IP67 rating, except for terminal).
4. Unless circuit is specified, wired (downward) types will apply three wires.
5. Please specify circuit (N. O. or N. C.) for wired (side) types. Unless specified, the circuit will apply N. O.
6. Please place purchase orders per minimum order unit (integer).
7. This products can be used in vehicles.  
Although these products are designed to perform over a wide operating temperature range, please ensure that you receive and read the formal delivery specifications before use.

## Inquiries about Products

[Inquiry](#)

# Mouser Electronics

Authorized Distributor

Click to View Pricing, Inventory, Delivery & Lifecycle Information:

[Alps Alpine:](#)

[SPVQ310700](#)