

## Rotary Type (360° Rotation) RDC80 Series

### Detail

Part number	RDC803001A
Mounting method	Reflow type
Total resistance	10k $\Omega$
Effective electrical angle	340° (1-phase) 360° (2-phase)
Linearity guarantee range	330° (1-phase) 360° (2-phase)
Linearity	$\pm 3\%$
Hollow shaft variation	$\pm 4.05$
Operating life	100,000 cycles

Operating temperature range	-40°C to +120°C	
Mechanical performance	Rotational torque	10mN·m max.
Electrical performance	Total resistance tolerance	$\pm 30\%$
	Rated voltage	5VDC
Environmental test	Cold	-40°C $\pm 3^\circ\text{C}$ for 168h
	Dry heat	120°C $\pm 3^\circ\text{C}$ for 168h
	Damp heat	60°C $\pm 2^\circ\text{C}$ , 90 to 95%RH for 96h

Minimum order unit (pcs.)	Japan	1,600
	Export	1,600

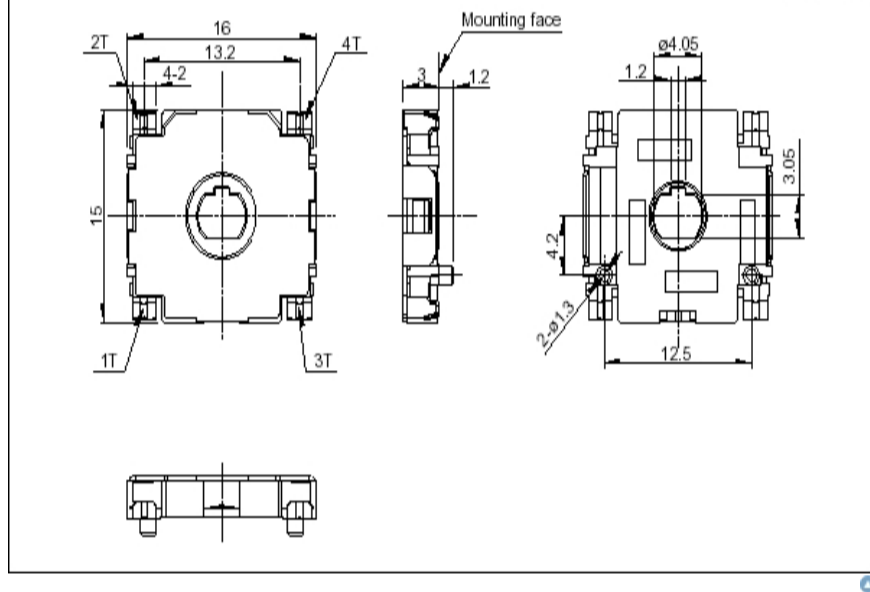
3D CAD (STEP)	<a href="#">Download</a>
Certificate of Compliance to RoHS regulations	<a href="#">PDF</a>

[TOP](#)

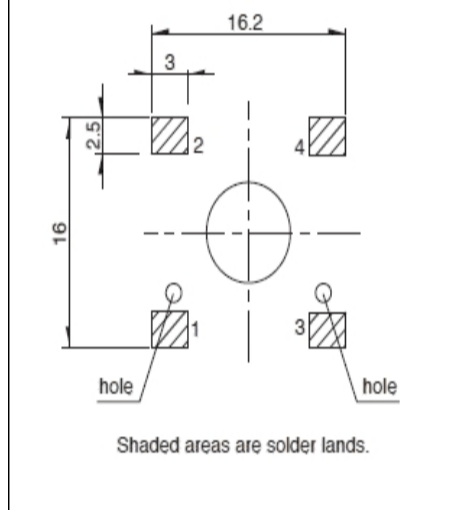
### Photo


[TOP](#)

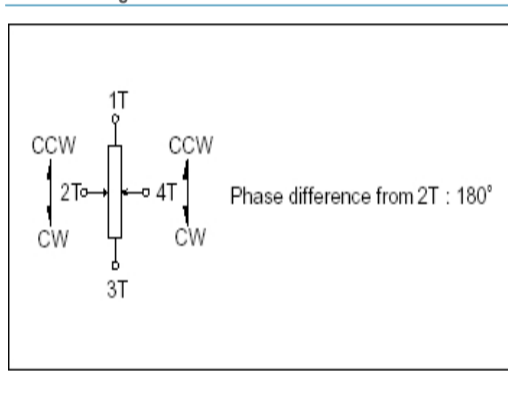
### Dimensions


[TOP](#)

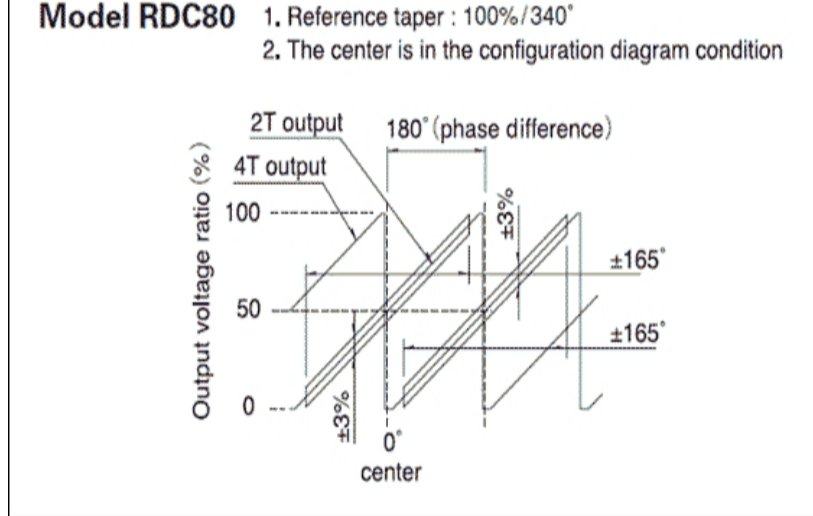
### Mounting Hole Dimensions


[TOP](#)

### Circuit Diagram

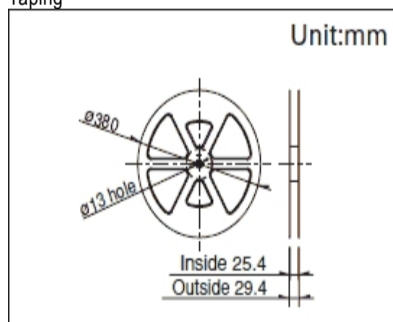

[TOP](#)

### Linearity


[TOP](#)

### Packing Specifications

#### Taping

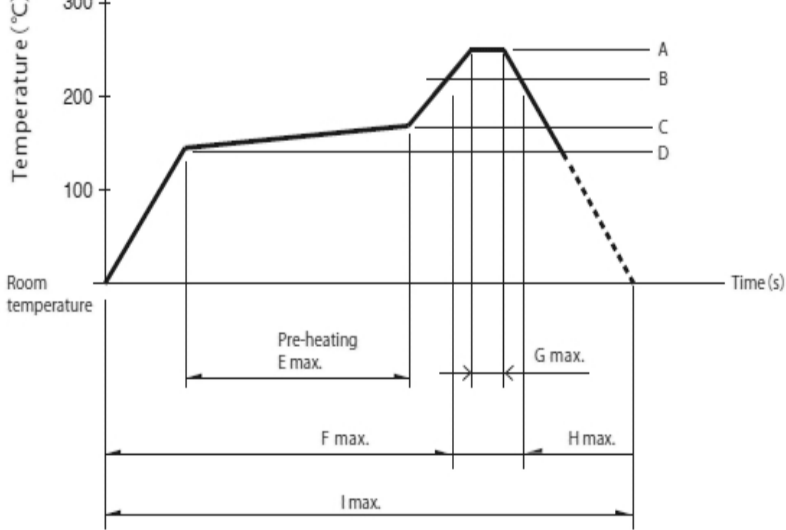


Number of packages (pcs.)	1 reel	800
	1 case / Japan	1,600
	1 case / export packing	1,600
Tape width (mm)		24
Export package measurements (mm)		401×401×110

[TOP](#)

### Soldering Conditions

#### Example of Reflow Soldering Condition



A	B	C	D	E	F	G	H	I	No. of reflows
250°C	-	180°C	150°C	90 $\pm$ 30s	-	10 $\pm$ 1s	-	-	1 time

#### Reference for Hand Soldering

Tip temperature	350 $\pm$ 5°C
Soldering time	3(+1, 0)s

[TOP](#)

#### NOTE

Notes are common to this series/models.

- This site catalog shows only outline specifications. When using the products, please obtain formal specifications for supply.
- Please place purchase orders for taping products per minimum package units (1 reel or a case). Please see taping specifications.
- Ask us for the export packaging unit.
- This products can be used in vehicles.

Although these products are designed to perform over a wide operating temperature range, please ensure that you receive and read the formal delivery specifications before use.

#### Inquiries about Products

For more information please contact: Products Information Center.

1-7, Yukigaya-otsukamachi, Ota-ku, Tokyo, 145-8501, Japan

Phone: +81 (3) 5499-8154

# Mouser Electronics

Authorized Distributor

Click to View Pricing, Inventory, Delivery & Lifecycle Information:

[Alps Alpine:](#)

[RDC803001A](#)