



Rotary Type (360° Rotation) RDC80 Series

Detail

Part number	RDC803001A	
Mounting method	Reflow type	
Total resistance	10k Ω	
Effective electrical angle	340° (1-phase) 360° (2-phase)	
Linearity guarantee range	330° (1-phase) 360° (2-phase)	
Linearity	$\pm 3\%$	
Hollow shaft variation	± 4.05	
Operating life	100,000 cycles	

Operating temperature range	-40°C to +120°C	
Mechanical performance	Rotational torque	10mN·m max.
Electrical performance	Total resistance tolerance	$\pm 30\%$
	Rated voltage	5VDC
Environmental test	Cold	-40°C $\pm 3^\circ\text{C}$ for 168h
	Dry heat	120°C $\pm 3^\circ\text{C}$ for 168h
	Damp heat	60°C $\pm 2^\circ\text{C}$, 90 to 95%RH for 96h

Minimum order unit (pcs.)	Japan	1,600
	Export	1,600

3D CAD (STEP)	Download
Certificate of Compliance to RoHS regulations	PDF

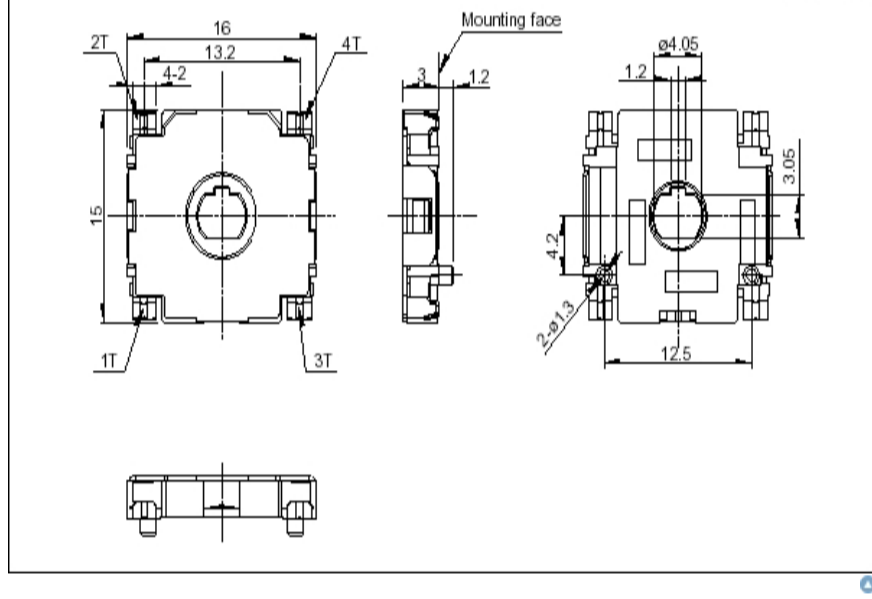
TOP

Photo



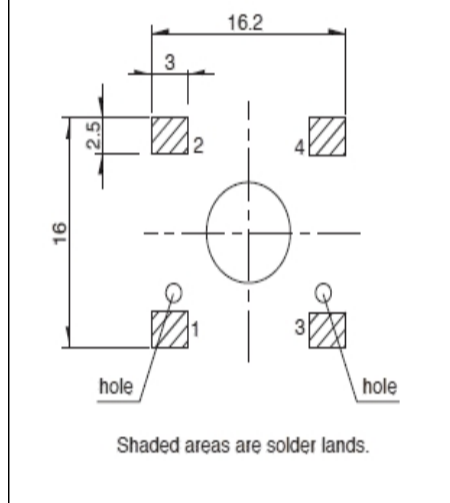
TOP

Dimensions



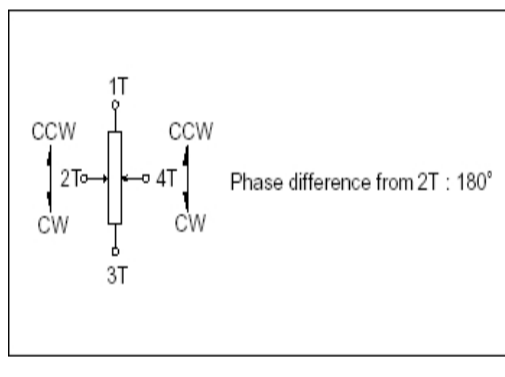
TOP

Mounting Hole Dimensions



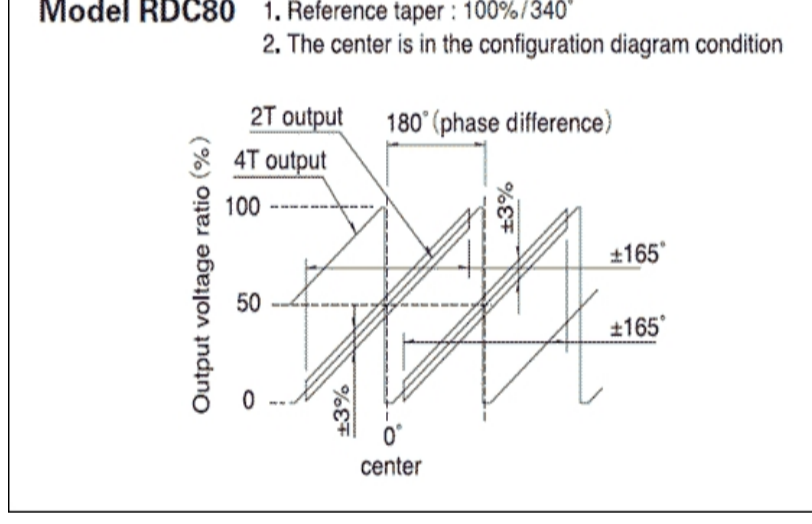
TOP

Circuit Diagram



TOP

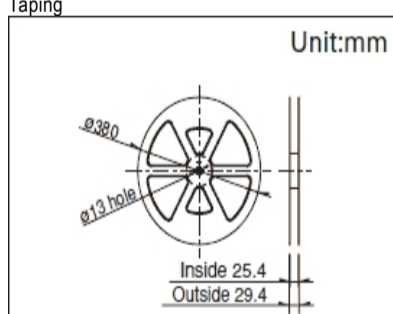
Linearity



TOP

Packing Specifications

Taping

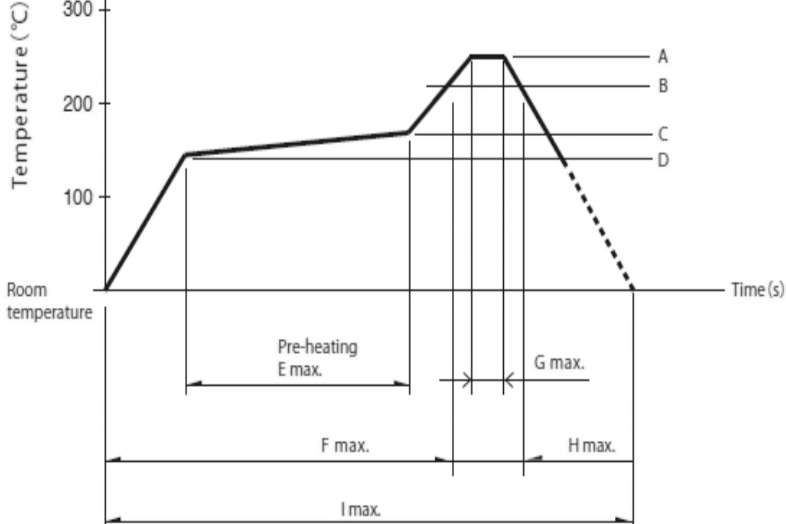


Number of packages (pcs.)	1 reel	800
	1 case / Japan	1,600
	1 case / export packing	1,600
Tape width (mm)		24
Export package measurements (mm)		401×401×110

TOP

Soldering Conditions

Example of Reflow Soldering Condition



A	B	C	D	E	F	G	H	I	No. of reflows
250°C	-	180°C	150°C	90 \pm 30s	-	10 \pm 1s	-	-	1 time

Reference for Hand Soldering

Tip temperature	350 \pm 5°C
Soldering time	3(+1, 0)s

TOP

NOTE

Notes are common to this series/models.

- This site catalog shows only outline specifications. When using the products, please obtain formal specifications for supply.
- Please place purchase orders for taping products per minimum package units (1 reel or a case). Please see taping specifications.
- Ask us for the export packaging unit.
- This products can be used in vehicles.

Although these products are designed to perform over a wide operating temperature range, please ensure that you receive and read the formal delivery specifications before use.

Inquiries about Products

For more information please contact: Products Information Center.
1-7, Yukigaya-otsukamachi, Ota-ku, Tokyo, 145-8501, Japan

Phone: +81 (3) 5499-8154

Mouser Electronics

Authorized Distributor

Click to View Pricing, Inventory, Delivery & Lifecycle Information:

[ALPS:](#)

[RDC803001A](#)