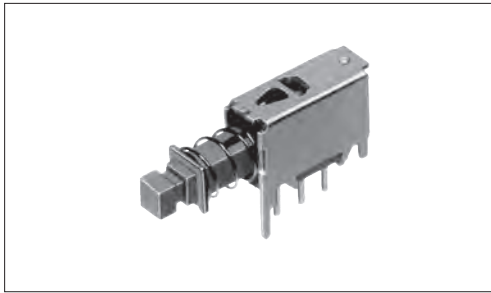


# SPPJ3 2.5mm-travel Compact-sized Horizontal Type

Lever height 4.7mm, small sized horizontal type



## Typical Specifications

Items		Specifications
Rating (max.)/(min.) (Resistive load)		0.2A 30V DC / 50 $\mu$ A 3V DC
Contact resistance (Initial/After operating life)		20m $\Omega$ max. / 40m $\Omega$ max.
Operating force	1-pole	2.3 $\pm$ 1N
	2-pole	3.3 $\pm$ 1N
Operating life	Without load	10,000 cycles
	With load	10,000 cycles (0.2A 30V DC)

## Product Line

Changeover timing	Travel (mm)	Total travel (mm)	Mounting method	Poles	Operation	Terminal type	Minimum order unit (pcs.)		Product No.	Drawing No.
							Japan	Export		
Non shorting	2.5	3.5	PC board	1	Latching	For PC board	900	4,500	SPPJ310500	1
					Momentary				SPPJ311500	
				2	Latching				SPPJ320600	2
					Momentary				SPPJ322300	

## Packing Specifications

Bulk

Number of packages (pcs.)		Export package measurements (mm)
1 case / Japan	1 case / export packing	
900	4,500	400 $\times$ 270 $\times$ 290

## Dimensions

No.	Style	PC board mounting hole dimensions (Viewed from the direction A)
1	<b>1-pole, 2-position</b> 	

# SPPJ3 2.5mm-travel Compact-sized Horizontal Type

Detector

Slide

Push

Rotary

Power

Dual-in-line  
Package Type

Horizontal  
Type

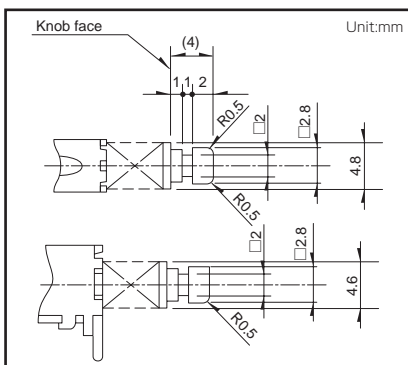
Vertical  
Type

## ■ Dimensions

Unit:mm

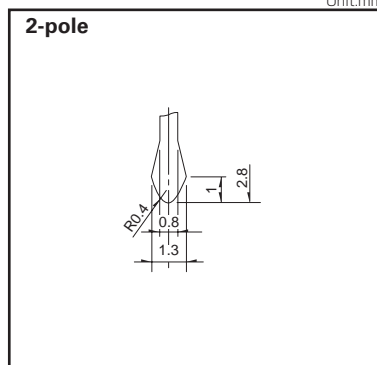
No.	Style	PC board mounting hole dimensions (Viewed from the direction A)
2	<p><b>2-pole, 2-position</b></p>	

## ■ Actuator Configuration at Front Edge



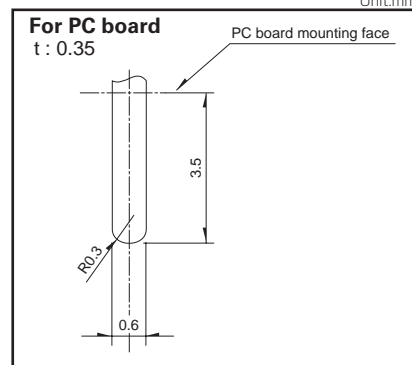
## ■ Detail of ①

Unit:mm

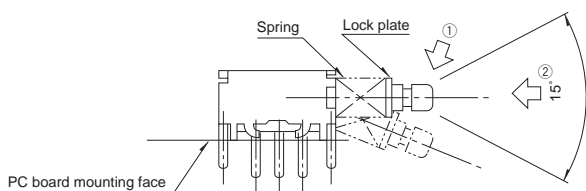
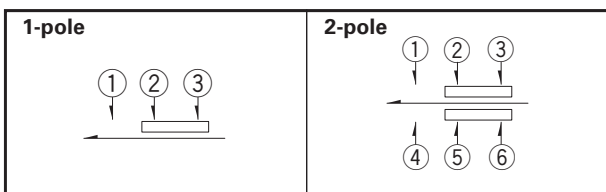


## ■ Terminal Configuration

Unit:mm



## ■ Circuit Diagram (Viewed from Direction A)



## Note

The SPPJ3 series should be operated in arrow 2 direction as shown in the following figure and applied within an angle of 15° based from the center. If excessive force is applied to the lever from arrow ① direction, it may fall down as illustrated and cause malfunctions.

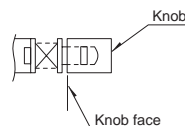
## ■ Knob Lineup

Unit:mm

Knob outline drawing	Model
	<p><b>UJ206022</b></p>











## Notes

We recommend the use of adhesive to secure the knob when mounting onto switches.



# Push Switches

## List of Varieties

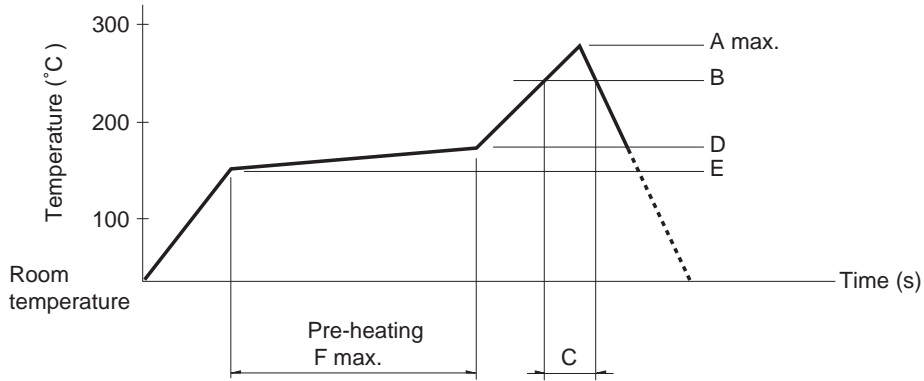
Series		Horizontal				
		SPPJ3	SPPJ2	SPUJ	SPUN	SPUN medium current
Photo						
Dimensions (mm)	W	5 or 6.6	7.2	7.5	10	
	D	12		15.2 22.7	24 36	
	H	8.3	9.6	8.8	13	
Travel (mm)		2.5		2	2.5	
Total travel (mm)		3.5		3	3.5	
Number of poles		1 2	2	2 4		
Operating temperature range		-40°C to +85°C		-10°C to +60°C		
Automotive use		●	●	—	—	—
Life cycle						
Rating (max.) (Resistive load)		0.2A 30V DC		0.1A 30V DC		1A 25V DC
Rating (min.) (Resistive load)		50μA 3V DC				—
Durability	Operating life without load	10,000 cycles 40mΩ max.			30,000 cycles 40mΩ max.	10,000 cycles 40mΩ max.
	Operating life with load (at max. rated load)	10,000 cycles 40mΩ max.			5,000 cycles 40mΩ max.	
Electrical performance	Initial contact resistance	20mΩ max.				
	Insulation resistance	100MΩ min. 500V DC				
	Voltage proof	500V AC for 1minute				
Mechanical performance	Terminal strength	5N for 1minute				
	Actuator strength	Operating direction	50N	30N	50N	
		Pulling direction	—	—	50N	
Environmental performance	Cold	-40°C 96h	-20°C 96h			
	Dry heat	85°C 96h				
	Damp heat	40°C, 90 to 95%RH 96h				
Page		111	113	115	117	

Push Switches Soldering Conditions	130
Push Switches Cautions	131

**Note**  
● Indicates applicability to all products in the series.

## Example of Reflow Soldering Condition

1. Heating method: Double heating method with infrared heater.
2. Temperature measurement: Thermocouple  $\phi$  0.1 to 0.2 CA (K) or CC (T) at soldering portion (copper foil surface). A heat resisting tape should be used for fixed measurement.
3. Temperature profile



Series (Reflow type)	A (°C) 3s max.	B (°C)	C (s)	D (°C)	E (°C)	F (s)
<b>SPEJ</b>	260	230	40	180	150	120
<b>SPEF</b>						
<b>SPEH</b>						

### Notes

1. The condition mentioned above is the temperature on the mounting surface of a PC board. There are cases where the PC board's temperature greatly differs from that of the switch, depending on the PC board's material, size, thickness, etc. The above-stated conditions shall also apply to switch surface temperatures.
2. Soldering conditions differ depending on reflow soldering machines. Prior verification of soldering condition is highly recommended.

## Reference for Hand Soldering

Series	Soldering temperature	Soldering time
<b>SPPJ3, SPPJ2, SPUN, SPUJ, SPPH4, SPPH1</b>	350±10°C	3+1/0s
<b>SPED2, SPED4</b>	350±10°C	3±0.5s
<b>SPEJ</b>	350±10°C	4s max.
<b>SPEF</b>	350±5°C	3s max.
<b>SPEH</b>	350°C max.	3s max.

## Reference for Dip Soldering

(For PC board terminal types)

Series	Items		Dip soldering	
	Preheating temperature	Preheating time	Soldering temperature	Duration of immersion
<b>SPPJ3</b>	100°C max.	60s max.	260±5°C	5±1s
<b>SPUN</b>	100°C max.	60s max.	260±5°C	10±1s
<b>SPUJ, SPPH4</b>	—	—	260±5°C	5±1s
<b>SPPJ2, SPPH1, SPED2, SPED4, SPEF</b>	—	—	260±5°C	10±1s

# Mouser Electronics

Authorized Distributor

Click to View Pricing, Inventory, Delivery & Lifecycle Information:

[Alps Alpine:](#)

[SPPJ310500](#) [SPPJ311500](#) [SPPJ320600](#) [SPPJ322300](#)