



Is Now Part of



ON Semiconductor®

To learn more about ON Semiconductor, please visit our website at
www.onsemi.com

ON Semiconductor and the ON Semiconductor logo are trademarks of Semiconductor Components Industries, LLC dba ON Semiconductor or its subsidiaries in the United States and/or other countries. ON Semiconductor owns the rights to a number of patents, trademarks, copyrights, trade secrets, and other intellectual property. A listing of ON Semiconductor's product/patent coverage may be accessed at www.onsemi.com/site/pdf/Patent-Marking.pdf. ON Semiconductor reserves the right to make changes without further notice to any products herein. ON Semiconductor makes no warranty, representation or guarantee regarding the suitability of its products for any particular purpose, nor does ON Semiconductor assume any liability arising out of the application or use of any product or circuit, and specifically disclaims any and all liability, including without limitation special, consequential or incidental damages. Buyer is responsible for its products and applications using ON Semiconductor products, including compliance with all laws, regulations and safety requirements or standards, regardless of any support or applications information provided by ON Semiconductor. "Typical" parameters which may be provided in ON Semiconductor data sheets and/or specifications can and do vary in different applications and actual performance may vary over time. All operating parameters, including "Typicals" must be validated for each customer application by customer's technical experts. ON Semiconductor does not convey any license under its patent rights nor the rights of others. ON Semiconductor products are not designed, intended, or authorized for use as a critical component in life support systems or any FDA Class 3 medical devices or medical devices with a same or similar classification in a foreign jurisdiction or any devices intended for implantation in the human body. Should Buyer purchase or use ON Semiconductor products for any such unintended or unauthorized application, Buyer shall indemnify and hold ON Semiconductor and its officers, employees, subsidiaries, affiliates, and distributors harmless against all claims, costs, damages, and expenses, and reasonable attorney fees arising out of, directly or indirectly, any claim of personal injury or death associated with such unintended or unauthorized use, even if such claim alleges that ON Semiconductor was negligent regarding the design or manufacture of the part. ON Semiconductor is an Equal Opportunity/Affirmative Action Employer. This literature is subject to all applicable copyright laws and is not for resale in any manner.



FR015L3EZ (15mΩ, -20V) Low-Side Reverse Bias / Reverse Polarity Protector

Features

- Up to -20V Reverse-Bias Protection
- Nano Seconds of Reverse-Bias Blocking Response Time
- +12V 24-Hour “Withstand” Rating
- 15mΩ Typical Series Resistance at 3.0V
- 18mΩ Typical Series Resistance at 2.1V
- Integrated TVS Over Voltage Suppression
- MicroFET2x2mm Package Size
- RoHs Compliant
- USB V_{BUS} Compatible

Applications

- 3V+ Battery Operated Systems
- Reverse Battery Protection
- 2 to 5 Cell Alkaline Battery Operated Systems
- USB 1.0, 2.0 and 3.0 Devices
- USB Charging
- Mobile Devices
- Mobile Medical
- Toys
- Any DC Barrel Jack Powered Device
- Any DC Devices subject to Negative Hot Plug or Inductive Transients

Description

Reverse bias is an increasingly common fault event that may be generated by user error, improperly installed batteries, automotive environments, erroneous connections to third-party chargers, negative “hot plug” transients, inductive transients, and readily available negatively biased rouge USB chargers.

Fairchild circuit protection is proud to offer a new type of reverse bias protection devices. The FR devices are low resistance, series switches that, in the event of a reverse bias condition, shut off power and block the negative voltage to help protect downstream circuits.

The FR devices are optimized for the application to offer best in class reverse bias protection and voltage capabilities while minimizing size, series voltage drop, and normal operating power consumption.

In the event of a reverse bias application, FR015L3EZ devices effectively provide a full voltage block and can easily protect -0.3V rated silicon.

From a power perspective, in normal bias, a 15mΩ FR device in a 0.1A application will generate only 1.5mV of voltage drop or 0.15mW of power loss. In reverse bias, FR devices dissipate less than 10μW in a 3V reverse bias event. This type of performance is not possible with a diode solution.

Benefits extend beyond the device. Due to low power dissipation, not only is the device small, but heat sinking requirements and cost can be minimized as well.

Ordering Information

Part Number	Operating Temperature Range	Top Mark	Package	Packing Method
FR015L3EZ	-55°C ~ 125°C	019L	6-Lead, Molded Leadless Package (MLP), Dual, Non-JEDEC, 2mm Square, Single-Tied DAP	3000 on Tape & Reel; 7-inch Reel, 12mm Tape

Diagrams

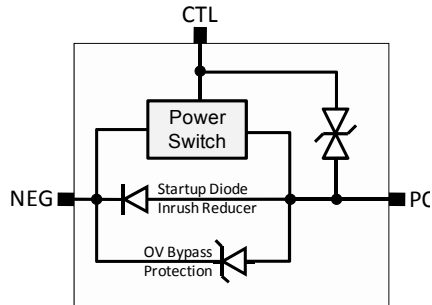


Figure 1. Block Diagram

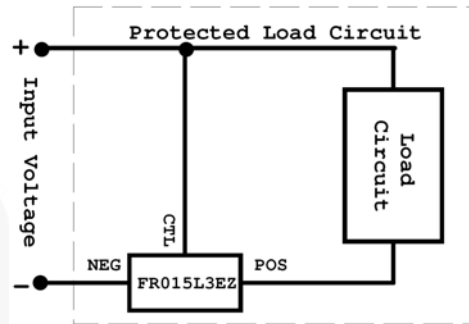
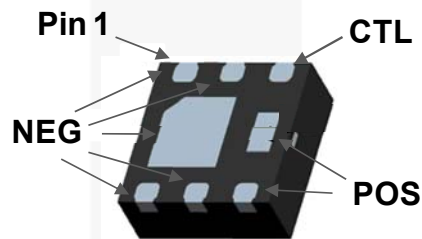


Figure 2. Typical Schematic

Pin Configuration



MicroFET 2x2 mm

Figure 3. Pin Assignments

Pin Definitions

Name	Pin	Description
POS	4	The ground of the load circuit to be protected. Current flows into this pin during normal bias operation.
CTL	3	The control pin of the device. A positive voltage on this pin with regard to NEG pin turns the switch on and a negative voltage turns the switch to a high impedance state.
NEG	1, 2, 5, 6	The ground of the input power source. Current flows out of this pin during normal bias operation.

Absolute Maximum Ratings

Values are at $T_A=25^\circ\text{C}$ unless otherwise noted.

Stresses exceeding the absolute maximum ratings may damage the device. The device may not function or be operable above the recommended operating conditions and stressing the parts to these levels is not recommended. In addition, extended exposure to stresses above the recommended operating conditions may affect device reliability. The absolute maximum ratings are stress ratings only.

Symbol	Parameter		Value	Unit		
$V_{+ \text{ MAX_OP}}$	Steady-State Normal Operating Voltage between CTL and NEG Pins ($V_{\text{IN}} = V_{+ \text{ MAX_OP}}$, $I_{\text{IN}} = 1.5\text{A}$, Switch On)		+8	V		
$V_{+ 24}$	24-Hour Normal Operating Voltage Withstand Capability between CTL and NEG Pins ($V_{\text{IN}} = V_{+ 24}$, $I_{\text{IN}} = 1.5\text{A}$, Switch On) ⁽¹⁾		12			
$V_{- \text{ MAX_OP}}$	Steady-State Reverse Bias Standoff Voltage between CTL and NEG Pins ($V_{\text{IN}} = V_{- \text{ MAX_OP}}$)		-20			
I_{IN}	Input Current	$V_{\text{IN}} = 3\text{V}$, Continuous ⁽²⁾ (see Figure 4)	8	A		
T_{J}	Operating Junction Temperature		150	$^\circ\text{C}$		
P_{D}	Power Dissipation	$T_A = 25^\circ\text{C}$ ⁽²⁾ (see Figure 4)	2.4	W		
		$T_A = 25^\circ\text{C}$ ⁽²⁾ (see Figure 5)	0.9			
$I_{\text{DIODE_CONT}}$	Steady-State Diode Continuous Forward Current from POS to NEG		2	A		
$I_{\text{DIODE_PULSE}}$	Pulsed Diode Forward Current from POS to NEG (300 μs Pulse)		190			
ESD	Electrostatic Discharge Capability	Human Body Model, JESD22-A114		2500	V	
		Charged Device Model, JESD22-C101		2000		
		System Model, IEC61000-4-2	POS is shorted to CTL	Contact		5000
				Air		7000
			No external connection between POS and CTL	Contact		300
				Air		3000

Notes:

- The V_{+24} rating is NOT a survival guarantee. It is a statistically calculated survivability reference point taken on qualification devices, where the predicted failure rate is less than 0.01% at the specified voltage for 24 hours. It is intended to indicate the device's ability to withstand transient events that exceed the recommended operating voltage rating. Specification is based on qualification devices tested using accelerated destructive testing at higher voltages, as well as production pulse testing at the V_{+24} level. Production device field life results may vary. Results are also subject to variation based on implementation, environmental considerations, and circuit dynamics. Systems should never be designed with the intent to normally operate at V_{+24} levels. Contact Fairchild Semiconductor for additional information.
- The device power dissipation and thermal resistance (R_{θ}) are characterized with device mounted on the following FR4 printed circuit boards, as shown in Figure 4 and Figure 5



Figure 4. 1 Square Inch of 2-ounce copper

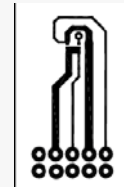


Figure 5. Minimum Pads of 2-ounce Copper

Thermal Characteristics

Symbol	Parameter	Value	Unit
$R_{\theta\text{JA}}$	Thermal Resistance, Junction to Ambient ⁽²⁾ (see Figure 4)	60	$^\circ\text{C/W}$
$R_{\theta\text{JA}}$	Thermal Resistance, Junction to Ambient ⁽²⁾ (see Figure 5)	150	

Electrical Characteristics

Values are at $T_A = 25^\circ\text{C}$ unless otherwise noted.

Symbol	Parameter	Conditions	Min.	Typ.	Max.	Unit
Positive Bias Characteristics						
R_{ON}	Device Resistance, Switch On	$V_{IN} = +1.7\text{V}, I_{IN} = 1.5\text{A}$		22	30	m Ω
		$V_{IN} = +2.1\text{V}, I_{IN} = 1.5\text{A}$		18	25	
		$V_{IN} = +3\text{V}, I_{IN} = 1.5\text{A}$		15	20	
		$V_{IN} = +5\text{V}, I_{IN} = 1.5\text{A}$		14	19	
		$V_{IN} = +3\text{V}, I_{IN} = 1.5\text{A}, T_J = 125^\circ\text{C}$		22	30	
V_{ON}	Input Voltage, V_{IN} , at which Voltage at POS, V_{POS} , Reaches a Certain Level at Given Current	$I_{IN} = 100\text{mA}, V_{POS} = 50\text{mV}, V_{NEG} = 0\text{V}$	0.7	1.0	1.3	V
$\Delta V_{ON} / \Delta T_J$	Temperature Coefficient of V_{ON}			-1.7		mV/ $^\circ\text{C}$
I_{DIODE_CONT}	Continuous Diode Forward Current	$V_{CTL} = V_{POS}$			2	A
V_F	Diode Forward Voltage	$V_{CTL} = V_{POS}, I_{DIODE} = 3\text{A},$ Pulse width < 300 μs	0.65	0.80	0.95	V
I_{BIAS}	Bias Current Flowing out of NEG Pin during Normal Bias Operation	$V_{CTL} = 8\text{V}, V_{NEG} = 0\text{V},$ No Load			10	μA
Negative Bias Characteristics						
V_{-MAX_OP}	Reverse Bias Breakdown Voltage				-20	V
$\Delta V_{-MAX_OP} / \Delta T_J$	Reverse Bias Breakdown Voltage Temperature Coefficient	$I_{IN} = -250\mu\text{A}, V_{CTL} = V_{POS} = 0\text{V}$		16		mV/ $^\circ\text{C}$
I_{-}	Leakage Current from NEG to POS in Reverse-Bias Condition	$V_{NEG} = 16\text{V},$ $V_{CTL} = V_{POS} = 0\text{V}$			1	μA
t_{RN}	Time to Respond to Negative Bias Condition	$V_{NEG} = 2.7\text{V}, V_{CTL} = 0\text{V},$ $C_{LOAD} = 10\mu\text{F},$ Reverse Bias Startup Inrush Current = 0.2A			50	ns
Integrated TVS Performance						
V_Z	Breakdown Voltage @ I_T	$I_T = 1\text{mA}$	12	13	14.5	V
I_R	Leakage Current from CTL to POS, NEG is Open	$V_{CTL} - V_{POS} = 8\text{V}$		2	10	μA
		$V_{CTL} - V_{POS} = -8\text{V}$		-2	-10	
I_{PPM}	Max Pulse Current from CTL to POS	IEC61000-4-5 8x20 μs pulse, NEG is Open	$V_{CTL} > V_{POS}$		0.6	A
			$V_{CTL} < V_{POS}$		0.4	
V_C	Clamping Voltage form CTL to POS		$V_{CTL} > V_{POS}$		15.0	V
			$V_{CTL} < V_{POS}$		14.3	
Dynamic Characteristics						
C_i	Input Capacitance between CTL and NEG			900		pF
C_s	Switch Capacitance between POS and NEG	$V_{IN} = 3\text{V}, V_{NEG} = V_{POS} = 0\text{V},$ $f = 1\text{MHz}$		133		
C_o	Output Capacitance between CTL and POS			967		
R_C	Control Internal Resistance			2		Ω

Typical Characteristics

$T_J = 25^\circ\text{C}$ unless otherwise specified.

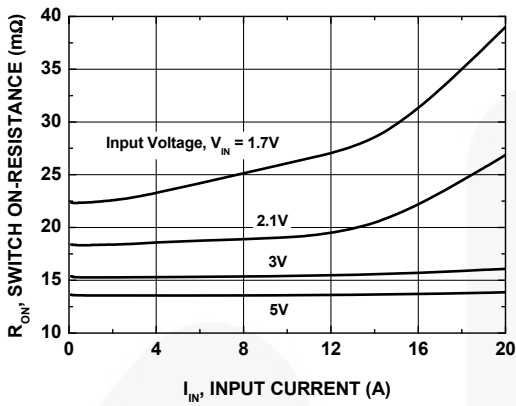


Figure 6. Switch On Resistance vs. Switch Current

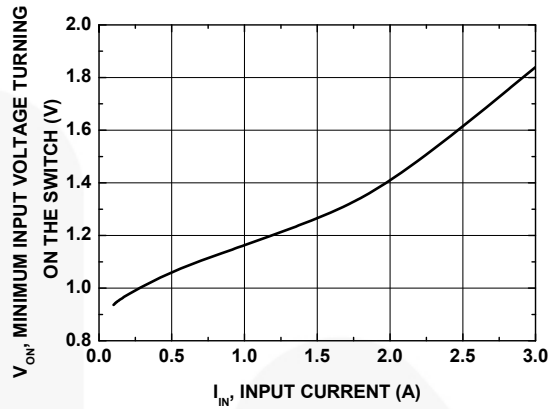


Figure 7. Minimum Input Voltage to Turn On Switch vs. Current at 50mV Switch Voltage Drop

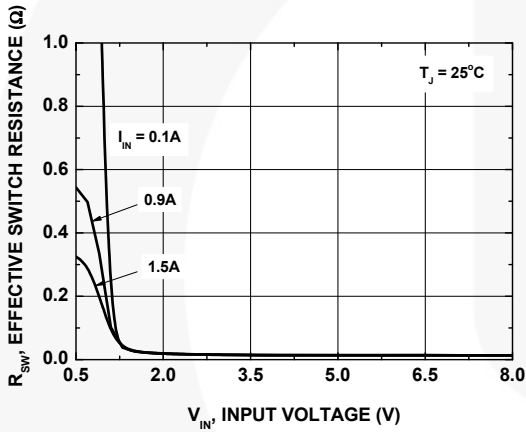


Figure 8. Effective Switch Resistance R_{SW} vs. Input Voltage V_{IN}

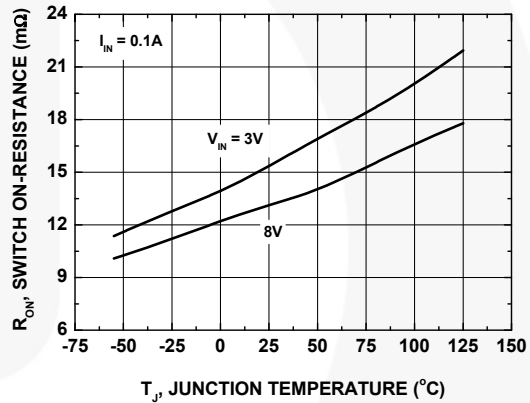


Figure 9. Switch On Resistance vs. Junction Temperature at 0.1A

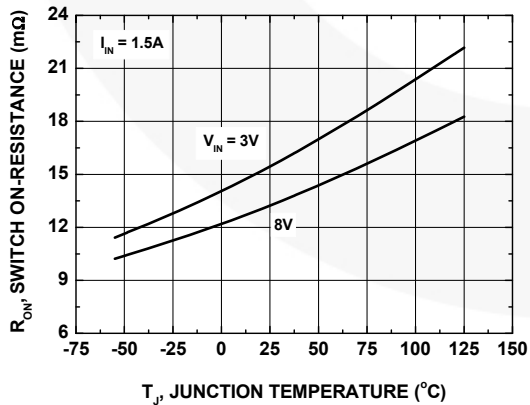


Figure 10. Switch On Resistance vs. Junction Temperature at 1.5A

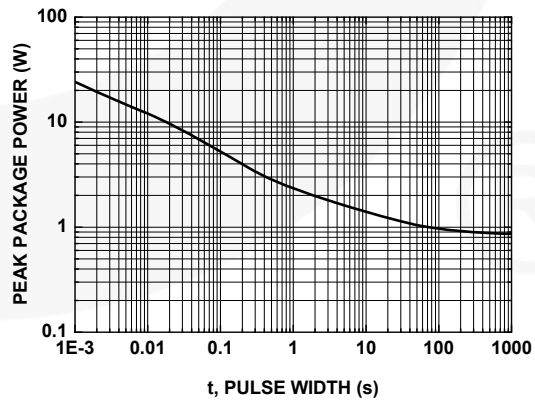


Figure 11. Single-Pulse Maximum Power vs. Time

Typical Characteristics (Continued)

$T_J = 25^\circ\text{C}$ unless otherwise specified.

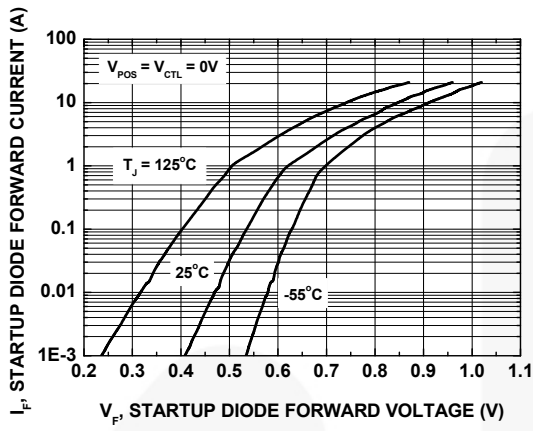


Figure 12. Startup Diode Current vs. Forward Voltage

Application Test Configurations

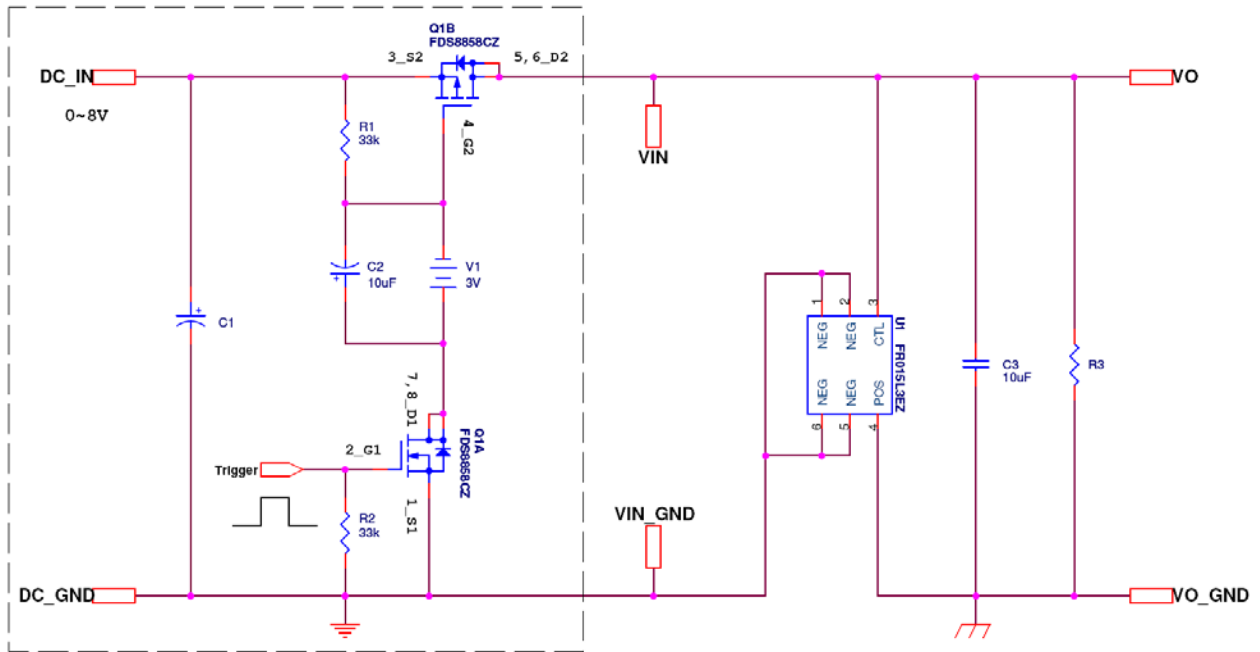


Figure 13. Startup Test Circuit – Normal Bias with FR015L3EZ Device

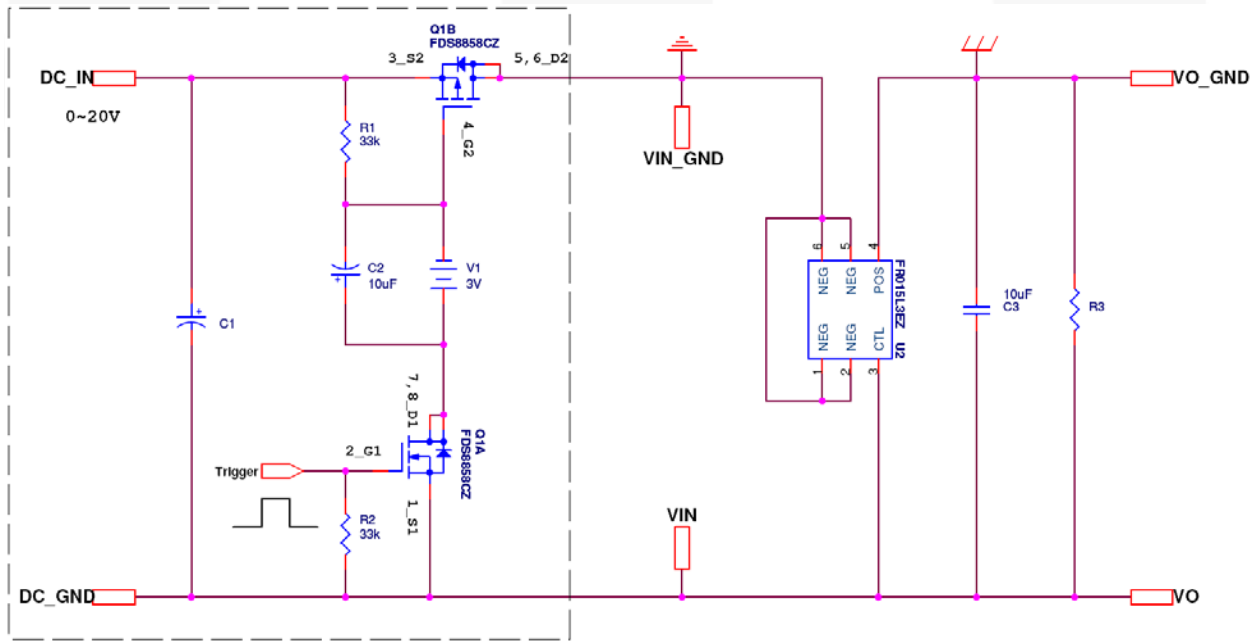


Figure 14. Startup Test Circuit – Reverse Bias with FR015L3EZ Device

Application Test Configurations

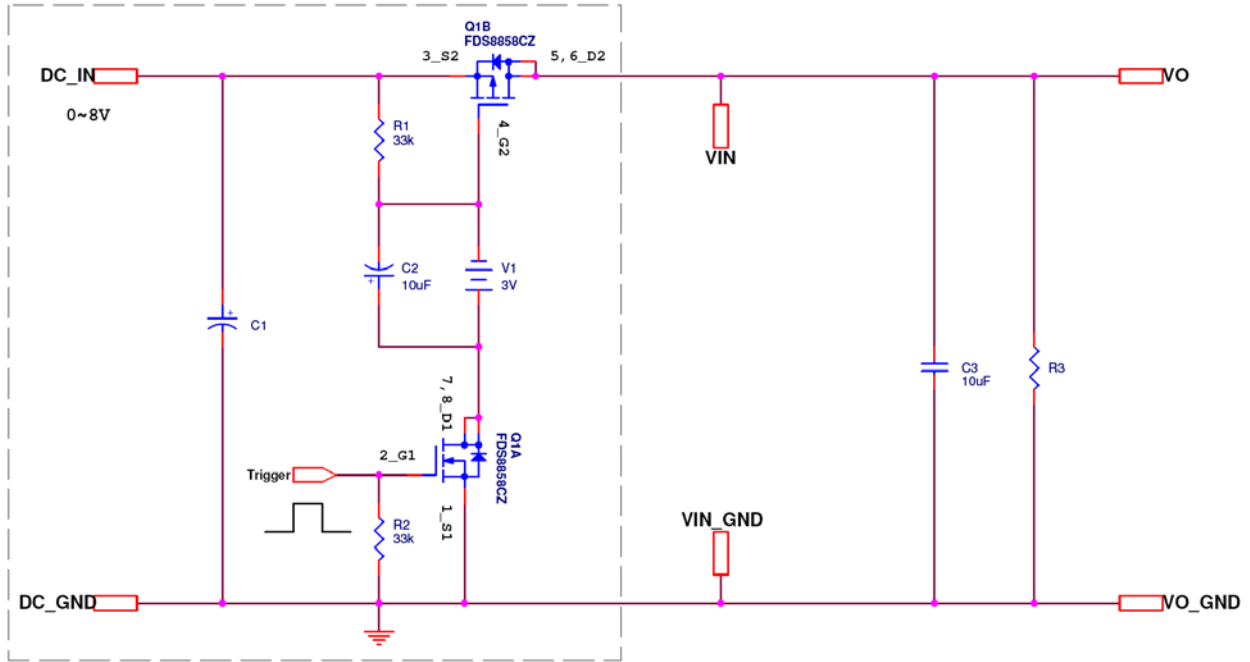


Figure 15. Startup Test Circuit – No Reverse Polarity Protection

Typical Application Waveforms

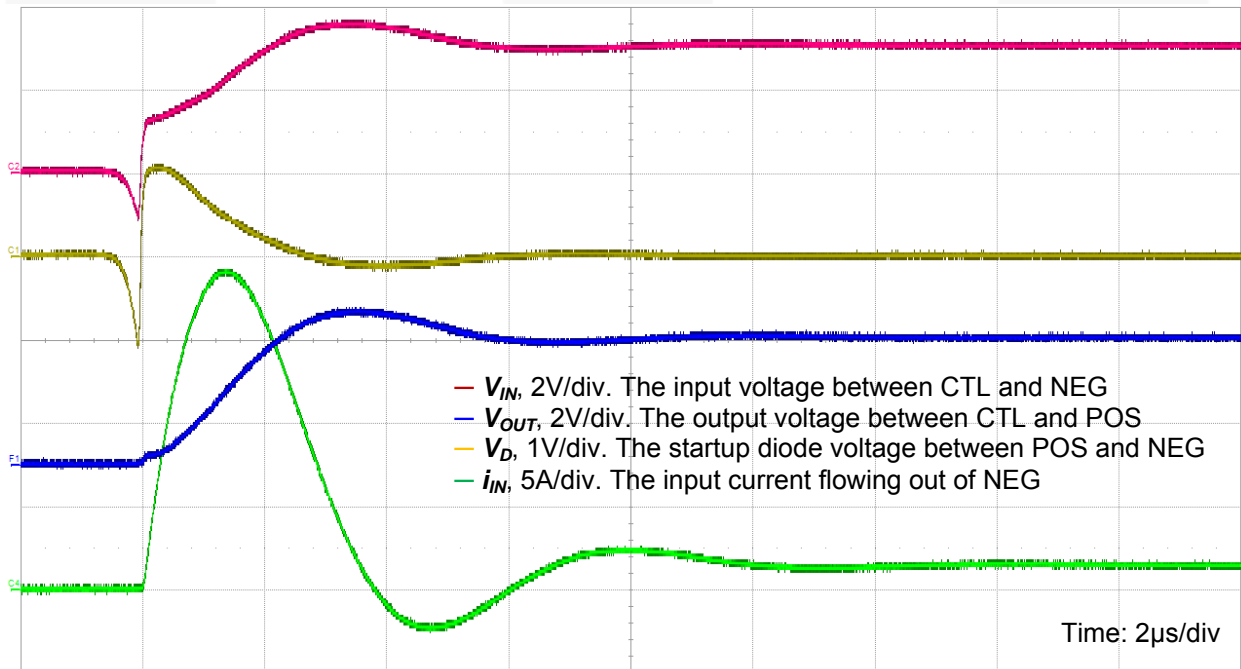


Figure 16. Normal Bias Startup Waveform, $V_{IN}=3V$, $V_1=3V$, $C_1=5200\mu F$, $C_2=C_3=10\mu F$, $R_1=R_2=33k\Omega$, $R_3=2\Omega$

Typical Application Waveforms (Continued)

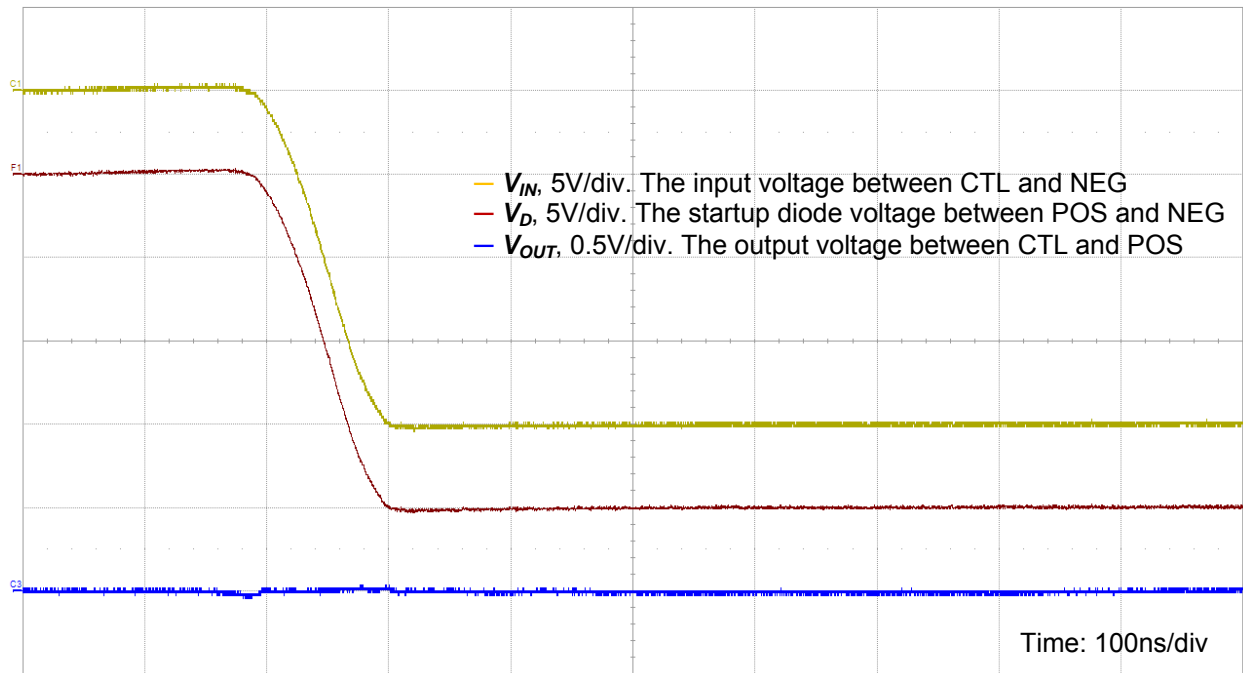


Figure 17. Reverse Bias Startup Waveform, $V_{IN}=3V$, $V_1=3V$, $C_1=5200\mu F$, $C_2=C_3=10\mu F$, $R_1=R_2=33k\Omega$, $R_3=2\Omega$

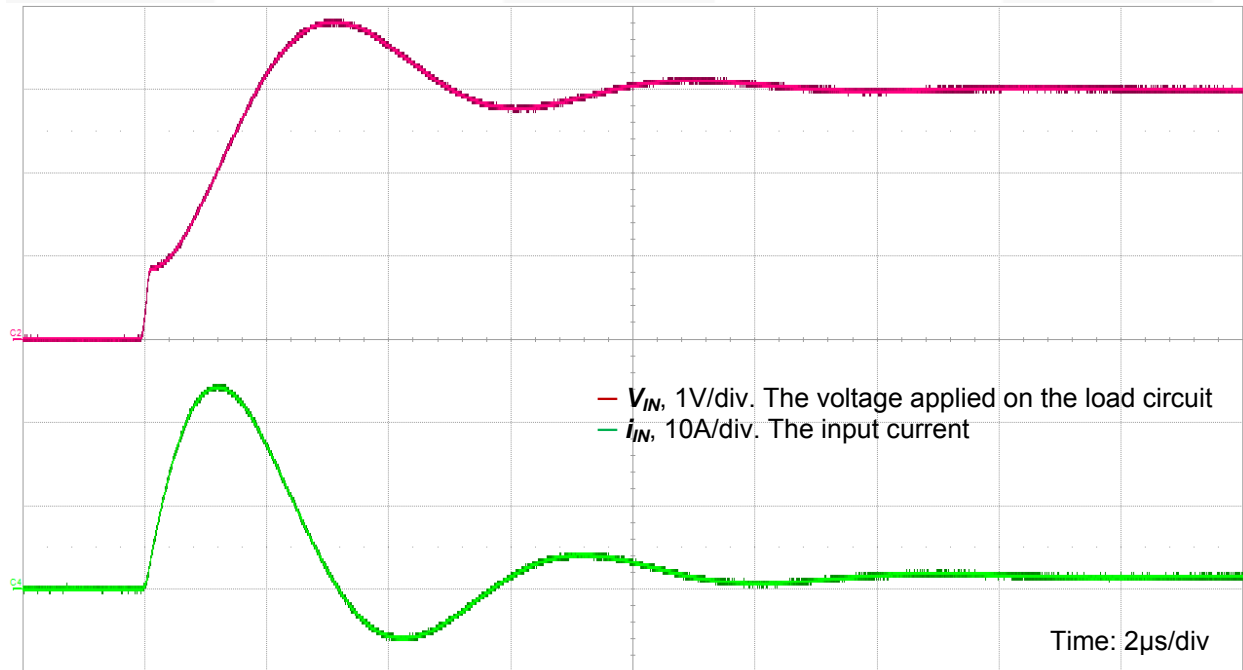


Figure 18. Startup Waveform without FR015L3EZ Device, $V_{IN}=3V$, $V_1=3V$, $C_1=5200\mu F$, $C_2=C_3=10\mu F$, $R_1=R_2=33k\Omega$, $R_3=2\Omega$

Application Information

The FR015L3EZ is capable of being turned on at a voltage as low as 1.5V, therefore is especially suitable for low voltage application like AA, AAA or single lithium-ion battery operated devices. The voltage and current waveforms in Figure 16 and Figure 18 are both captured with a 2Ω load at 3V input.

When the DC power source is connected to the circuit (refer to Figure 1 and Figure 2), the built-in startup diode initially conducts the current such that the load circuit powers up. Due to the initial diode voltage drop, the FR015L3EZ effectively reduces the peak inrush current of a hot plug event. Under these test conditions, the input inrush current reaches about 19A peak. While the current flows, the input voltage increases. The speed of this input voltage increase depends on the time constant formed by the load resistance R_3 and load capacitance C_3 , assuming the input voltage source holds itself during turn on. The larger the time constant, the slower the input voltage increase. As the input voltage approaches a level equal to the protector's turn-on voltage, V_{ON} , the protector turns on and operates in Low-Resistance Mode as defined by V_{IN} and operating current I_{IN} .

In the event of a negative voltage transient between CTL and NEG, or when the DC power source, V_{IN} , is reversely connected to the circuit, while no residual voltage presents between CTL and POS, the device blocks the flow of current and holds off the voltage, thereby protecting the load circuit. Figure 17 shows the startup waveforms while a passive load circuit is reversely biased. It can be clearly seen that the output voltage is near 0 or at a level that is harmless to the load circuit.

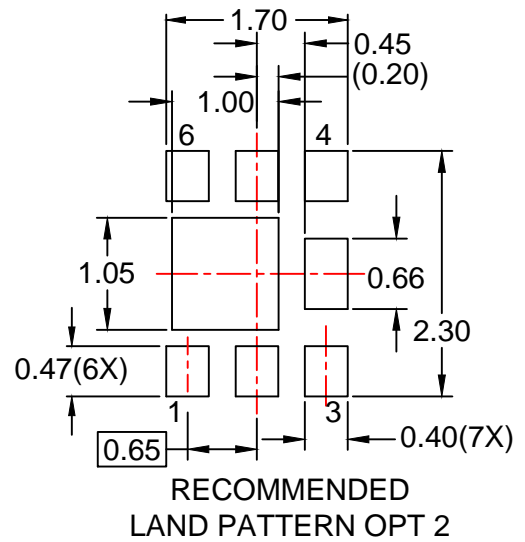
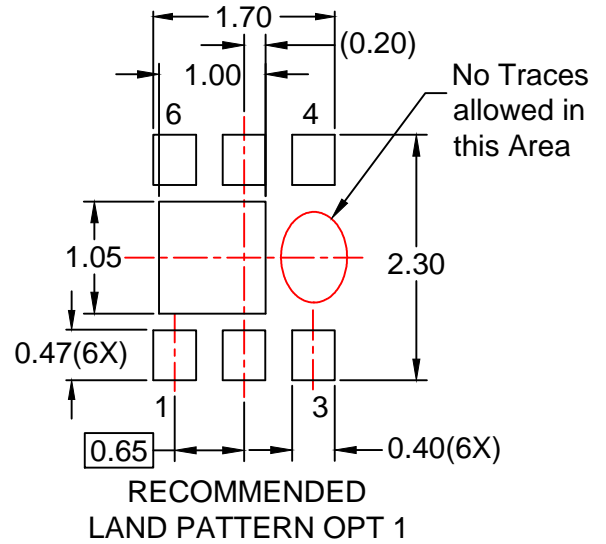
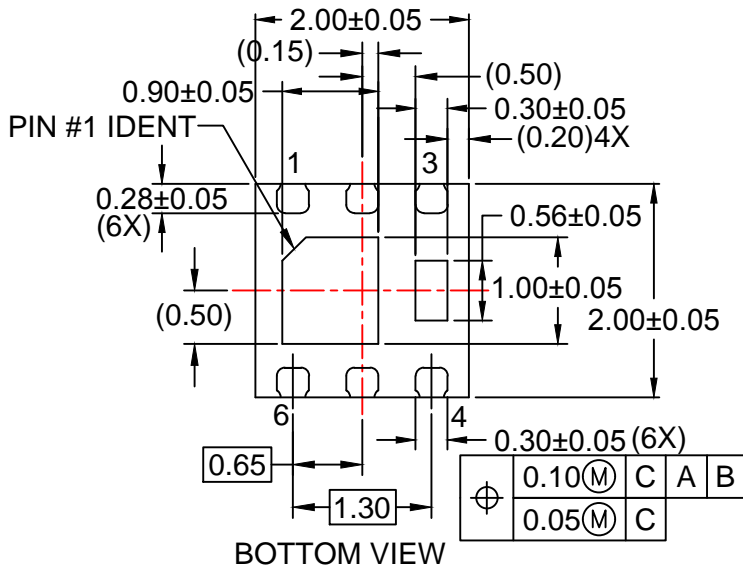
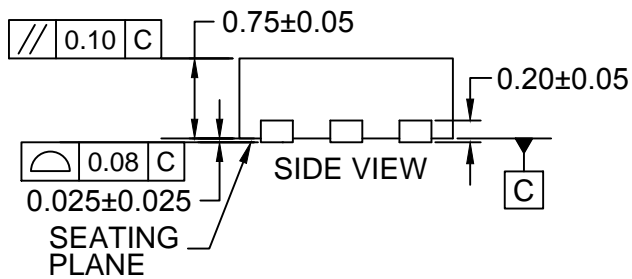
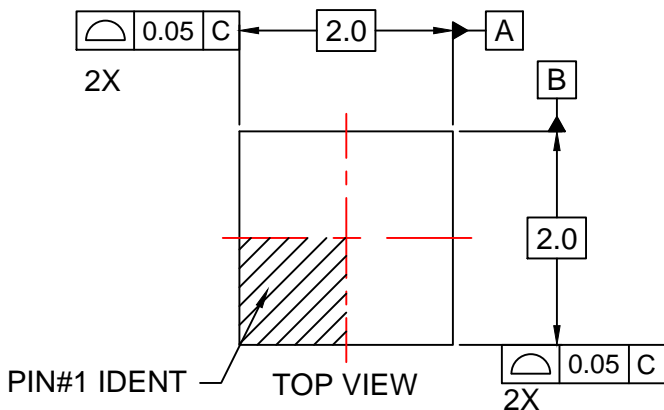
Figure 18 shows the voltage and current waveforms when no reverse bias protection is implemented. In

Figure 16, while the reverse bias protector is present, the input voltage, V_{IN} , and the output voltage, V_O , are separated and look different. When this reverse bias protector is removed, V_{IN} and V_O merge, as shown in Figure 18 as V_{IN} . This V_{IN} is also the voltage applied to the load circuit. It can be seen that, with reverse bias protection, the voltage applied to the load and the current flowing into the load look very much the same as without reverse bias protection.

In Figure 16, negative voltage spikes are seen on V_{IN} and V_D before V_{IN} starts to rise from 0; and in both Figures 16 and 18, negative input current is seen after FR015L3EZ is fully turned on. These phenomena are a combined effect of parasitic inductance and all the capacitors in the input voltage control circuit enclosed in the broken line as shown in Figures 13 to 15. This is not a problem as long as the load circuit doesn't see a negative voltage at anytime, which is what the reverse bias protector is meant for. Indeed, we can see from Figures 16 and 18, the output voltage on the load circuit is always equal to or greater than 0V.

Benefits of Reverse Bias Protection

The most important benefit is, of course, to prevent accidentally reverse-biased voltage from damaging the load circuit. Another benefit is that the peak startup inrush current can be reduced. How fast the input voltage rises, the input/output capacitance, the input voltage, and how heavy the load is determine how much the inrush current can be reduced. In this specific 3V / 2A application, for example, the inrush current has been reduced from 24A to 19A, a 21% reduction. This can offer a system designer the option of increasing C_3 while keeping "effective" load circuit capacitance down.



NOTES:

- A. PACKAGE DOES NOT FULLY CONFORM TO JEDEC MO-229 REGISTRATION
- B. DIMENSIONS ARE IN MILLIMETERS.
- C. DIMENSIONS AND TOLERANCES PER ASME Y14.5M, 2009.
- D. LAND PATTERN RECOMMENDATION IS EXISTING INDUSTRY LAND PATTERN.
- E. DRAWING FILENAME: MKT-MLP06Lrev4.



ON Semiconductor and  are trademarks of Semiconductor Components Industries, LLC dba ON Semiconductor or its subsidiaries in the United States and/or other countries. ON Semiconductor owns the rights to a number of patents, trademarks, copyrights, trade secrets, and other intellectual property. A listing of ON Semiconductor's product/patent coverage may be accessed at www.onsemi.com/site/pdf/Patent-Marking.pdf. ON Semiconductor reserves the right to make changes without further notice to any products herein. ON Semiconductor makes no warranty, representation or guarantee regarding the suitability of its products for any particular purpose, nor does ON Semiconductor assume any liability arising out of the application or use of any product or circuit, and specifically disclaims any and all liability, including without limitation special, consequential or incidental damages. Buyer is responsible for its products and applications using ON Semiconductor products, including compliance with all laws, regulations and safety requirements or standards, regardless of any support or applications information provided by ON Semiconductor. "Typical" parameters which may be provided in ON Semiconductor data sheets and/or specifications can and do vary in different applications and actual performance may vary over time. All operating parameters, including "Typicals" must be validated for each customer application by customer's technical experts. ON Semiconductor does not convey any license under its patent rights nor the rights of others. ON Semiconductor products are not designed, intended, or authorized for use as a critical component in life support systems or any FDA Class 3 medical devices or medical devices with a same or similar classification in a foreign jurisdiction or any devices intended for implantation in the human body. Should Buyer purchase or use ON Semiconductor products for any such unintended or unauthorized application, Buyer shall indemnify and hold ON Semiconductor and its officers, employees, subsidiaries, affiliates, and distributors harmless against all claims, costs, damages, and expenses, and reasonable attorney fees arising out of, directly or indirectly, any claim of personal injury or death associated with such unintended or unauthorized use, even if such claim alleges that ON Semiconductor was negligent regarding the design or manufacture of the part. ON Semiconductor is an Equal Opportunity/Affirmative Action Employer. This literature is subject to all applicable copyright laws and is not for resale in any manner.

PUBLICATION ORDERING INFORMATION

LITERATURE FULFILLMENT:

Literature Distribution Center for ON Semiconductor
19521 E. 32nd Pkwy, Aurora, Colorado 80011 USA
Phone: 303-675-2175 or 800-344-3860 Toll Free USA/Canada
Fax: 303-675-2176 or 800-344-3867 Toll Free USA/Canada
Email: orderlit@onsemi.com

N. American Technical Support: 800-282-9855 Toll Free
USA/Canada
Europe, Middle East and Africa Technical Support:
Phone: 421 33 790 2910
Japan Customer Focus Center
Phone: 81-3-5817-1050

ON Semiconductor Website: www.onsemi.com
Order Literature: <http://www.onsemi.com/orderlit>
For additional information, please contact your local
Sales Representative

Mouser Electronics

Authorized Distributor

Click to View Pricing, Inventory, Delivery & Lifecycle Information:

[Fairchild Semiconductor:](#)

[FR015L3EZ](#)